



# PARTS CATALOG

**R32**

Outdoor unit  
[Model Name]

SUZ-SM71VA

[Service Ref.]

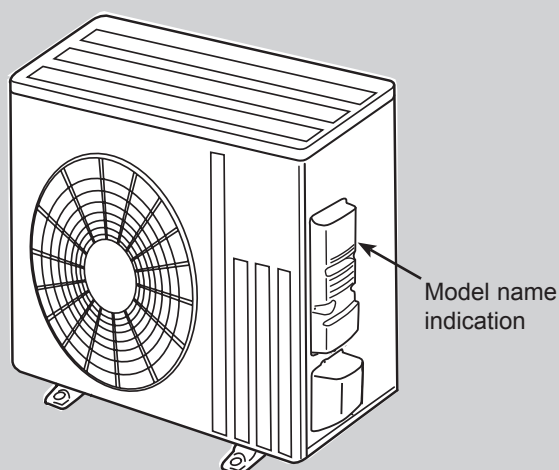
**SUZ-SM71VA.TH**

Revision:  
• Some descriptions have  
been modified in REVISED  
EDITION-A.

OCB706 is void.

## CONTENTS

1. SERVICE PARTS LIST.....	2
----------------------------	---



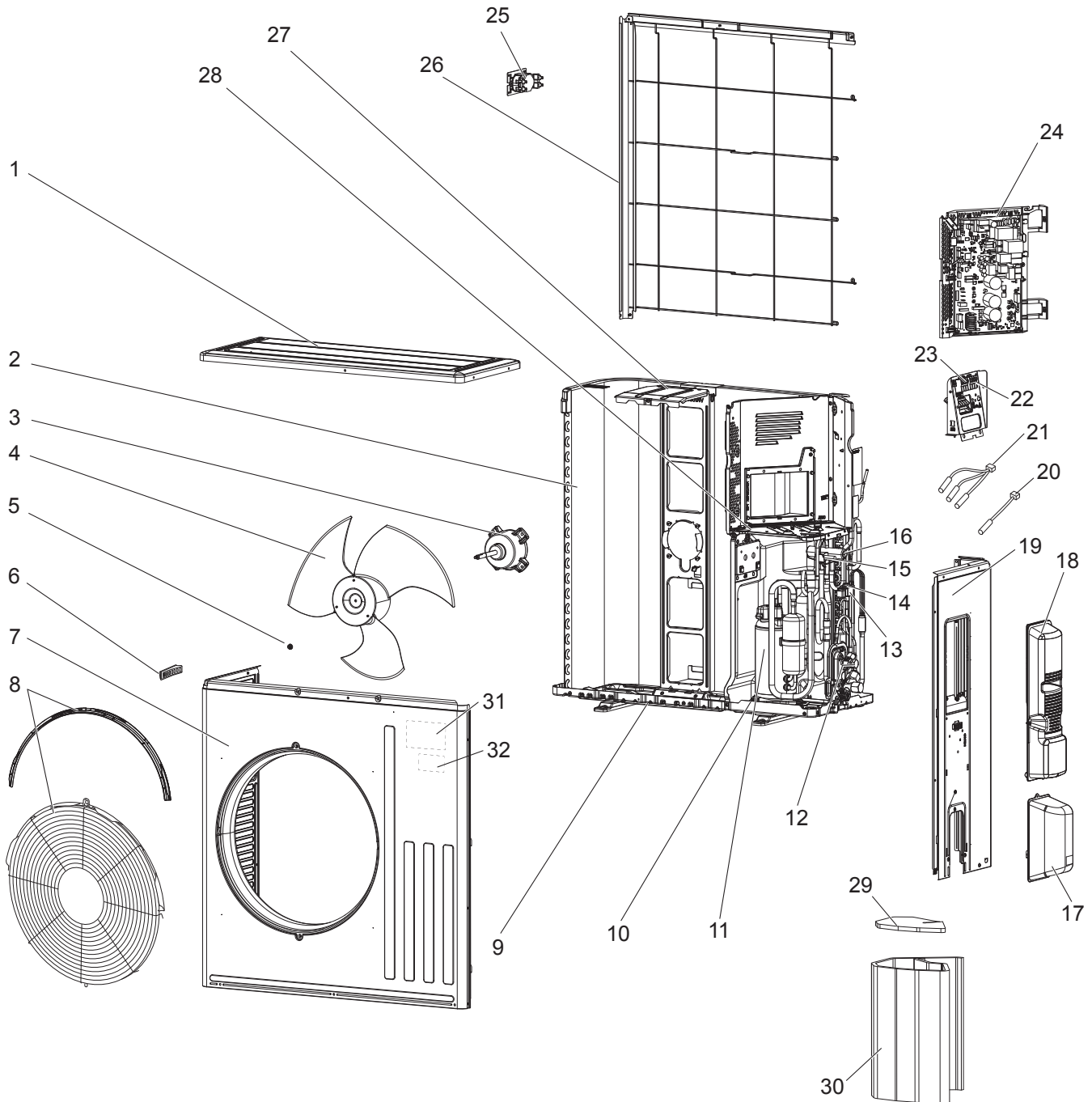
**SERVICE MANUAL (OCH706)**

# 1

# SERVICE PARTS LIST

SUZ-SM71VA.TH

OUTDOOR UNIT STRUCTURAL PARTS, ELECTRICAL PARTS AND FUNCTIONAL PARTS



## OUTDOOR UNIT STRUCTURAL PARTS, ELECTRICAL PARTS AND FUNCTIONAL PARTS

Part numbers that are circled are not shown in the illustration.

No.	Part No.	Part Name	Symbol in Wiring Diagram	Q'ty/unit	Remarks
				SUZ-SM71VA.TH	
1	E27 L07 297	TOP PANEL		1	
2	E27 M74 630	OUTDOOR HEAT EXCHANGER		1	
3	E22 F28 301	OUTDOOR FAN MOTOR	MF	1	
4	E22 F28 501	PROPELLER FAN		1	
5	E27 L05 508	PROPELLER FAN NUT		1	
6	E22 817 009	HANDLE		1	
7	E22 R13 232	CABINET		1	
8	E22 Y87 521	FAN GUARD		1	
9	E22 F28 290	BASE		1	
10	E22 C34 506	COMPRESSOR RUBBER MOUNT		3	3pcs/set
11	E22 R86 900	COMPRESSOR	MC	1	SVB172FCKMT
12	E27 P14 663	STOP VALVE ASSY		1	Includes STOP VALVES(LIQ, GAS)
13	E27 M74 645	EXPANSION VALVE ASSY		1	Includes LEV body, Capillary tube
14	E27 M74 493	EXPANSION VALVE COIL	LEV	1	
15	E22 R84 490	SOLENOID COIL	21S4	1	
16	E22 J44 961	4-WAY VALVE		1	
17	E22 F28 650	VALVE COVER		1	
18	E22 Y87 245	SERVICE PANEL		1	
19	E22 J52 233	BACK PANEL(OUT)		1	
20	E22 29F 309	THERMISTOR ASSY AMB	RT65	1	
21	E22 R84 308	THERMISTOR-T	RT61,RT62, RT68	1	
22	E22 F29 374	TERMINAL BLOCK	TB1	1	
23	E22 T16 374	TERMINAL BLOCK	TB2	1	
24	E27 P14 451	INVERTER P.C. BOARD		1	Includes HEAT SINK and RT64
25	E22 R84 337	REACTOR	L	1	
26	E22 L87 523	CONDENSER NET		1	
27	E22 F28 515	MOTOR SUPPORT		1	
28	E27 M74 293	SEPARATOR		1	
29	————	COMP FELT(TOP)		1	RK33J795H01
30	————	COMP FELT(BODY)		1	RK33J456H01
31	————	BRAND LABEL		1	DK79G041H02
32	————	BRAND LABEL		1	BT79L209H01
③③	————	ELECTRICAL PARTS BOX		1	SQ00J359G18
③④	————	LEAD ASSY COMP		1	BT78L236G01
③⑤	E22 F28 704	DRAIN SOCKET		1	
③⑥	E27 N04 250	T.ST SCREW		30	

**Mr. SLIM**

**mitsubishi electric corporation**

HEAD OFFICE: TOKYO BUILDING., 2-7-3, MARUNOUCHI, CHIYODA-KU, TOKYO100-8310, JAPAN

---