

**PARTS CATALOG**

**R32**

**Outdoor unit  
[Model Name]**

**PUZ-M200YKA2**

**PUZ-M250YKA2**

**[Service Ref.]**

**PUZ-M200YKA2.UK**

**PUZ-M200YKA2R1**

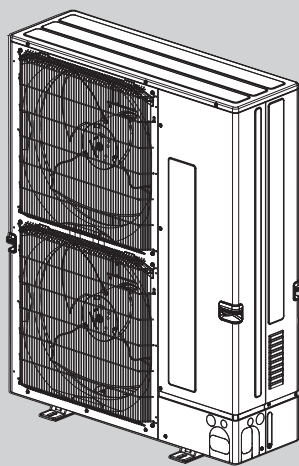
**PUZ-M250YKA2.UK**

**PUZ-M250YKA2R1**

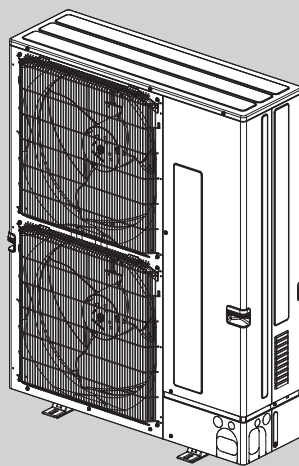
Revision:

- PUZ-M200YKA2R1 and  
PUZ-M250YKA2R1  
have been added  
in REVISED EDITION-A.

OCB775 is void.



**PUZ-M200YKA2.UK  
PUZ-M250YKA2.UK**



**PUZ-M200YKA2R1  
PUZ-M250YKA2R1**

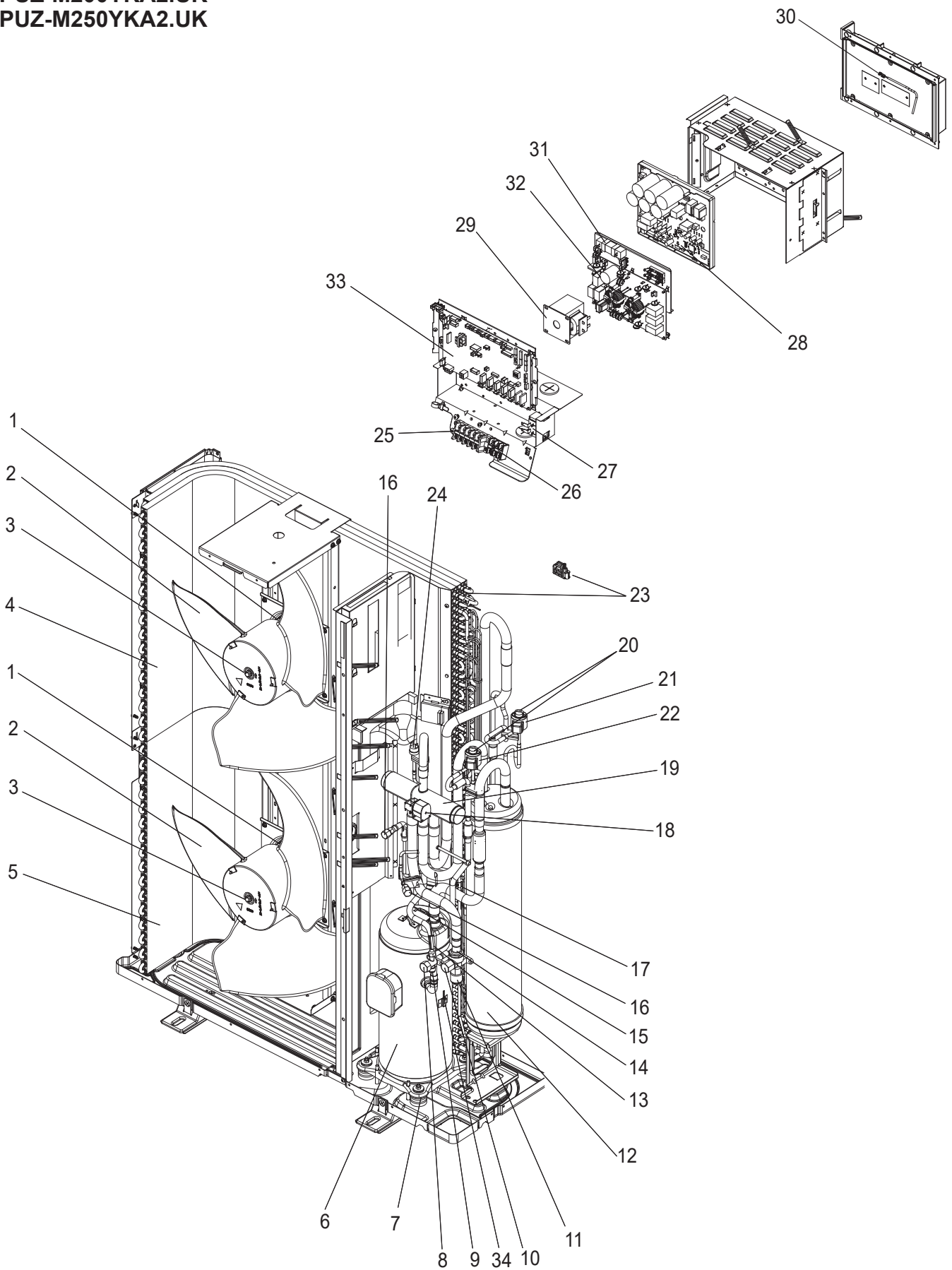
**CONTENTS**

1. SERVICE PARTS LIST ..... 2

**SERVICE MANUAL (OCH775)**

**FUNCTIONAL AND ELECTRICAL PARTS**

**PUZ-M200YKA2.UK**  
**PUZ-M250YKA2.UK**

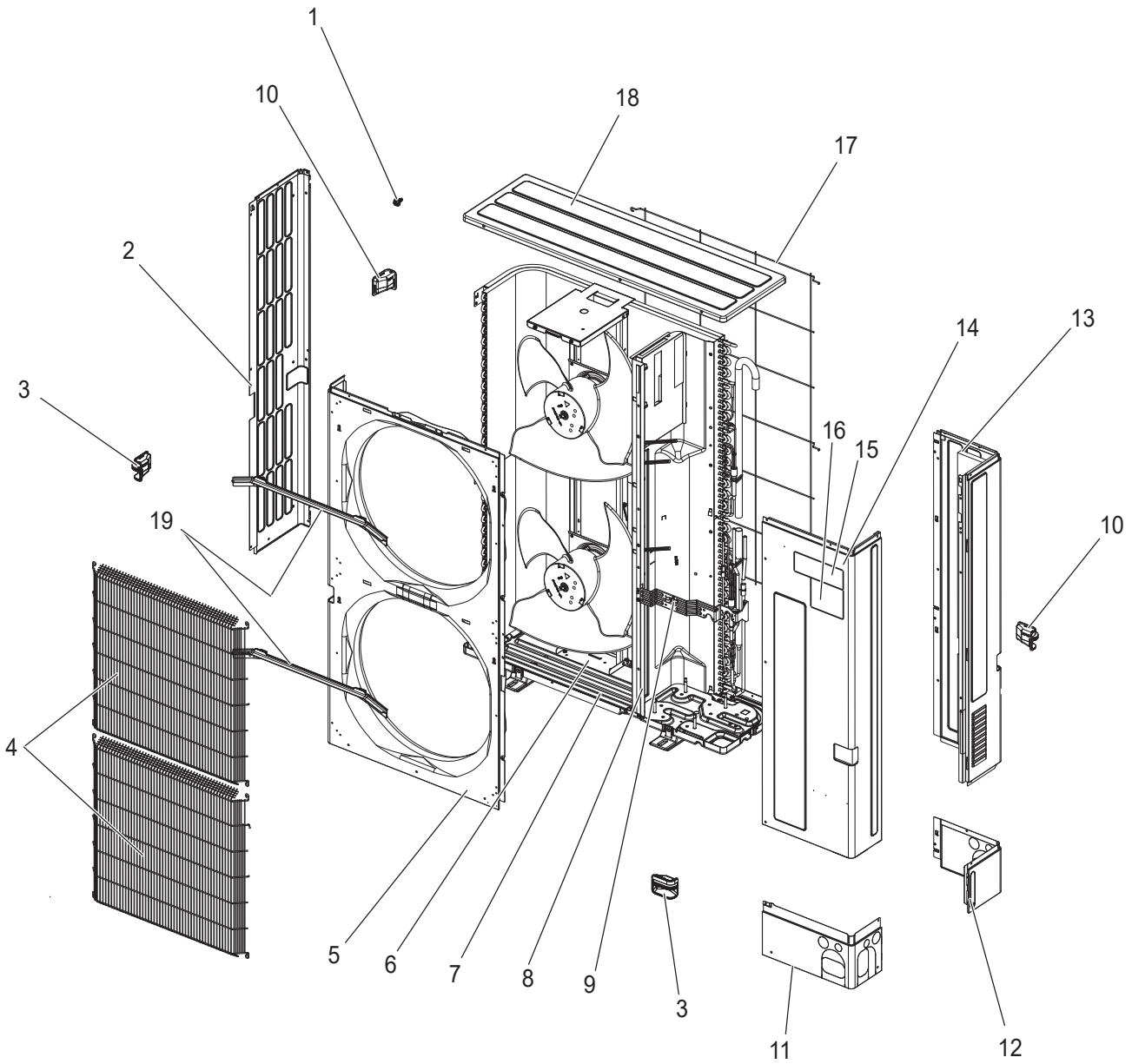


1. The part quantity below indicates the required number of pieces per unit.
2. The circled No. indicates that the part is not shown in the figure.

No.	Parts No.	Parts Name	PUZ-M200YKA2.UK	PUZ-M250YKA2.UK	Wiring Diagram Symbol	Remarks
1	S 7 0 E 9 6 7 6 3	FAN MOTOR	2	2	MF1, 2	
2	S 7 0 E 5 0 1 1 5	PROPELLER FAN	2	2		
3	S 7 0 K 0 1 0 9 7	NUT	2	2		
4	S 7 0 E 2 0 4 0 8	HEAT EXCHANGER (TOP)	1			
4	S 7 0 E 3 6 4 0 8	HEAT EXCHANGER (TOP)		1		
5	S 7 0 E 2 1 4 0 8 H	HEAT EXCHANGER (UNDER)	1			
5	S 7 0 E 3 7 4 0 8 H	HEAT EXCHANGER (UNDER)		1		
6	S 7 0 E 4 5 4 0 0	COMPRESSOR	1	1	MC	AVB52FBAMT
7	S 7 0 E 0 2 0 0 4	RUBBER MOUNT	4	4		
8	S 7 0 6 0 0 4 1 8	STOP VALVE (LIQUID)	1			3/8'
8	S 7 0 7 0 0 4 1 8	STOP VALVE (LIQUID)		1		1/2'
9	S 7 0 E 1 7 0 9 7	FLARE NUT	1			3/8"
9	S 7 0 0 B 1 0 9 7	FLARE NUT		1		1/2"
10	S 7 0 E 0 8 4 1 1	BALL VALVE (GAS)	1	1		3/4'
11	S 7 0 E 1 6 0 9 7	FLARE NUT GAS	1	1		3/4'
12	S 7 0 E 2 5 4 4 0	POWER RECEIVER	1	1		
13	S 7 0 E 5 7 2 0 2	THERMISTOR	1	1	TH4 (Discharge)	1180
14	S 7 0 4 2 L 4 5 0	STRAINER	1	1		50#
15	S 7 0 E 8 2 2 0 2	THERMISTOR	1	1	TH33 (Comp. surface)	
16	S 7 0 E 0 2 4 1 3	CHARGE PLUG	2	2		
17	S 7 0 E 5 8 2 0 2	THERMISTOR-H	1	1	TH3 (Liquid)	1150/XAP
18	S 7 0 E 2 6 2 4 2	SOLENOID COIL	1	1	21S4	
19	S 7 0 E 0 6 4 0 3	REVERSING VALVE	1	1		
20	S 7 0 E 9 7 4 0 1	EXPANSION VALVE	2	2	LEV-A/B	UKV-40D352
21	S 7 0 E 3 0 4 0 2	LINEAR EXPANSION VALVE COIL	1	1	LEV-A (WHITE)	UKV-A277
22	S 7 0 E 4 0 4 0 2	LINEAR EXPANSION VALVE COIL	1	1	LEV-B (RED)	UKV-A358
23	S 7 0 E 3 1 2 0 2	THERMISTOR-W	1	1	TH6 (Ambient) TH7 (2-phase pipe)	850/105
24	S 7 0 E 1 0 2 0 8 H	HIGH PRESSURE SWITCH	1	1	63H	OFF 4.14 MPa
25	S 7 0 E 0 9 7 1 6	TERMINAL BED	1	1	TB1	5P (L1,L2,L3 N,E)
26	S 7 0 E 0 8 7 1 6	TERMINAL BED	1	1	TB2	3P (S1,S2,S3)
27	S 7 0 K 6 5 2 5 9	REACTOR	1	1	ACL4	
28	S 7 0 M 2 0 3 1 3	POWER BOARD	1	1	P.B.	
29	S 7 0 K 5 5 2 5 9	REACTOR	1	1	DCL	
30	S 7 0 E 5 5 2 0 2	THERMISTOR	1	1	TH8 (Heat sink)	
31	S 7 0 E 2 0 2 3 4	RESISTOR	1	1	RS	
32	S 7 0 M 1 0 3 4 6	NOISE FILTER	1	1	N.F.	
33	S 7 0 M 4 5 3 1 5	CONTROLLER BOARD	1	1	C.B.	
34	S 7 0 E 0 5 7 0 6	THERMAL PROTECTOR ASSY	1	1	TRS	

# STRUCTURAL PARTS

PUZ-M200YKA2.UK  
PUZ-M250YKA2.UK

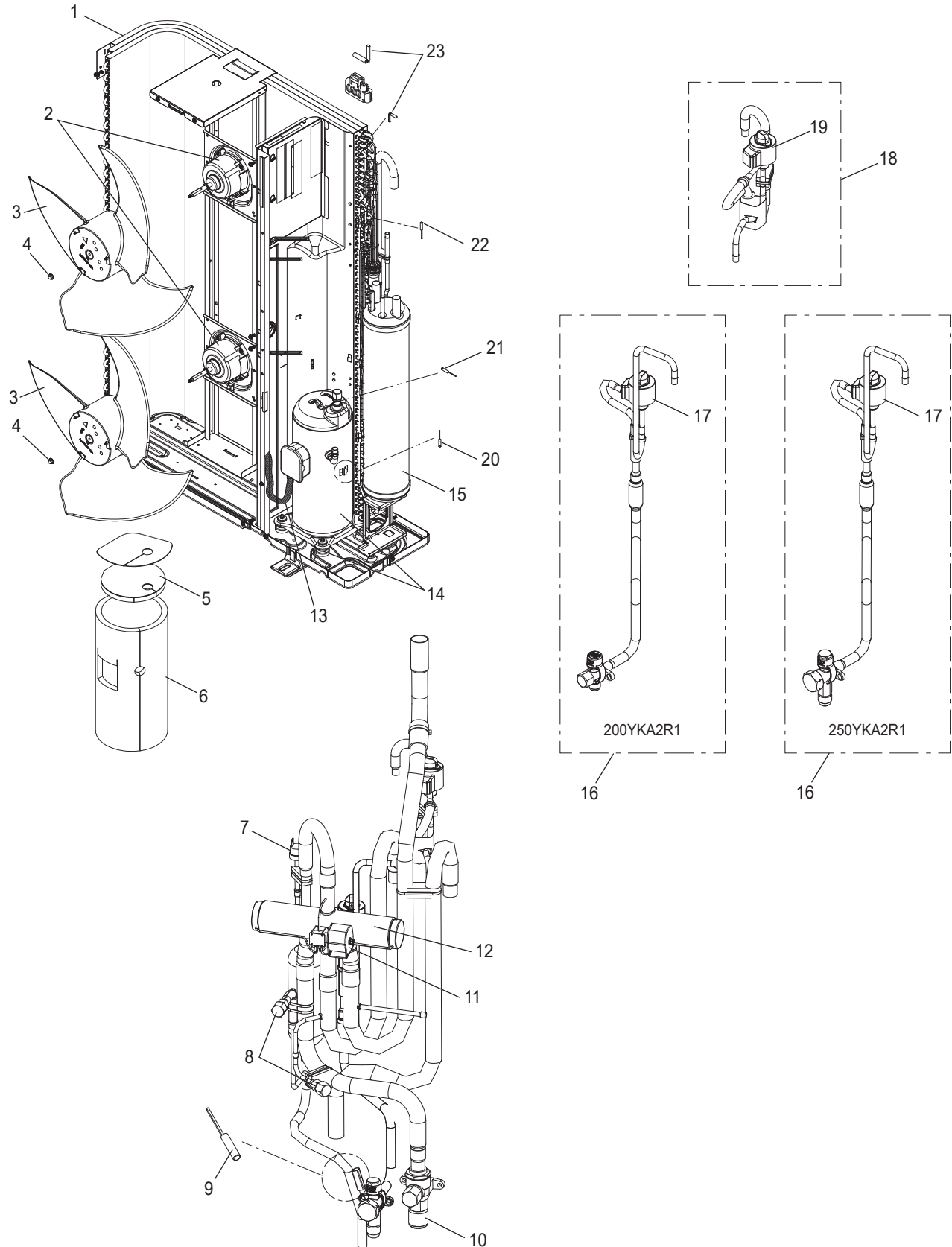


1. The part quantity below indicates the required number of pieces per unit.
2. The circled No. indicates that the part is not shown in the figure.

No.	Parts No.	Parts Name	PUZ-M200YKA2.UK	PUZ-M250YKA2.UK	Remarks [Drawing No.]
1	—	F.ST SCREW	64	64	(5×12), [DG12F536H12]
2	S 7 0 E 1 7 6 6 2	SIDE PANEL (L)	1	1	
3	S 7 0 E 2 0 6 5 5	HANDLE (FRONT)	2	2	
4	S 7 0 E 4 0 6 7 5	FAN GRILLE	2	2	
5	S 7 0 E 6 1 6 6 8	FRONT PANEL	1	1	
6	S 7 0 E 9 0 1 3 0	MOTOR SUPPORT	1		
6	S 7 0 E 9 5 1 3 0	MOTOR SUPPORT		1	
7	S 7 0 E 9 1 6 8 6	BASE ASSY	1	1	
8	—	SEPARATOR	1	1	[BK00N021G60]
9	—	VALVE BED ASSY	1	1	[GK00C012G01]
10	S 7 0 E 3 0 6 5 5	HANDLE (REAR)	2	2	
11	S 7 0 E 5 5 6 5 8	COVER PANEL (FRONT)	1	1	
12	S 7 0 E 6 5 6 5 8	COVER PANEL (REAR)	1	1	
13	S 7 0 E 1 8 6 6 2	SIDE PANEL (R)	1	1	
14	S 7 0 E 4 7 6 6 1	SERVICE PANEL	1	1	
15	S 7 0 E 9 4 6 9 9	LABEL (T MARK MITSUBISHI)	1	1	
16	S 7 0 E 9 3 6 9 9	LABEL (T MARK SLIM_R32 & INV)	1	1	
17	S 7 0 E 3 0 6 9 8	REAR GUARD	1	1	
18	S 7 0 E 4 0 6 4 1	TOP PANEL	1	1	
19	S 7 0 E 1 0 6 3 1	ICE GUARD	2	2	

# FUNCTIONAL PARTS

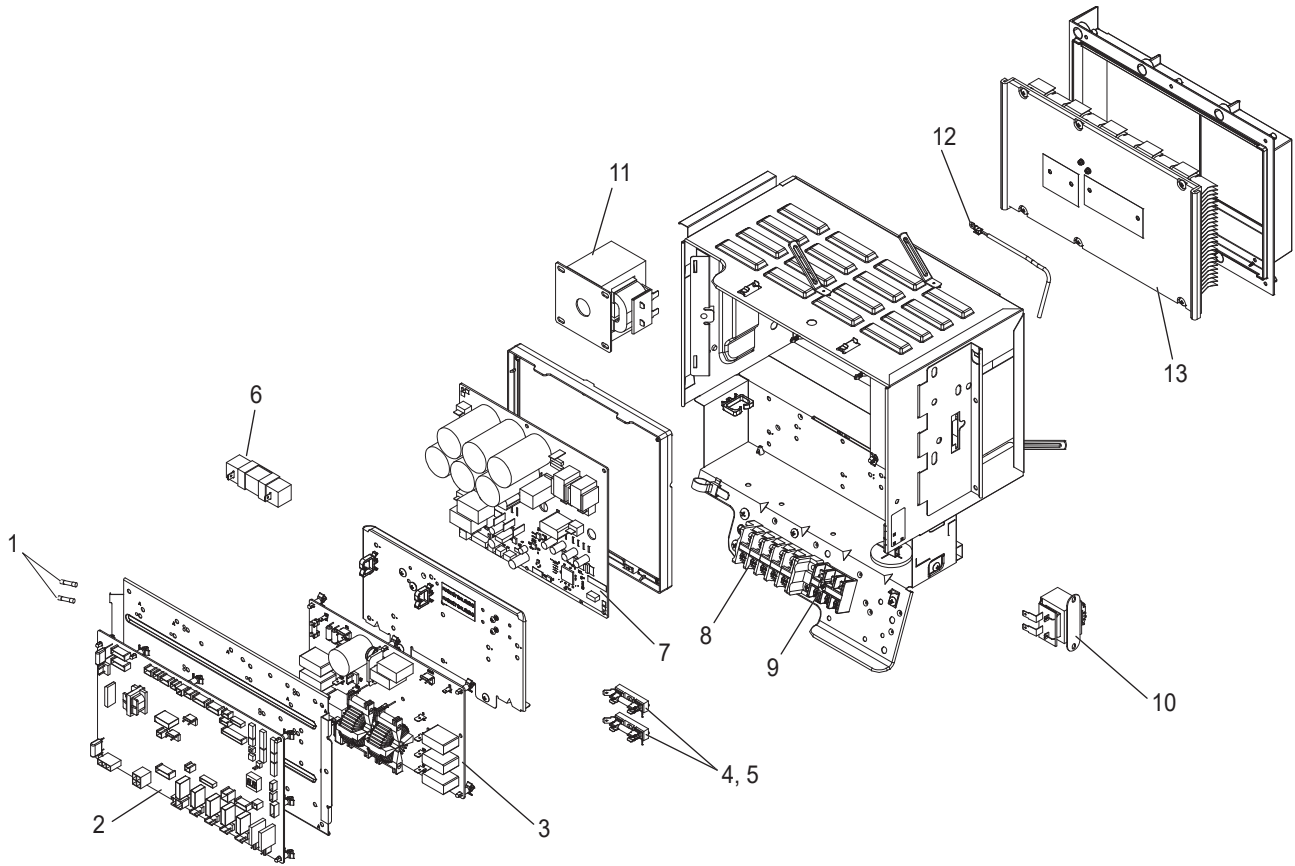
PUZ-M200YKA2R1  
PUZ-M250YKA2R1



1. The part quantity below indicates the required number of pieces per unit.
2. The circled No. indicates that the part is not shown in the figure.

No.	Parts No.	Parts Name	PUZ-M200YKA2R1	PUZ-M250YKA2R1	Wiring Diagram Symbol	Remarks
1	T 7 W F 0 1 4 0 8	HEAT EXCHANGER	1			
1	T 7 W F 0 2 4 0 8	HEAT EXCHANGER		1		
2	R 0 1 C 0 1 2 2 1	FAN MOTOR	2	2	MF1, 2	
3	R 0 1 E 1 6 1 1 5	PROPELLER FAN/D550	2	2		
4	R 0 1 E 1 6 0 9 7	CAP NUT (MEC) M6	2	2		
5	R 0 1 A 7 7 6 0 2	COMP FELT (TOP)	1	1		
6	T 7 W B 1 2 6 0 2	COMP FELT-B/AVB52	1	1		
7	R 0 1 H 0 6 2 0 8	HIGH PRESSURE SWITCH	1	1	63H	
8	R 0 1 E 3 1 4 1 3	CHARGE PLUG/LB90	2	2		Hi/Lo
9	R 0 1 E 3 5 2 0 1	THERMISTOR (DIS)	1	1	TH4 (Discharge)	
10	R 0 1 E 1 3 4 1 1	BALL VALVE&STRAINER	1	1		3/4
11	T 7 W E 9 6 2 4 2	SOLENOID COIL (21S4)	1	1	21S4	Includes SCREW
12	R 0 1 E 3 8 4 0 3	4WAY VALVE	1	1	21S4	
13	T 7 W C 0 7 5 1 0	LEAD ASSY COMP	1	1		
14	T 9 7 4 A 0 0 0 0	COMPRESSOR	1	1	MC	AVB52FBAMT Includes RUBBER MOUNT
15	T 7 W R 0 2 4 4 0	POWER RECEIVER	1	1		
16	T 7 W B 1 3 4 0 1	LEV ASSY-B/REC-V	1		LEV-B	
16	T 7 W B 1 4 4 0 1	LEV ASSY-B/REC-V		1	LEV-B	
17	R 0 1 H 3 4 2 4 2	COIL(LEV)/XAP-5P RED	1	1	LEV-B	
18	R 0 1 A 2 0 4 0 1	LEV ASSY-A/C-REC	1	1	LEV-A	
19	R 0 1 H R 7 2 4 2	COIL(LEV)/XAP-5P WH	1	1	LEV-A	
20	T 7 W E 2 5 2 0 1	TRS ASSY	1	1	TRS	
21	R 0 1 E 3 9 2 0 1	THERMISTOR/SHELL	1	1	TH33 (Compressor)	
22	R 0 1 N 0 1 2 0 2	THERMISTOR-H	1	1	TH3 (Liquid)	
23	R 0 1 H 9 6 2 0 2	THERMISTOR W	1	1	TH6 (2-Phase Pipe) TH7 (Ambient)	Combined Port

## ELECTRICAL PARTS

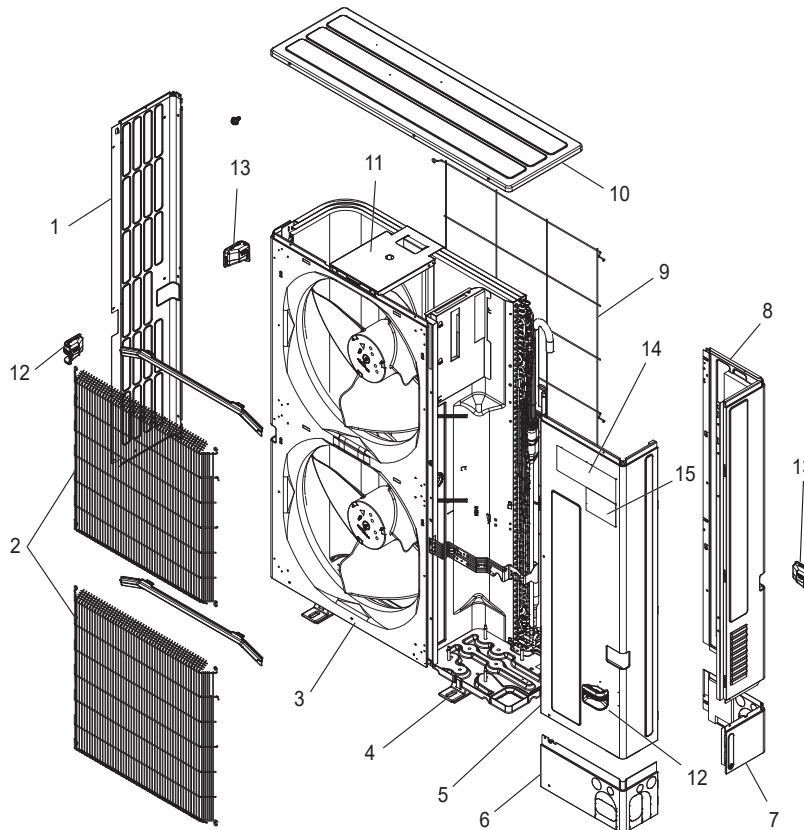


1. The part quantity below indicates the required number of pieces per unit.  
 2. The circled No. indicates that the part is not shown in the figure.

No.	Parts No.	Parts Name	PUZ-M200YKA2R1	PUZ-M250YKA2R1	Wiring Diagram Symbol	Remarks
1	R 0 1 E 1 4 2 3 9	FUSE 6.3 A 250 V	2	2	F3, F4	
2	T 7 W S 5 6 3 1 5	CONTROLLER BOARD	1	1	C.B.	
3	T 7 W E 4 1 3 4 6	NOISE FILTER	1	1	N.F.	
4	R 0 1 E 0 7 2 3 9	FUSE 15 A 250 V	2	2	FUSE1, 2	
5	R 0 1 3 0 L 2 4 1	FUSE HOLDER	2	2		
6	R 0 1 E 1 0 2 3 3	RESISTOR	1	1	RS	
7	T 7 W S 1 4 3 2 3	POWER BOARD	1	1	P.B.	
8	T 7 W E 3 0 7 1 6	T.B./L1.L2.L3.N.E	1	1	TB1	
9	R 0 1 E 1 9 2 4 6	T.B./S1.S2.S3	1	1	TB2	
10	T 7 W E 3 7 2 5 9	REACTOR	1	1	ACL4	
11	T 7 W E 3 8 2 5 9	REACTOR	1	1	DCL	
12	R 0 1 M 1 6 2 0 2	THERMISTOR (HS)	1	1	TH8 (Heat sink)	
13	T 7 W A 0 6 3 7 1	HEAT SINK	1	1		Includes SCREWS



## STRUCTURAL PARTS



1. The part quantity below indicates the required number of pieces per unit.
2. The circled No. indicates that the part is not shown in the figure.

No.	Parts No.	Parts Name	PUZ-M200YKA2R1	PUZ-M250YKA2R1	Remarks
1	R 0 1 E 3 0 6 6 2	SIDE PANEL (L)	1	1	
2	T 7 W E 1 3 6 9 1	WIRE GRILLE	2	2	
3	R 0 1 E 2 3 6 6 8	FRONT PANEL	1	1	
4	T 7 W E 3 5 6 8 6	BASE ASSY	1	1	
5	T 7 W E 2 1 6 6 7	SERVICE PANEL	1	1	
6	R 0 1 E 4 1 6 5 8	COVER PANEL (FRONT)	1	1	
7	T 7 W R 0 0 6 5 8	COVER PANEL (REAR)	1	1	
8	T 7 W E 3 0 6 6 1	SIDE PANEL (R)	1	1	
9	R 0 1 E 1 0 6 9 8	REAR GUARD	1	1	
10	R 0 1 E 3 6 6 4 1	TOP PANEL	1	1	
11	R 0 1 E 5 9 1 3 0	MOTOR SUPPORT	1		
11	R 0 1 E 6 0 1 3 0	MOTOR SUPPORT		1	
12	R 0 1 E 0 5 6 5 5	HANDLE (FRONT)	2	2	
13	R 0 1 E 0 6 6 5 5	HANDLE (REAR)	2	2	
14	T 7 W B 0 0 0 0 5	BRAND LABEL	1	1	
15	T 7 W B 0 1 0 0 5	BRAND LABEL (INV R32)	1	1	

**Mr. SLIM**

**mitsubishi electric corporation**

HEAD OFFICE: TOKYO BUILDING, 2-7-3, MARUNOUCHI, CHIYODA-KU, TOKYO 100-8310, JAPAN