

# PARTS CATALOG

## Series PSA Floor Standing

**R32/R410A**
**Indoor unit**
**[Model Name]**

PSA-M71KA

PSA-M100KA

PSA-M125KA

PSA-M140KA

PSA-M71KA-ER

PSA-M100KA-ER

PSA-M125KA-ER

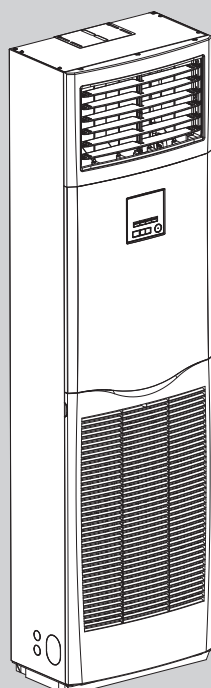
PSA-M140KA-ER

PSA-M71KA-ET

PSA-M100KA-ET

PSA-M125KA-ET

PSA-M140KA-ET

**[Service Ref.]**
**PSA-M71KA**
**PSA-M100KA**
**PSA-M125KA**
**PSA-M140KA**
**PSA-M71KA-ER**
**PSA-M100KA-ER**
**PSA-M125KA-ER**
**PSA-M140KA-ER**
**PSA-M71KA-ET**
**PSA-M100KA-ET**
**PSA-M125KA-ET**
**PSA-M140KA-ET**

 Model name  
 indication

**CONTENTS**

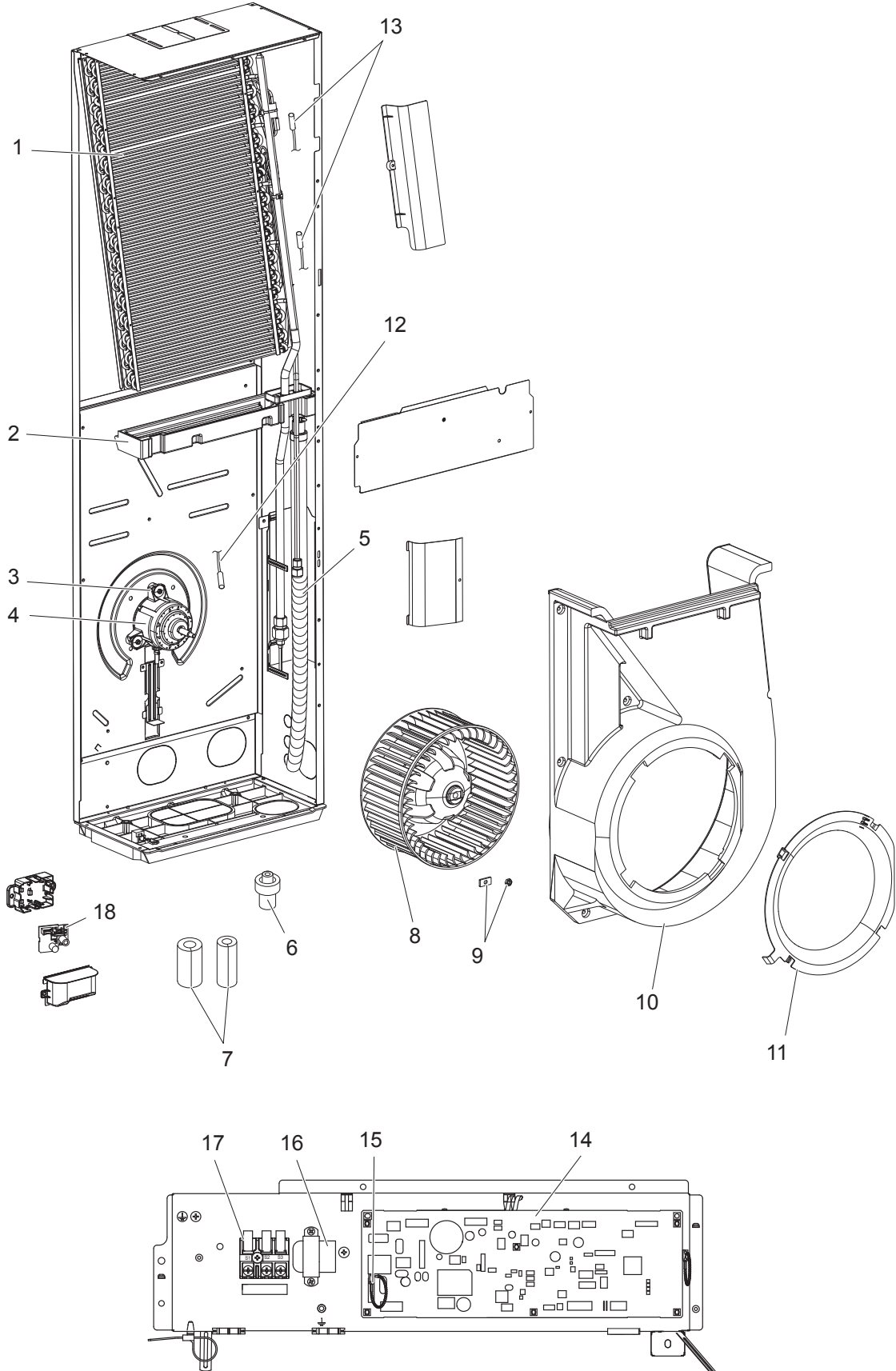
1. SERVICE PARTS LIST ..... 2
2. OPTIONAL PARTS ..... 6

**SERVICE MANUAL (OCH724)**

PSA-M71KA  
 PSA-M100KA  
 PSA-M125KA  
 PSA-M140KA

PSA-M71KA-ER  
 PSA-M100KA-ER  
 PSA-M125KA-ER  
 PSA-M140KA-ER

PSA-M71KA-ET  
 PSA-M100KA-ET  
 PSA-M125KA-ET  
 PSA-M140KA-ET



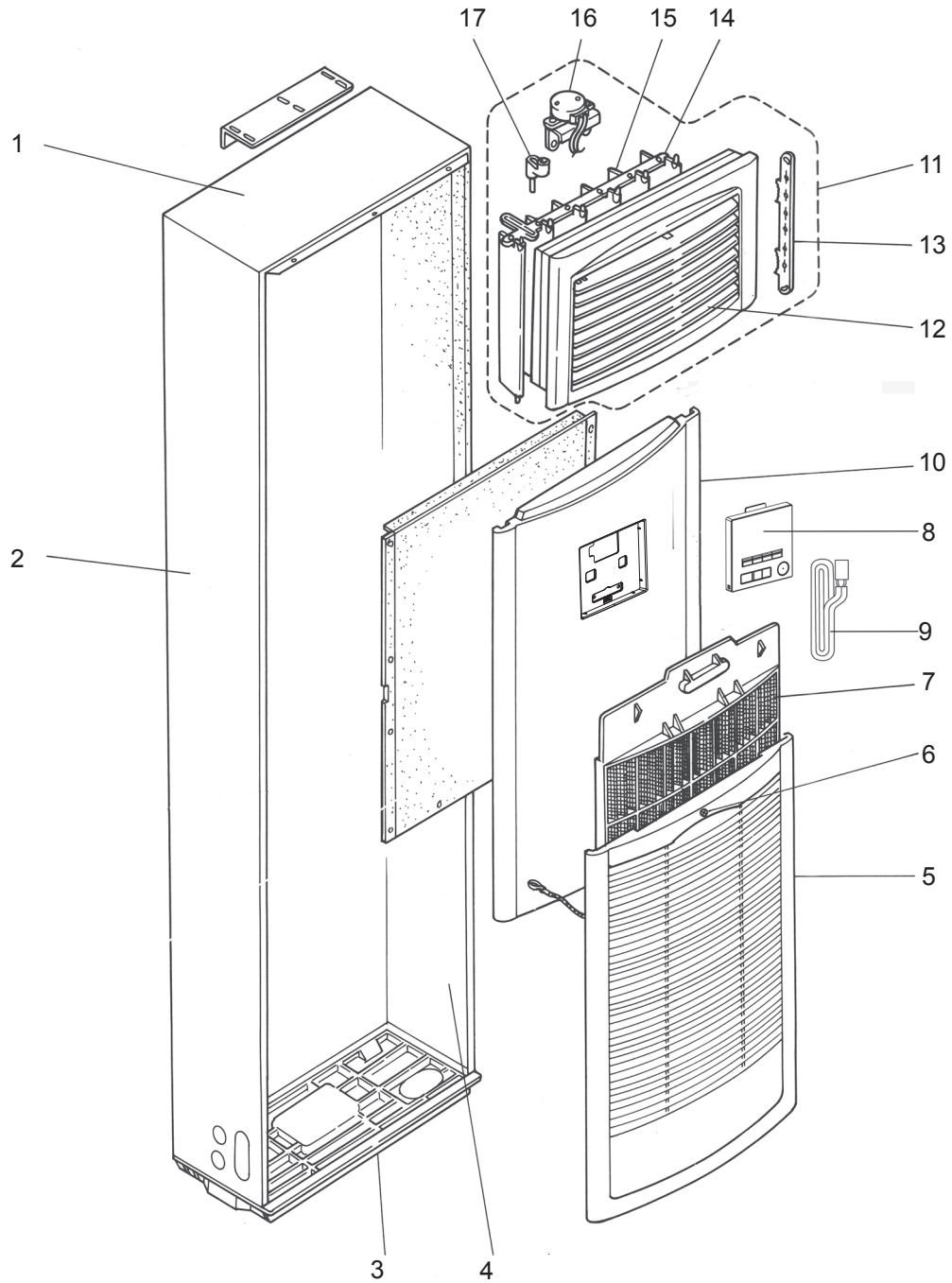
1. The part quantity below indicates the required number of pieces per unit.
2. The circled No. indicates that the part is not shown in the figure.

No.	Part No.	Parts name	PSA-M71KA	PSA-M100KA	PSA-M125KA	PSA-M140KA	PSA-M71KA-ER	PSA-M100KA-ER	PSA-M125KA-ER	PSA-M140KA-ER	PSA-M71KA-ET	PSA-M100KA-ET	PSA-M125KA-ET	PSA-M140KA-ET	Wiring Diagram Symbol	Remarks
1	T7W S06 480	HEAT EXCHANGER	1	1	1		1	1	1		1	1	1			
1	T7W S05 480	HEAT EXCHANGER				1				1				1		
2	R01 S03 529	DRAIN PAN	1	1	1	1	1	1	1	1	1	1	1	1		
3	R01 S04 105	RUBBER MOUNT	1				1				1					3PCS
3	R01 S03 105	RUBBER MOUNT		1	1	1		1	1	1		1	1	1		
4	R01 S04 220	FAN MOTOR	1				1				1				MF	Includes MOTOR MOUNT SET
4	R01 S03 220	FAN MOTOR		1	1	1		1	1	1		1	1	1	MF	
5	R01 80G 527	DRAIN HOSE	1	1	1	1	1	1	1	1	1	1	1	1		
6	R01 E02 523	DRAIN SOCKET	1	1	1	1	1	1	1	1	1	1	1	1		
7	R01 S00 660	PIPE COVERS SET	1	1	1	1	1	1	1	1	1	1	1	1		FOR GAS&LIQUID/ CONNECT TO THE FIELD PIPING
8	R01 S03 114	SIROCCO FAN	1	1	1	1	1	1	1	1	1	1	1	1		
9	R01 11K 097	WASHER & NUT/M8	1	1	1	1	1	1	1	1	1	1	1	1		NUT & WASHER
10	R01 S03 117	SCROLL	1	1	1	1	1	1	1	1	1	1	1	1		
11	R01 E06 119	BELL MOUTH	1	1	1	1	1	1	1	1	1	1	1	1		
12	R01 HR1 202	THERMISTOR (ROOM)	1	1	1	1	1	1	1	1	1	1	1	1	TH1	
13	R01 L00 202	THERMISTOR-L/G	1	1	1	1	1	1	1	1	1	1	1	1	TH2, TH5	
14	T7W S07 310	CONTROLLER BOARD	1	1	1	1	1	1	1	1	1	1	1	1	I.B	
15	R01 E14 239	FUSE 6.3A 250V	1	1	1	1	1	1	1	1	1	1	1	1	FUSE	6.3A 250V
16	T7W E14 259	REACTOR	1	1	1	1	1	1	1	1	1	1	1	1	DCL	
17	R01 E20 246	T.B./S1.S2.S3	1	1	1	1	1	1	1	1	1	1	1	1	TB4	3P (S1,S2,S3)
18	R01 R01 366	R32 SENSOR	1	1	1	1	1	1	1	1	1	1	1	1		

PSA-M71KA  
PSA-M100KA  
PSA-M125KA  
PSA-M140KA

PSA-M71KA-ER  
PSA-M100KA-ER  
PSA-M125KA-ER  
PSA-M140KA-ER

PSA-M71KA-ET  
PSA-M100KA-ET  
PSA-M125KA-ET  
PSA-M140KA-ET



7SK00-A00ES

1. The part quantity below indicates the required number of pieces per unit.
2. The circled No. indicates that the part is not shown in the figure.

No.	Part No.			Parts name	PSA-M71KA	PSA-M100KA	PSA-M125KA	PSA-M140KA	PSA-M71KA-ER	PSA-M100KA-ER	PSA-M125KA-ER	PSA-M140KA-ER	PSA-M71KA-ET	PSA-M100KA-ET	PSA-M125KA-ET	PSA-M140KA-ET	Wiring Diagram Symbol	Remarks
					1	1	1	1	1	1	1	1	1	1	1	1		
1	R01	E25	641	TOP PANEL	1	1	1	1	1	1	1	1	1	1	1	1		
2	R01	E23	662	SIDE PANEL (L)	1	1	1	1	1	1	1	1	1	1	1	1		
3	R01	E38	686	BASE	1	1	1	1	1	1	1	1	1	1	1	1		
4	T7W	E43	661	SIDE PANEL (R)	1	1	1	1	1	1	1	1	1	1	1	1		
5	R01	E51	691	INTAKE GRILLE	1	1	1	1	1	1	1	1	1	1	1	1		
6	R01	E11	097	PAINT SCREW (GRILLE)	1	1	1	1	1	1	1	1	1	1	1	1		FOR GRILLE
7	R01	E21	500	AIR FILTER	1	1	1	1	1	1	1	1	1	1	1	1		
8	T7W	S00	200	REMOTE CONTROLLER	1	1	1	1	1	1	1	1	1	1	1	1	R.B	
9	R01	E12	305	REMOCON CABLE/XA2BLU	1	1	1	1	1	1	1	1	1	1	1	1		
10	R01	S06	651	FRONT PANEL	1	1	1	1	1	1	1	1	1	1	1	1		
11	R01	S03	003	S. LOUVER ASSY	1	1	1	1	1	1	1	1	1	1	1	1		
12	R01	E03	035	GUIDE VANE (H)	8	8	8	8	8	8	8	8	8	8	8	8		
13	R01	E03	021	VANE ARM (H)	1	1	1	1	1	1	1	1	1	1	1	1		
14	R01	E04	019	VANE ARM (V)	1	1	1	1	1	1	1	1	1	1	1	1		
15	R01	E05	038	GUIDE VANE (V)	6	6	6	6	6	6	6	6	6	6	6	6		
16	R01	S03	222	LOUVER MOTOR (ML)	1	1	1	1	1	1	1	1	1	1	1	1	ML	
17	R01	E01	060	CRANK	1	1	1	1	1	1	1	1	1	1	1	1		

**2****OPTIONAL PARTS**

<b>Parts name</b>	<b>Parts No.</b>
Power supply terminal kit	PAC-SG96HE-E
Wi-Fi Interface	MAC-587IF-E
Remote sensor	PAC-SE41TS-E
Remote ON/OFF adapter	PAC-SE55RA-E
Remote operation adapter	PAC-SF40RM-E
Remote display adapter	PAC-SA88HA-E
Signal sender	PAR-SL101A-E
Signal receiver	PAR-SA9CA-E

**mitsubishi electric corporation**

HEAD OFFICE: TOKYO BUILDING, 2-7-3, MARUNOUCHI, CHIYODA-KU, TOKYO 100-8310, JAPAN