

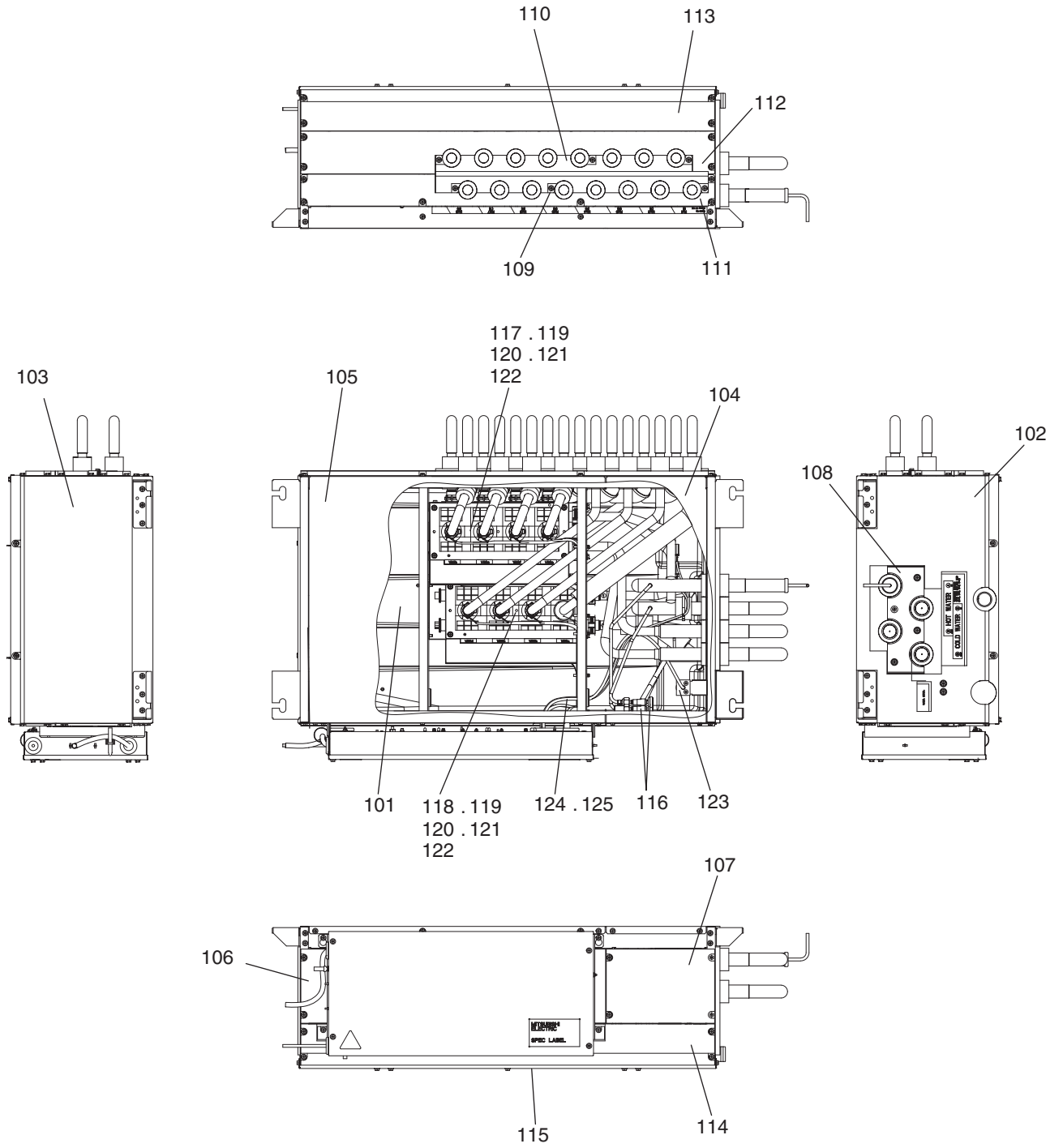
SERVICE PARTS LIST FOR MITSUBISHI ELECTRIC PACKAGED AIR-CONDITIONERS

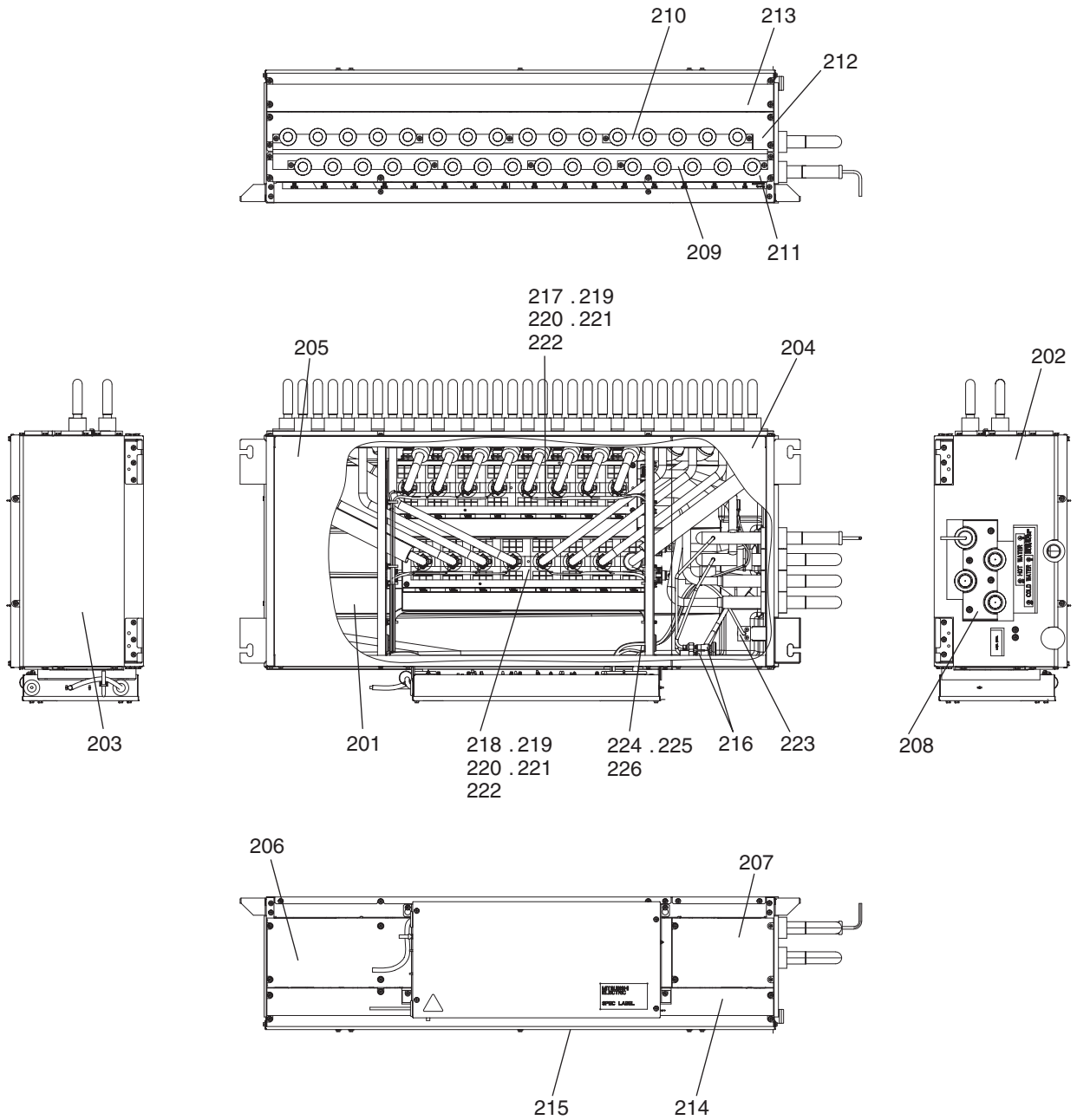
Series : CMB

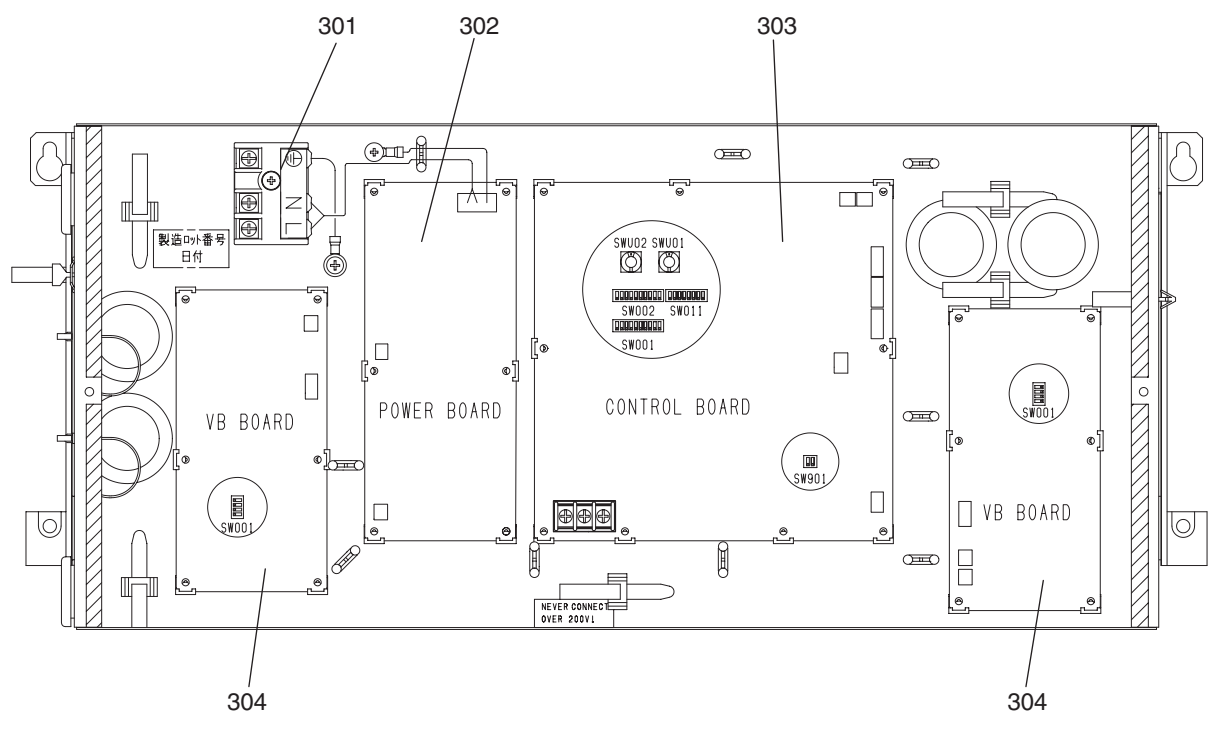
Oct. 2021

BWE021520

| INDEX |
|---------------------------------|
| CMB-WM108V-BB CMB-WM1016V-BB |







mitsubishi
electric
corporation

BWE021520 (20211031)