

SERVICE PARTS LIST FOR MITSUBISHI ELECTRIC PACKAGED AIR-CONDITIONERS

Series : PEFY-WP•VMA-E

REVISED

June 2017

BWE1139B

INDEX
PEFY-WP20VMA-E
PEFY-WP25VMA-E
PEFY-WP32VMA-E
PEFY-WP40VMA-E
PEFY-WP50VMA-E
PEFY-WP63VMA-E
PEFY-WP71VMA-E
PEFY-WP80VMA-E
PEFY-WP100VMA-E
PEFY-WP125VMA-E

Part information update day : 2017/06/08

Please change the old catalog (issued May 2013, No.BWE1139A) to this new catalog.
Content of revision : Some of parts are changed. Added new models.



Added new models

PEFY-WP63VMA-E :Added June 2017

PEFY-WP71VMA-E :Added June 2017

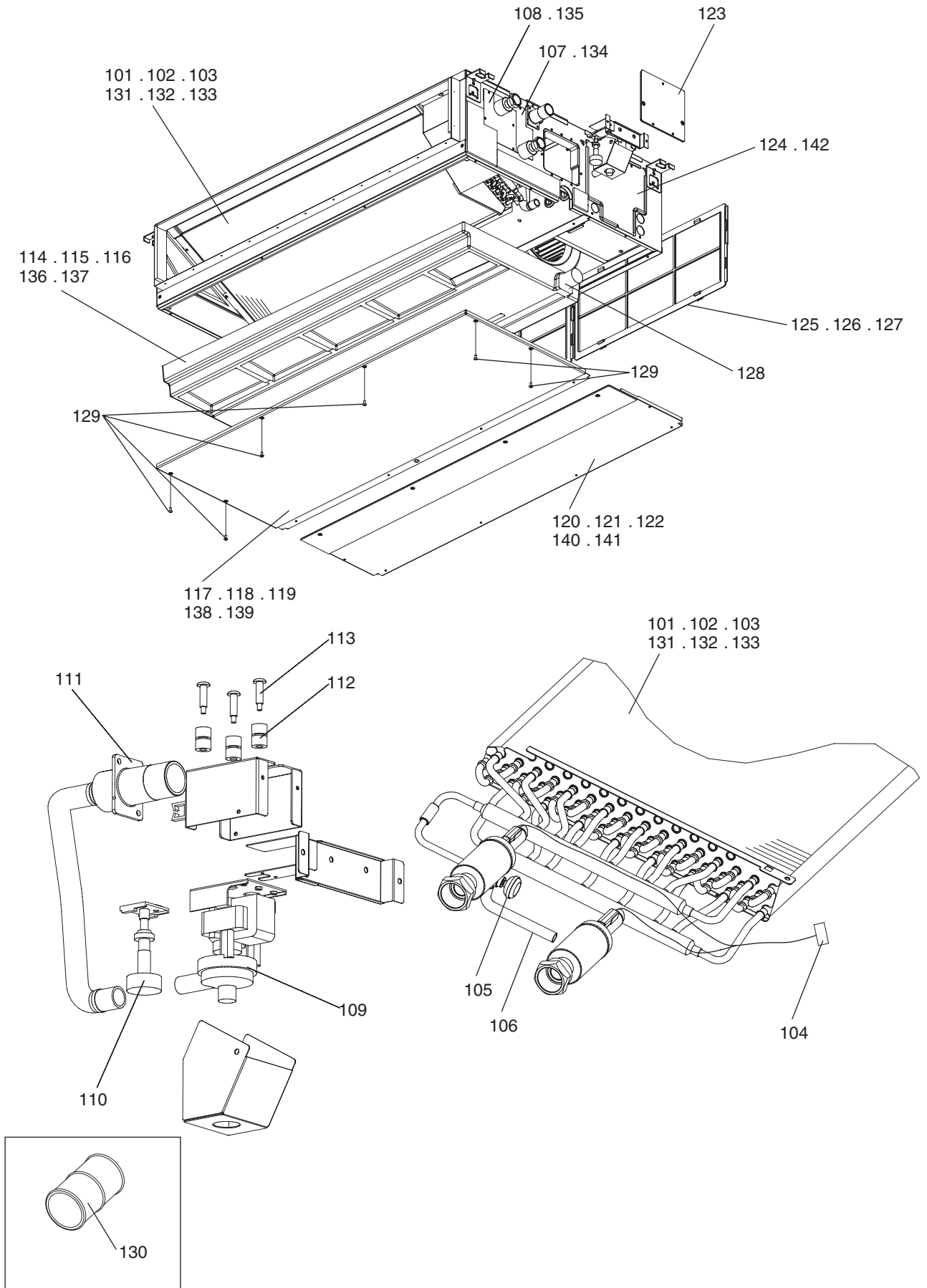
PEFY-WP80VMA-E :Added June 2017

PEFY-WP100VMA-E :Added June 2017

PEFY-WP125VMA-E :Added June 2017

PEFY-WP20,WP25,WP32VMA-E
PEFY-WP40,WP50,WP63VMA-E
PEFY-WP71,WP80,WP100,WP125VMA-E

EXTERNAL PARTS



PEFY-WP20,WP25,WP32VMA-E
 PEFY-WP40,WP50,WP63VMA-E
 PEFY-WP71,WP80,WP100,WP125VMA-E

EXTERNAL PARTS

No.	Part No.	G : RoHS Apply Only W : RoHS Apply by Running Change	Part Name	Spec.	PEFY-WP20VMA-E	PEFY-WP25VMA-E	PEFY-WP32VMA-E	PEFY-WP40VMA-E	PEFY-WP50VMA-E	PEFY-WP63VMA-E	Dwg. No.	Notes for the models	Revision info.
101	R61 620 480	G	Heat exchanger		1						KB00A430G21		Chg.
102	R61 621 480	G	Heat exchanger			1	1				KB00A430G22		Chg.
103	R61 622 480	G	Heat exchanger					1	1		KB00A431G10		Chg.
104	R61 100 200	G	Thermistor		1	1	1	1	1	1	KB71B945H03	<TH22,TH23>	
105	R61 010 410	G	Air purge valve		1	1	1	1	1	1	P635209X01		
106	R61 005 526	G	Tube	PVC	1	1	1	1	1	1	S645005H02		
107	R61 107 690	G	Cover pipe assy 1		1	1	1	1	1		KD00F189G01		
108	R61 108 690	G	Cover pipe assy 2		1	1	1	1	1		KD00F190G01		
109	R61 011 539	G	Pump	PLD	1	1	1	1	1	1	KB56B953H03		
110	R61 012 541	G	Float switch	#FS-0250	1	1	1	1	1	1	KB68J550H01		
111	R61 004 218	G	Socket assy		1	1	1	1	1	1	KB00R308G06		Chg.
112	R61 018 104	G	Cushion		3	3	3	3	3	3	DB26F013L01		
113	R61 002 019	G	Screw special	M4 x 6	3	3	3	3	3	3	Y112J017H05		
114	R61 051 529	G	Drain pan assy	P20	1						KB00T352G06		
115	R61 052 529	G	Drain pan assy	P40		1	1				KB00T352G07		
116	R61 053 529	G	Drain pan assy	P63				1	1	1	KB00T352G08		
117	R61 191 651	G	Panel assy UD1	P20	1						KD00R262G01		
118	R61 192 651	G	Panel assy UD1	P40		1	1				KD00R262G02		
119	R61 193 651	G	Panel assy UD1	P63				1	1	1	KD00R262G03		
120	R61 135 651	G	Panel assy UD2	P20	1						KB00R306G11		
121	R61 136 651	G	Panel assy UD2	P40		1	1				KB00R306G12		
122	R61 137 651	G	Panel assy UD2	P63				1	1	1	KB00R306G13		
123	R61 067 690	G	Cover assy		1	1	1	1	1	1	KB00M197G07		Chg.
124	R61 021 077	G	Cover box assy		1	1	1	1	1		KB00T527G06		
125	R61 011 500	G	Filter	550				2	2	2	KB35B880G01		
126	R61 012 500	G	Filter	700	1						KB35B882G01		
127	R61 015 500	G	Filter	900		1	1				KB35B881G01		
128	R61 E96 558	G	Plug	RUBBER	1	1	1	1	1	1	P312040X01		
129	R61 004 087	G	Screw	4 x 10 coating	5	5	5	6	6	6	KB12D859G01		
130	R61 005 218	G	Socket		1	1	1	1	1	1	BB25D449K01		Chg.
131	R61 E61 480	G	Heat exchanger							1	KB00Y215G02		
132	R61 E62 480	G	Heat exchanger								KB00Y216G02		
133	R61 E64 480	G	Heat exchanger								KB00Y233G02		
134	R61 210 690	G	Cover pipe assy 1							1	KJ00H039G01		
135	R61 211 690	G	Cover pipe assy 2							1	KJ00H042G01		
136	R61 054 529	G	Drain pan assy								KB00T352G09		
137	R61 055 529	G	Drain pan assy								KB00T352G10		
138	R61 362 651	G	Panel assy UD1								KD00R262G04		
139	R61 363 651	G	Panel assy UD1								KD00R262G05		
140	R61 138 651	G	Panel assy UD2								KB00R306G14		
141	R61 139 651	G	Panel assy UD2								KB00R306G15		
142	R61 050 696	G	Cover box assy							1	KB00T527G22		

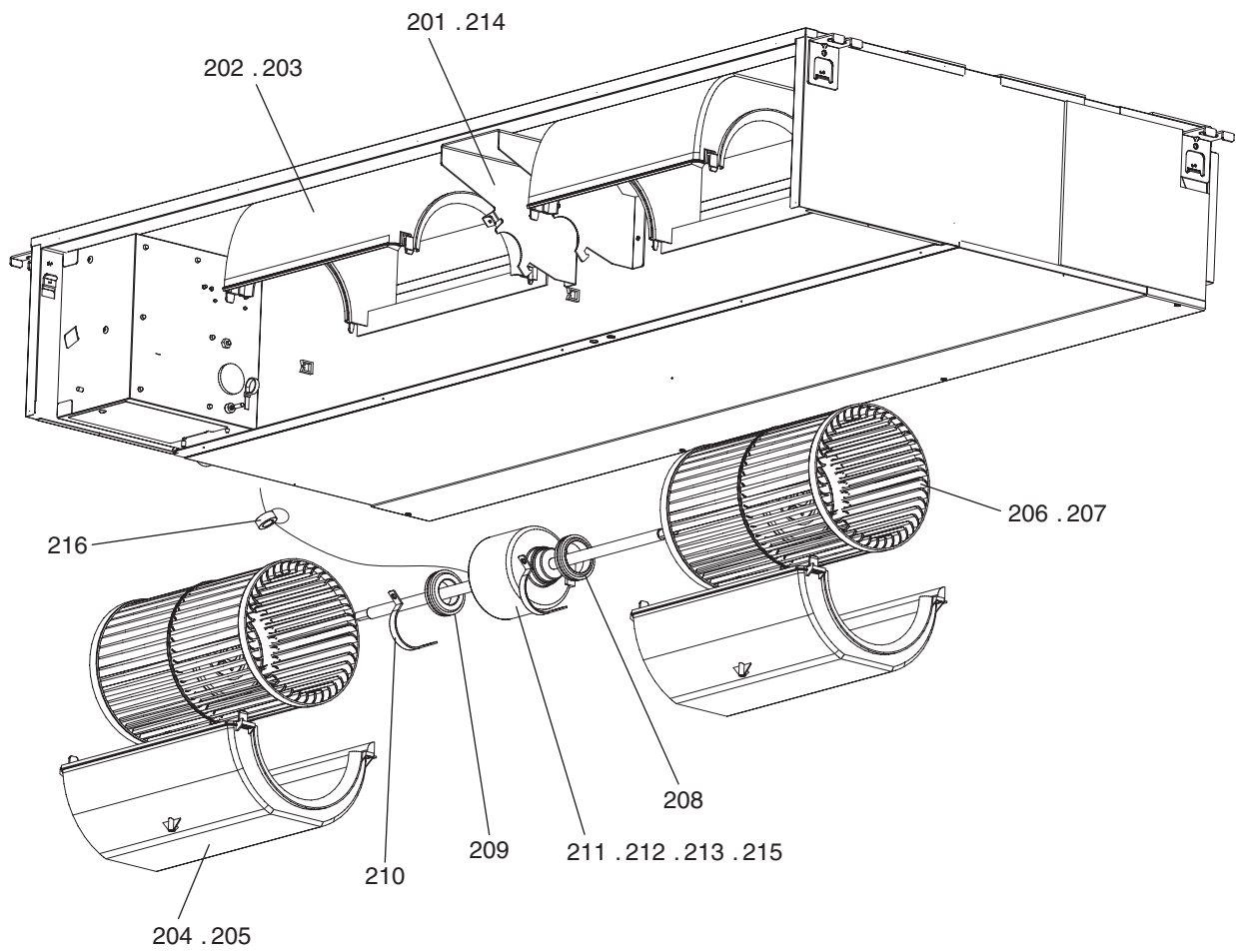
PEFY-WP20,WP25,WP32VMA-E
 PEFY-WP40,WP50,WP63VMA-E
 PEFY-WP71,WP80,WP100,WP125VMA-E

EXTERNAL PARTS

No.	Part No.	G : RoHS Apply Only W : RoHS Apply by Running Change		Spec.	PEFY-WP71VMA-E	PEFY-WP80VMA-E	PEFY-WP100VMA-E	PEFY-WP125VMA-E	Dwg. No.	Notes for the models	Revision info.
			Part Name								
101	R61 620 480	G	Heat exchanger						KB00A430G21		Chg.
102	R61 621 480	G	Heat exchanger						KB00A430G22		Chg.
103	R61 622 480	G	Heat exchanger						KB00A431G10		Chg.
104	R61 100 200	G	Thermistor		1	1	1	1	KB71B945H03	<TH22,TH23>	
105	R61 010 410	G	Air purge valve		1	1	1	1	P635209X01		
106	R61 005 526	G	Tube	PVC	1	1	1	1	S645005H02		
107	R61 107 690	G	Cover pipe assy 1						KD00F189G01		
108	R61 108 690	G	Cover pipe assy 2						KD00F190G01		
109	R61 011 539	G	Pump	PLD	1	1	1	1	KB56B953H03		
110	R61 012 541	G	Float switch	#FS-0250	1	1	1	1	KB68J550H01		
111	R61 004 218	G	Socket assy		1	1	1	1	KB00R308G06		Chg.
112	R61 018 104	G	Cushion		3	3	3	3	DB26F013L01		
113	R61 002 019	G	Screw special	M4 x 6	3	3	3	3	Y112J017H05		
114	R61 051 529	G	Drain pan assy	P20					KB00T352G06		
115	R61 052 529	G	Drain pan assy	P40					KB00T352G07		
116	R61 053 529	G	Drain pan assy	P63					KB00T352G08		
117	R61 191 651	G	Panel assy UD1	P20					KD00R262G01		
118	R61 192 651	G	Panel assy UD1	P40					KD00R262G02		
119	R61 193 651	G	Panel assy UD1	P63					KD00R262G03		
120	R61 135 651	G	Panel assy UD2	P20					KB00R306G11		
121	R61 136 651	G	Panel assy UD2	P40					KB00R306G12		
122	R61 137 651	G	Panel assy UD2	P63					KB00R306G13		
123	R61 067 690	G	Cover assy		1	1	1	1	KB00M197G07		Chg.
124	R61 021 077	G	Cover box assy						KB00T527G06		
125	R61 011 500	G	Filter	550					KB35B880G01		
126	R61 012 500	G	Filter	700	2	2	2	1	KB35B882G01		
127	R61 015 500	G	Filter	900				1	KB35B881G01		
128	R61 E96 558	G	Plug	RUBBER	1	1	1	1	P312040X01		
129	R61 004 087	G	Screw	4 x 10 coating	6	6	6	6	KB12D859G01		
130	R61 005 218	G	Socket		1	1	1	1	BB25D449K01		Chg.
131	R61 E61 480	G	Heat exchanger						KB00Y215G02		
132	R61 E62 480	G	Heat exchanger		1	1	1		KB00Y216G02		
133	R61 E64 480	G	Heat exchanger					1	KB00Y233G02		
134	R61 210 690	G	Cover pipe assy 1		1	1	1	1	KJ00H039G01		
135	R61 211 690	G	Cover pipe assy 2		1	1	1	1	KJ00H042G01		
136	R61 054 529	G	Drain pan assy		1	1	1		KB00T352G09		
137	R61 055 529	G	Drain pan assy					1	KB00T352G10		
138	R61 362 651	G	Panel assy UD1		1	1	1		KD00R262G04		
139	R61 363 651	G	Panel assy UD1					1	KD00R262G05		
140	R61 138 651	G	Panel assy UD2		1	1	1		KB00R306G14		
141	R61 139 651	G	Panel assy UD2					1	KB00R306G15		
142	R61 050 696	G	Cover box assy		1	1	1	1	KB00T527G22		

PEFY-WP20,WP25,WP32VMA-E
PEFY-WP40,WP50,WP63VMA-E
PEFY-WP71,WP80,WP100,WP125VMA-E

BLOWER PARTS



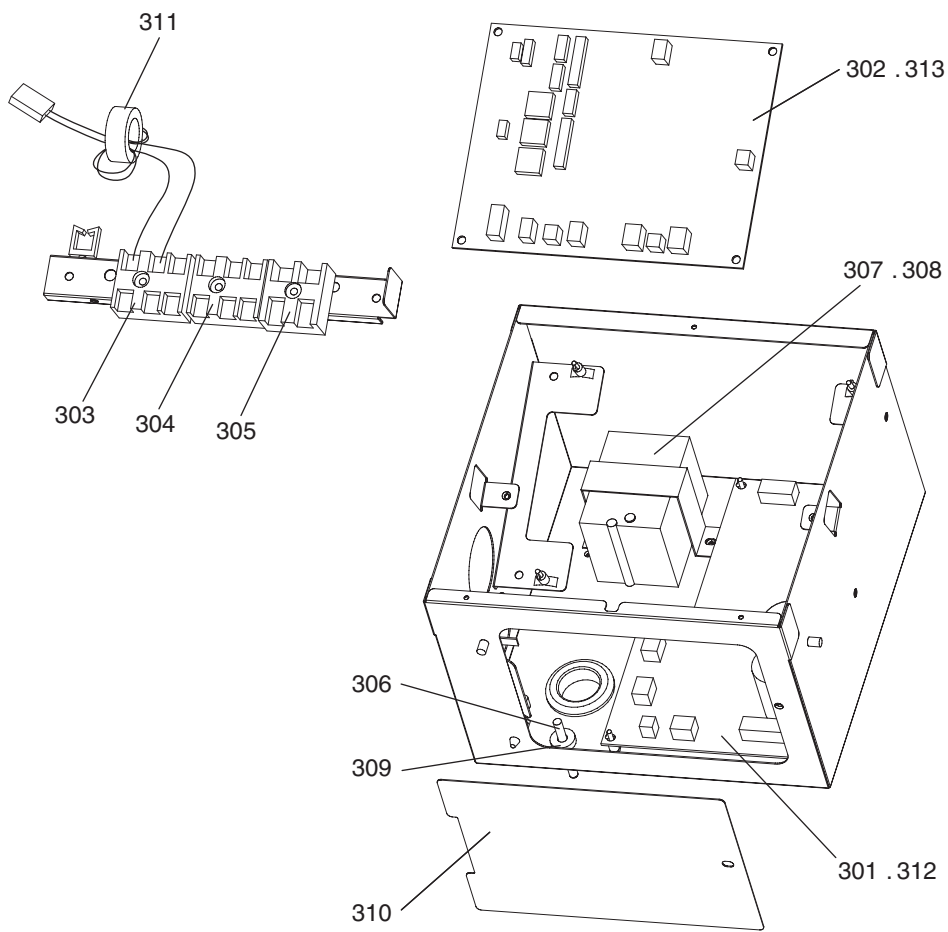
PEFY-WP20,WP25,WP32VMA-E
 PEFY-WP40,WP50,WP63VMA-E
 PEFY-WP71,WP80,WP100,WP125VMA-E

BLOWER PARTS

No.	Part No.	G : RoHS Apply Only W : RoHS Apply by Running Change		Spec.	PEFY-WP20VMA-E PEFY-WP25VMA-E PEFY-WP32VMA-E PEFY-WP40VMA-E PEFY-WP50VMA-E PEFY-WP63VMA-E						Dwg. No.	Notes for the models	Revision info.
		Part Name											
201	R61 023 128	G	Motor base	P20	1	1	1	1	1	1	KB02B861H03		Chg.
202	R61 012 129	G	Fan case U		1			2	2	2	KB25A145H02		
203	R61 007 129	G	Fan case U			1	1				KB25A144H01		
204	R61 013 129	G	Fan case L		1			2	2	2	KB25A147H02		
205	R61 009 129	G	Fan case L			1	1				KD00T025G01		
206	R61 007 114	G	Sirocco fan assy	200	1			2	2	2	KJ00G856G03		Chg.
207	R61 008 114	G	Sirocco fan assy	320		1	1				KJ00G857G02		Chg.
208	R61 001 505	G	Rubber mount L		1	1	1	1	1	1	KB31D833H01		
209	R61 002 505	G	Rubber mount R		1	1	1	1	1	1	KB31D833H02		
210	R63 652 131	G	Attachment		2	2	2	2	2	2	W353715H01		
211	R61 162 220	G	Motor	P20 SIC-70CW-D885-1	1						KB61B960H05		
212	R61 163 220	G	Motor	P40 SIC-70CW-D885-2		1	1				KB61B961H06		
213	R61 164 220	G	Motor	P63 SIC-70CW-D8121-1				1	1	1	KB61B962H05		
214	R61 024 128	G	Motor base								KB02B862H03		
215	R61 165 220	G	Motor	SIC-101CW-D8244-1							KB61B963H05		
216	R63 Y01 015	G	Clamp ferrite								P419042X01		

PEFY-WP20,WP25,WP32VMA-E
PEFY-WP40,WP50,WP63VMA-E
PEFY-WP71,WP80,WP100,WP125VMA-E

CONTROL BOX PARTS



PEFY-WP20,WP25,WP32VMA-E
 PEFY-WP40,WP50,WP63VMA-E
 PEFY-WP71,WP80,WP100,WP125VMA-E

CONTROL BOX PARTS

No.	Part No.	G : RoHS Apply Only W : RoHS Apply by Running Change		Spec.	PEFY-WP20VMA-E	PEFY-WP25VMA-E	PEFY-WP32VMA-E	PEFY-WP40VMA-E	PEFY-WP50VMA-E	PEFY-WP63VMA-E	Dwg. No.	Notes for the models	Revision info.
		Part Name											
301	R63 124 280	G	PCA board	PW 3A	1	1	1	1	1	1	KE80C349G03		
302	R61 173 280	G	PCA board	INDOOR CONTROL	1	1	1	1	1		KE80C349G18		
303	R61 021 246	G	Terminal block assy		1	1	1	1	1	1	BH00C267G05		
304	R61 022 246	G	Terminal block assy		1	1	1	1	1	1	BH00C267G04		
305	R61 023 246	G	Terminal block		1	1	1	1	1	1	BH73L021H01		
306	R61 103 200	G	Thermistor-S	250XAP	1	1	1	1	1	1	RG71J628H01	<TH21>	
307	R61 018 259	G	Reactor	3A3	1	1	1				KE65D486H02		
308	R61 019 259	G	Reactor	3A6				1	1	1	KE65D487H01		
309	R63 003 104	G	Cord bush		1	1	1	1	1	1	P695114X01		
310	R61 069 690	G	Box under cover		1	1	1	1	1	1	KB02K887H02		Chg.
311	R61 002 015	G	Clamp ferrite fob		1	1	1	1	1	1	KE65D273H01		
312	R63 125 280	G	PCA board	PW 5A							KE80C349G04		
313	R61 505 280	G	PCA board	INDOOR CONTROL						1	KE80C349G33		

PEFY-WP20,WP25,WP32VMA-E
 PEFY-WP40,WP50,WP63VMA-E
 PEFY-WP71,WP80,WP100,WP125VMA-E

CONTROL BOX PARTS

No.	Part No.	G : RoHS Apply Only W : RoHS Apply by Running Change		Spec.	PEFY-WP71VMA-E	PEFY-WP80VMA-E	PEFY-WP100VMA-E	PEFY-WP125VMA-E	Dwg. No.	Notes for the models	Revision info.
			Part Name								
301	R63 124 280	G	PCA board	PW 3A					KE80C349G03		
302	R61 173 280	G	PCA board	INDOOR CONTROL					KE80C349G18		
303	R61 021 246	G	Terminal block assy		1	1	1	1	BH00C267G05		
304	R61 022 246	G	Terminal block assy		1	1	1	1	BH00C267G04		
305	R61 023 246	G	Terminal block		1	1	1	1	BH73L021H01		
306	R61 103 200	G	Thermistor-S	250XAP	1	1	1	1	RG71J628H01	<TH21>	
307	R61 018 259	G	Reactor	3A3					KE65D486H02		
308	R61 019 259	G	Reactor	3A6	1	1	1	1	KE65D487H01		
309	R63 003 104	G	Cord bush		1	1	1	1	P695114X01		
310	R61 069 690	G	Box under cover		1	1	1	1	KB02K887H02		Chg.
311	R61 002 015	G	Clamp ferrite fob		1	1	1	1	KE65D273H01		
312	R63 125 280	G	PCA board	PW 5A	1	1	1	1	KE80C349G04		
313	R61 505 280	G	PCA board	INDOOR CONTROL	1	1	1	1	KE80C349G33		

mitsubishi
electric
corporation

BWE1139B (20170630)