

MAC-587IF

MELCloud Wi-Fi Interface

The **MAC-587IF** provides remote cloud control and monitoring over M series, Mr Slim, City Multi, Lossnay and Ecodan series indoor units.

Key Features & Benefits:

- Wi-Fi Interface for
- MELCloud solution
- ATA, Lossnay and ATW support
- WPS and Wi-Fi pin pairing
- WPS Push mode
- Setting via PAR-41MAA / PAR-SL101A-E





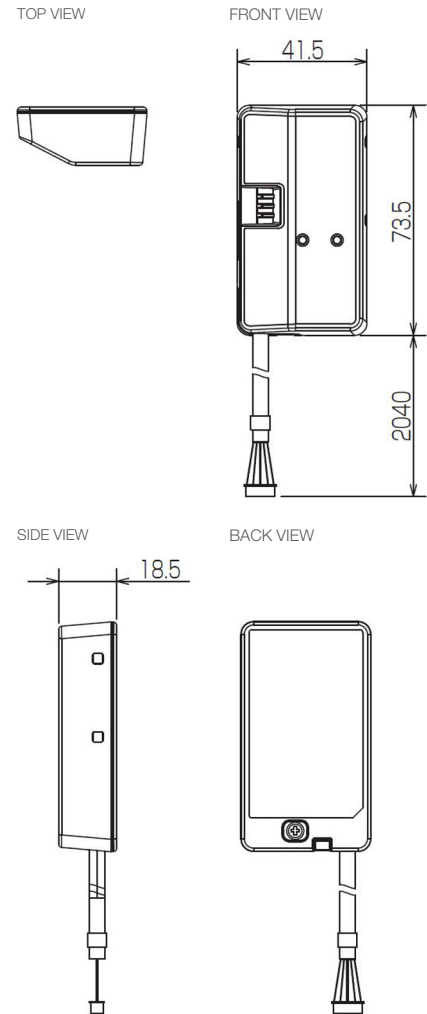
| MAC-587IF-E | Air Conditioning | Ecodan* |
|-----------------------------|---|--------------------------|
| Description | MELCloud Wi-Fi Interface | MELCloud Wi-Fi Interface |
| Connect to | Indoor | Indoor |
| Max Number of Units | 1 | 1 |
| Compatibility | M Series, Mr Slim, City Multi and Lossnay | Ecodan FTC6 |
| Power Supply | - | - |
| Dimensions (mm) (WxDxH) | 73.5 x 18.5 x 41.5 | 73.5 x 18.5 x 41.5 |
| Control | On/Off | ✓ |
| | Mode | ✓ |
| | Setpoint | ✓ |
| | Fan Speed | ✓ |
| | Air Direction | ✓ |
| | Permit/Prohibit | x |
| | Filter Sign | x |
| | On/Off | ✓ |
| | Mode | ✓ |
| | Setpoint | ✓ |
| Monitor | Fan Speed | ✓ |
| | Air Direction | ✓ |
| | Permit/Prohibit | x |
| | Filter Sign | ✓ |
| | Fault Codes | ✓ |
| | Room Temperature | ✓ |
| | On/Off but Centrally Controlled | - |
| | On/Off but NOT Centrally Controlled | - |
| | Run Output | - |
| | Fault Output | - |
| Energy Saving | - | |
| Heat / Cool / Thermo Output | - | |
| Pulse Weight | - | |

Notes: ✓ = Yes, x = No, - = Not applicable

MAC-587IF-E System Diagram



MAC-587IF-E DIMENSIONS



Telephone: 01707 282880
email: air.conditioning@meuk.mee.com
les.mitsubishielectric.co.uk



[@meuk_les](https://twitter.com/meuk_les)
[@green_gateway](https://twitter.com/green_gateway)

Mitsubishi Electric Living
Environmental Systems UK

Mitsubishi Electric
Cooling and Heating UK

[mitsubishielectricuk_les](https://www.instagram.com/mitsubishielectricuk_les)

Mitsubishi Electric Living
Environmental Systems UK

thehub.mitsubishielectric.co.uk

UNITED KINGDOM Mitsubishi Electric Europe Living Environment Systems Division, Travellers Lane, Hatfield, Hertfordshire, AL10 8XB, England. Telephone: 01707 282880 Fax: 01707 278881
IRELAND Mitsubishi Electric Europe, Westgate Business Park, Ballymount, Dublin 24, Ireland. Telephone: (01) 419 8800 Fax: (01) 419 8890 International code: (003531)

Country of origin: United Kingdom - Japan - Thailand - Malaysia. ©Mitsubishi Electric Europe 2021. Mitsubishi and Mitsubishi Electric are trademarks of Mitsubishi Electric Europe B.V. The company reserves the right to make any variation in technical specification to the equipment described, or to withdraw or replace products without prior notification or public announcement. Mitsubishi Electric is constantly developing and improving its products. All descriptions, illustrations, drawings and specifications in this publication present only general particulars and shall not form part of any contract. All goods are supplied subject to the Company's General Conditions of Sale, a copy of which is available on request. Third-party product and brand names may be trademarks or registered trademarks of their respective owners.

Note: The fuse rating is for guidance only. Please refer to the relevant databook for detailed specification. It is the responsibility of a qualified electrician/electrical engineer to select the correct cable size and fuse rating based on current regulation and site specific conditions. Mitsubishi Electric's air conditioning equipment and heat pump systems contain a fluorinated greenhouse gas, R410A (GWP:2088), R32 (GWP:675), R407C (GWP:1774), R134a (GWP:1430), R513A (GWP:631), R454B (GWP:466), R1234ze (GWP:7) or R1234yf (GWP:4). *These GWP values are based on Regulation (EU) No 517/2014 from IPCC 4th edition. In case of Regulation (EU) No.626/2011 from IPCC 3rd edition, these are as follows. R410A (GWP:1975), R32 (GWP:550), R407C (GWP:1650) or R134a (GWP:1300).

Effective as of December 2021

