


**FLOOR STANDING SUPPORT PLATE FOR LOSSNAY**

MODEL	Applicable model
<b>PZ-1VS-E</b>	LGH-15 to 50RVX3-E
<b>PZ-2VS-E</b>	LGH-65 to 100RVX3-E




# Installation Manual


## For dealers and installation contractors


- This manual must be read both fully and carefully before commencing installation procedures; furthermore, the subsequent installation must be performed correctly and safely in accordance with the instructions given.
- Be sure to give this instruction manual to the customer once installation is complete.
- When unit is installed vertically, follow below instructions. For items not described in this section, follow the instructions in Lossnay unit manuals. LGH-15 to 100RVX3-E are allowed to be installed vertically, only in the direction the maintenance cover faces up. Use optional parts PZ-1/2VS-E for vertical floor installation, otherwise installer shall ensure the safety during the lifetime of the unit.


## 1. Safety Precautions

The following signs indicate that death or serious injury may be caused by failure to heed the precautions described below.

	<b>WARNING</b>	Incorrect handling could cause serious injury or death.
--	----------------	---

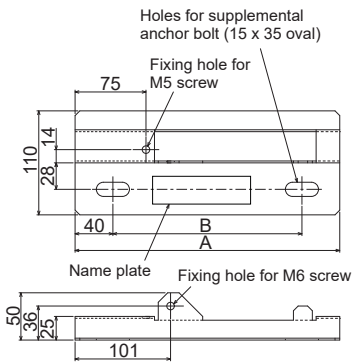
 <small>The instructions given must be followed.</small>	<b>Install the unit on the floor which is flat and have enough strength. Make sure the unit is always touching to the floor certainly.</b> Otherwise, it could cause injury.
	<b>Always make the fall prevention by using upper ceiling suspension fixture of the unit. In case of using anchor bolts embedded to the wall, choose the anchor bolts of M10 or M12. Install the anchor to the enough strong wall.</b>
	<b>Do not use the PZ-1/2VS-E in a corrosive environment, such as where it gets wet.</b> The product may tip over and cause injury.

	<b>CAUTION</b>	Incorrect handling could cause injury or damage to property or household effects.
--	----------------	---

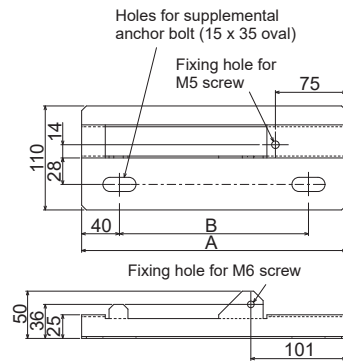
 <small>The instructions given must be followed.</small>	<b>Make sure to install the unit where users cannot touch it easily, for example in the machine room.</b> Otherwise there is a risk of burns and injuries.
	<b>Make a protection to the edges and areas that may be touched during maintenance.</b>
	<b>Do not install the unit in contact with the wall directory for avoiding any problem of vibration, wall discoloration and condensation water.</b>
	<b>Do not put anything on the unit.</b>
	<b>Do not install unit in the place where water can come to the unit from above, such as under the drainage ducts.</b> It could cause fire or electrical shock.
	<b>When using the product where it is exposed to low temperatures or high humidity, additional heat insulation on the unit are necessary which is a closed-cell foam with a thickness of 3 mm or more.</b>
	<b>Filters and Lossnay cores can be withdrawn out even when the unit is installed vertically, but when replacing fans and GM, the unit must be laid down and placed horizontally. Install the unit where horizontal maintenance space can be secured around it and use enough length of cables and detachable ducts so that the unit can be laid down. The required space is shown in the product outline drawing.</b>
	<b>Installation gradient tolerance should be <math>0\pm 1^\circ</math>, same as horizontal installation.</b>
	<b>If the unit causes vibration problem, use anti-vibration countermeasures such as a rubber sheet between the PZ-1/2VS-E and the floor.</b>
	<b>When installing vertically, do not install elbow duct facing the floor near the RA suction port of the unit. When installing a downward bending duct or a damper on the RA, please install it at least 3 m away from the product so as not to generate turbulence in the RA duct.</b> Otherwise, the unit may not work properly.
	<b>Do not lean on or put your weight on the product.</b> There is a risk of product deformation or injury.
	<b>When inserting or removing Lossnay cores, securely hold the handle until the end and insert or remove them one by one.</b> Otherwise, some parts might be damaged.

## 2. Outline drawings

### EA SIDE PLATE



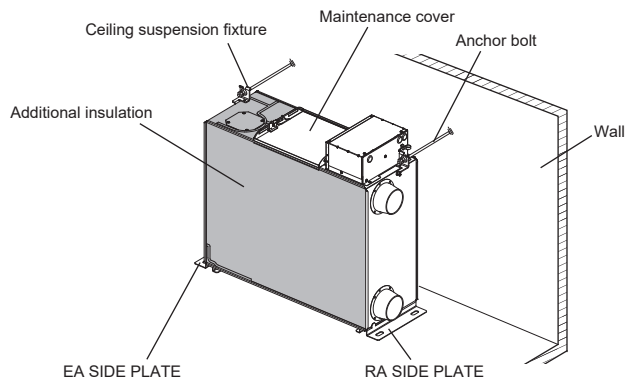
### RA SIDE PLATE



### ■ Dimensions Unit: mm

	A	B	Weight (kg)
PZ-1VS-E	280	200	1.2
PZ-2VS-E	380	300	1.6

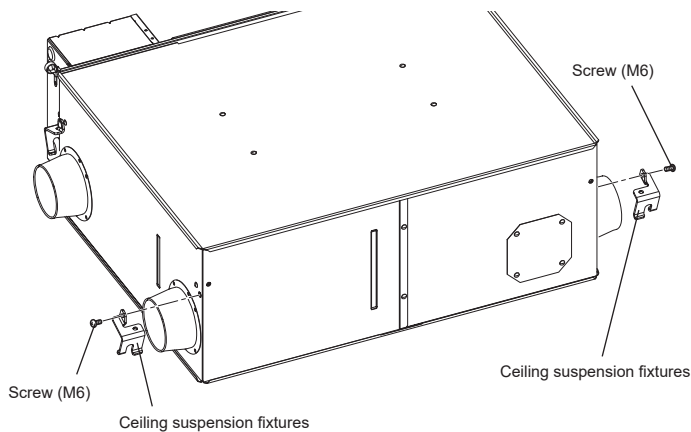
## 3. installation examples



## 4. Installation method

### 4.1 Remove the ceiling suspension fixtures

Remove both ceiling suspension fixtures near RA inlet and EA outlet by loosening M6 screws of each before standing the unit.



### NOTE

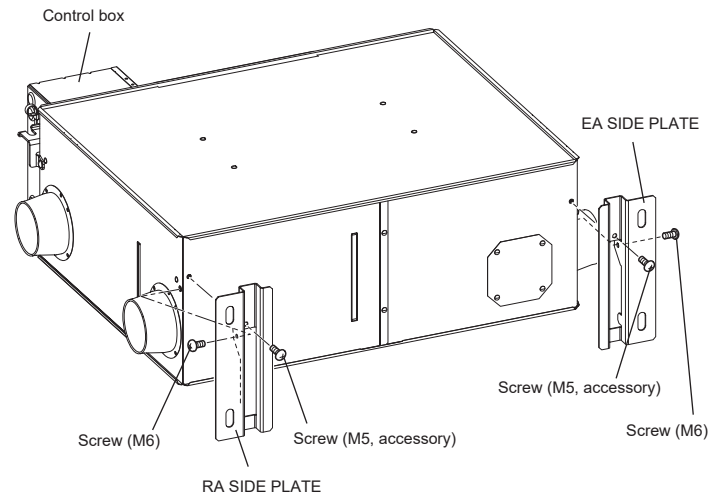
- Keep M6 screws in order to use them to fix vertical standing support plate.

### 4.2 Fix vertical standing support plate

During the installation of plates, Lossnay unit shall be put horizontally.

Mount vertical standing support plates to the edge near RA and EA with M6 screws which were removed in 4.1 and accessory M5 screws.

Remaining two ceiling suspension fixtures are also fixed with accessory M5 screws and M6 for anti-tip measurement.

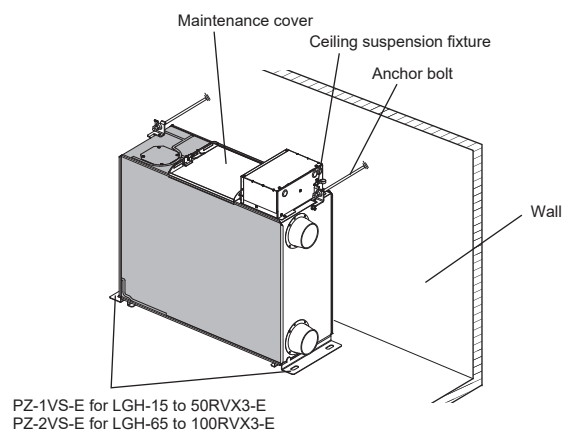


### NOTE

- Two support plates are not completely same shape. When they are mounted correctly, plates do not stick out from the thickness of the Lossnay unit.

### 4.3 Mounting Lossnay unit

Stand Lossnay unit up with support plates being bottom. Make sure to take anti-tip measure, for example fixing upper side ceiling fixtures with anchor bolts from the strong wall.



PZ-1VS-E for LGH-15 to 50RVX3-E  
PZ-2VS-E for LGH-65 to 100RVX3-E