

FTC7 Pre-Plumbed Cylinder **Slimline**

For Ecodan Monobloc Heat Pumps

Key Features:

- Pre-Plumbed and Pre-Wired
- DHW Plate Heat Exchanger combined with scale trap
- Low Loss Header
- Colour touch screen control
- MELCloud enabled

Key Benefits:

- Plug and play simple installation
- Excellent hot water recovery times
- Automatic heat pump flow rate regulation
- Intuitive user friendly operation
- Remote control, monitoring, maintenance and technical support



MELCloud



ecodan[®]
Renewable Heating Technology

| CYLINDER | | EHPT15X-UKHLEWS | EHPT17X-UKHLEWS |
|-----------------------------------|--|---|---|
| NOMINAL HOT WATER VOLUME (LITRES) | | 150 | 170 |
| ErP RATING | | C (Range A+ to F) | C (Range A+ to F) |
| HEAT LOSS (kWh/24hrs) | | 1.40 | 1.59 |
| HEAT LOSS (W) | | 58 | 66 |
| WATER | | Flow rate (l/min) - with R32 Heat Pump 5 / 6 / 8.5kW - with R290 Heat Pump 5 / 6 / 8kW | 14 / 17 / 24 14 / 17 / 23 |
| | | Primary Circuit Pump | Grundfos UPM4L 25-75 130AZA |
| | | Heating Circuit Pump | Grundfos UPM3 AUTO 25-70 130 |
| | | Sanitary Hot Water Pump | Grundfos UPSO 15-60 CIL2 |
| | | Connection Size (mm) Heating / DHW | 22 / 22 |
| | | Charge Pressure (MPa (Bar)) | 0.35 (3.5) |
| WATER SAFETY | | Water Circuit | Control Thermistor (°C) |
| | | DHW Cylinder | DHW Expansion Vessel (Litres) |
| | | | Control Thermistor (°C) |
| | | | Over Temperature Cut-Out (°C) |
| | | | Temp and Pressure Relief Valve (°C) / (MPa (Bar)) |
| | | | Expansion Relief Valve (Cold) (MPa (Bar)) |
| DIMENSIONS (mm) | | Width | 676 |
| | | Depth | 654 |
| | | Height | 1516 |
| WEIGHT EMPTY / FULL (kg) | | 59/209 | 63/233 |
| CYLINDER MATERIAL | | Cylinder | Cylinder Material |
| | | Insulation | Insulation Type |
| | | | Insulation Thickness (mm) |
| | | | GWP of Insulation |
| | | | ODP of Insulation |
| ELECTRICAL DATA | | Control Board - optionally powered by outdoor unit | Electrical Supply |
| | | | Phase |
| | | | Fuse Rating - MCB Sizes (A) ¹ |
| | | Immersion Heater | Electrical Supply |
| | | | Phase |
| | | | Capacity (kW) |
| | | | Max Running Current (A) |
| | | | Fuse Rating - MCB Sizes (A) ¹ |

DHW and 1 Heating Zone²

MECHANICAL ZONES

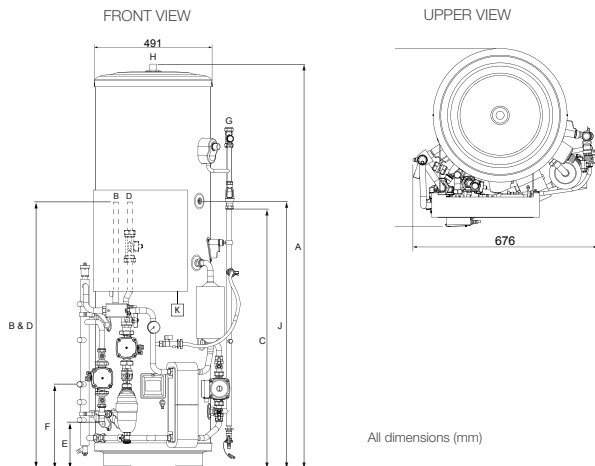
OPTIONAL WIRELESS ROOM THERMOSTAT AND WIRELESS RECEIVER

PAR-WT60R-E Controller and PAR-WR61R-E Receiver

¹ MCB Sizes BS EN60898-2 & BS EN60947-2 ² Optional 2 zone accessory pack available.

Notes: Cylinder includes: Flow Temperature Controller (FTC7) with Main Controller and Temperature Sensors, Heat Pump Filter, Pumps & Valves for Primary Circuit and Zone 1 and DHW use, Flow Sensor, Plate Heat Exchanger, Scale Trap, 3kW Immersion Heater, Expansion Vessel, Diverter Valve and Low Loss Header.

EHPT15-17X-UKHLEWS DIMENSIONS



KEY

- A OVERALL HEIGHT
- B HEAT PUMP FLOW CONNECTION (22mm O/D COPPER)
- C TUNDISH OUTLET CONNECTION (22mm COMPRESSION)
- D HEAT PUMP RETURN CONNECTION (22mm O/D COPPER)
- E HEATING ZONE 1 CIRCUIT FLOW CONNECTION (22mm O/D COPPER)
- F HEATING ZONE 1 CIRCUIT RETURN CONNECTION (22mm O/D COPPER)
- G COLD WATER INLET CONNECTION (22mm COMPRESSION)
- H HOT WATER OUTLET CONNECTION (22mm COMPRESSION / 3/4" BSP M)
- J THWSA SENSOR POCKET
- K WI-FI ADAPTOR (INCLUDED, INSTALLER TO LOCATE AND MOUNT)

| Capacity | 150 | 170 |
|----------|-------------------------------|------|
| A | 1516 | 1690 |
| B | 1127 | 1127 |
| C | 909 | 1083 |
| D | 1127 | 1127 |
| E | 194 | 194 |
| F | 350 | 350 |
| J | 943 | 1117 |
| K | Installer to locate and mount | |



Telephone: 01707 282880
email: heating@meuk.mee.com
ecodan.co.uk



UNITED KINGDOM Mitsubishi Electric Europe Living Environment Systems Division, Travellers Lane, Hatfield, Hertfordshire, AL10 8XB, England. Telephone: 01707 282880 Fax: 01707 278881
IRELAND Mitsubishi Electric Europe, Westgate Business Park, Ballymount, Dublin 24, Ireland. Telephone: (01) 419 8800 Fax: (01) 419 8890 International code: (003531)

Country of origin: United Kingdom - Japan - Thailand - Malaysia. ©Mitsubishi Electric Europe 2022. Mitsubishi and Mitsubishi Electric are trademarks of Mitsubishi Electric Europe B.V. The company reserves the right to make any variation in technical specification to the equipment described, or to withdraw or replace products without prior notification or public announcement. Mitsubishi Electric is constantly developing and improving its products. All descriptions, illustrations, drawings and specifications in this publication present only general particulars and shall not form part of any contract. All goods are supplied subject to the Company's General Conditions of Sale, a copy of which is available on request. Third-party product and brand names may be trademarks or registered trademarks of their respective owners.

Note: Refer to 'Installation Manual' and 'Instruction Book' for further 'Technical Information'. The fuse rating is for guidance only and please refer to the relevant databook for detailed specification. It is the responsibility of a qualified electrician/electrical engineer to select the correct cable size and fuse rating based on current regulation and site specific conditions. Mitsubishi Electric's air conditioning equipment and heat pump systems contain a fluorinated greenhouse gas, R290 (GWP:3) R410A (GWP:2088), R32 (GWP:675), R407C (GWP:1774), R134a (GWP:1430), R513A (GWP:631), R454B (GWP:466), R1234ze (GWP:7) or R1234yf (GWP:4). *These GWP values are based on Regulation (EU) No 517/2014 from IPCC 4th edition. In case of Regulation (EU) No.626/2011 from IPCC 3rd edition, these are as follows. R410A (GWP:1975), R32 (GWP:550), R407C (GWP:1650) or R134a (GWP:1300).

Effective as of January 2025

