

Revision F:

• Parts numbers of the outdoor control P.C. board, the outdoor power P.C. board, the reactor and the compressor for MXZ-3HA50VF2 - **E1**, **ET1** have been changed.

OBB828 REVISED EDITION-E is void.

OUTDOOR UNIT

PARTS CATALOG



**No. OBB828
REVISED EDITION-F**

Models

MXZ-2HA40VF - **E1**, **ET1**, **ER1**, **E2**

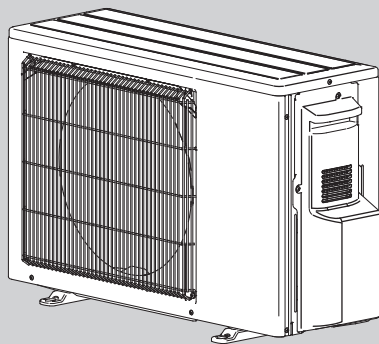
MXZ-2HA40VF2 - **E1**, **ET1**

MXZ-2HA50VF - **E1**, **ET1**, **ER1**, **E2**

MXZ-2HA50VF2 - **E1**, **ET1**

MXZ-3HA50VF - **E1**, **ET1**, **ER1**, **E2**, **ET2**, **ER2**, **E3**

MXZ-3HA50VF2 - **E1**, **ET1**



MXZ-2HA40VF
MXZ-2HA40VF2
MXZ-2HA50VF
MXZ-2HA50VF2

CONTENTS

- 1. SERVICE PARTS LIST 2
- 2. OPTIONAL PARTS 22

SERVICE MANUAL (OBH828)

Revision A:

- Some descriptions have been modified.

Revision B:

- MXZ-2HA40/50VF-**E2** and MXZ-3HA50VF-**E2** have been added.

Revision C:

- MXZ-2HA40/50VF-**ER1** and MXZ-3HA50VF-**ER1** have been added.

Revision D:

- MXZ-3HA50VF - **ET2**, **ER2**, **E3** have been added.

Revision E:

- MXZ-2HA40VF2 - **E1**, **ET1**, MXZ-2HA50VF2 - **E1**, **ET1** and MXZ-3HA50VF2 - **E1**, **ET1** have been added.

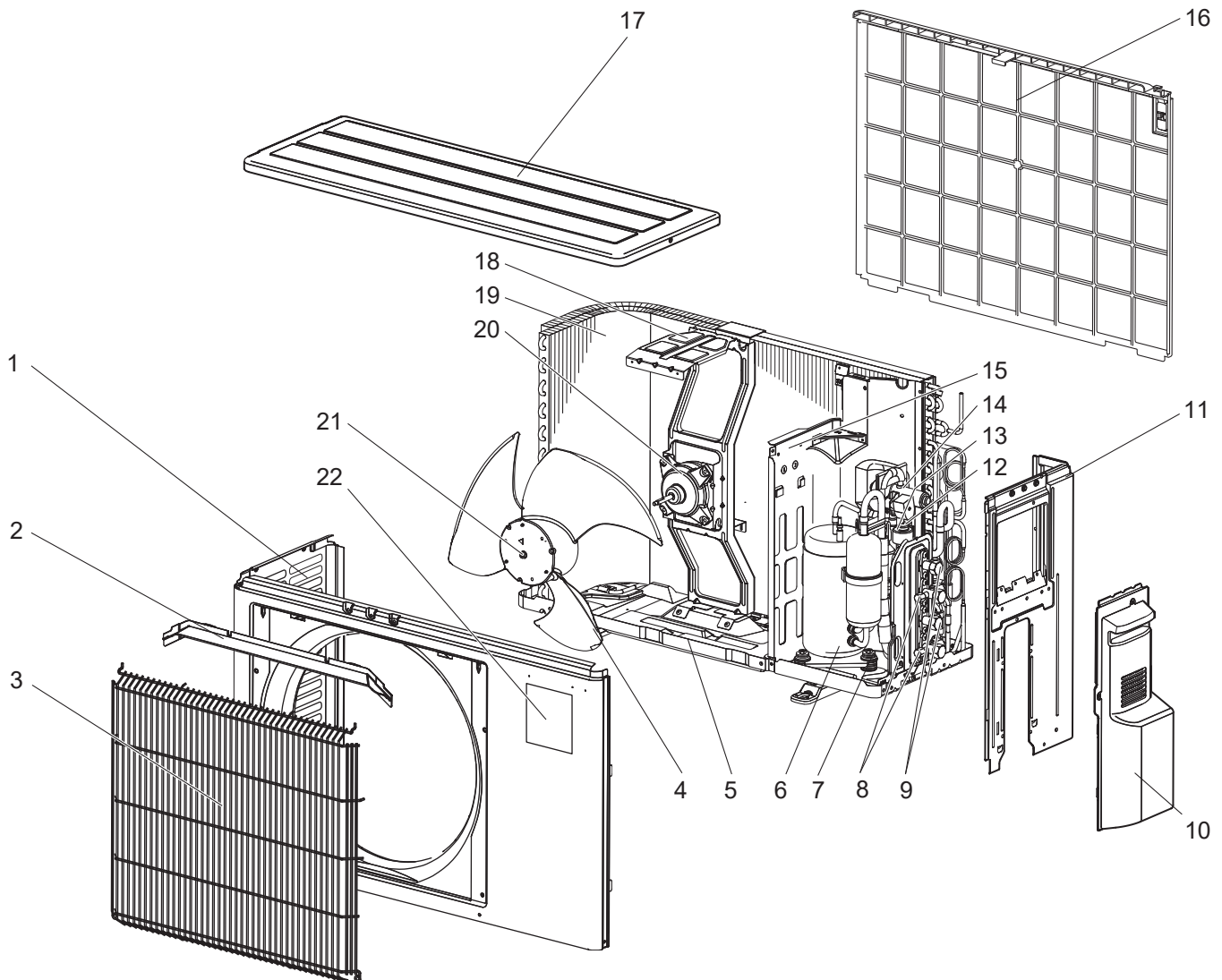
Revision F:

- Parts numbers of the outdoor control P.C. board, the outdoor power P.C. board, the reactor and the compressor for MXZ-3HA50VF2 - **E1**, **ET1** have been changed.

1 SERVICE PARTS LIST

MXZ-2HA40VF MXZ-2HA50VF

1-1. OUTDOOR UNIT STRUCTURAL PARTS AND FUNCTIONAL PARTS

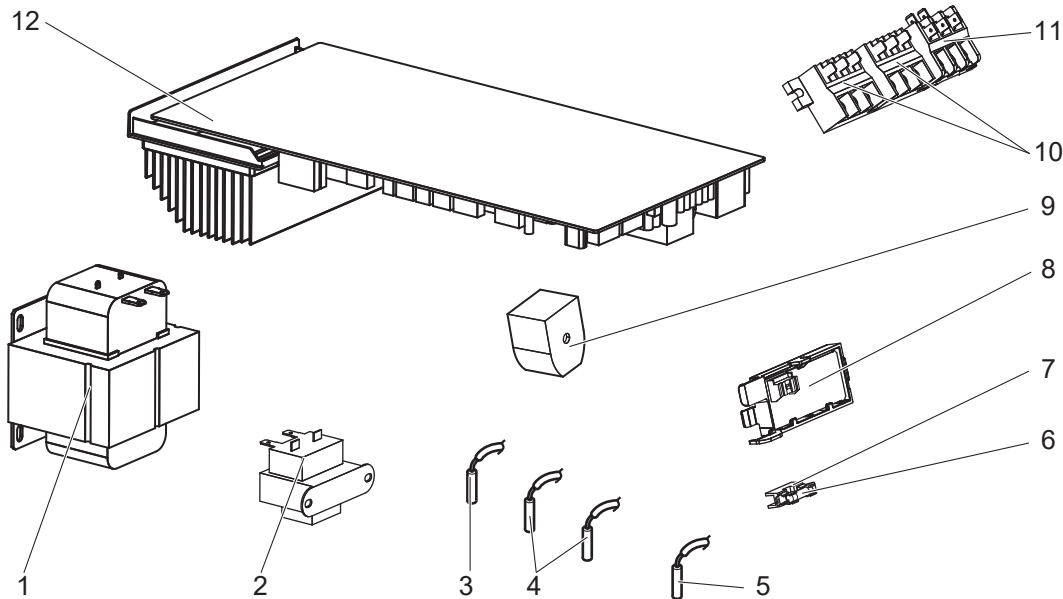


1-1. OUTDOOR UNIT STRUCTURAL PARTS AND FUNCTIONAL PARTS

1. The part quantity below indicates the required number of pieces per unit.
2. The circled No. indicates that the part is not shown in the figure.

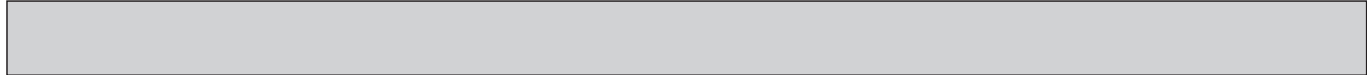
| No. | Part No. | Part Name | MXZ-2HA40VF - | ET1 | MXZ-2HA40VF - | ET1 | MXZ-2HA40VF - | ER1 | MXZ-2HA40VF - | E2 | MXZ-2HA50VF - | E1 | MXZ-2HA50VF - | ET1 | MXZ-2HA50VF - | ER1 | MXZ-2HA50VF - | E2 | Symbol In Wiring Diagram | Remarks [Drawing No.] |
|-----|-------------|--------------------------|---------------|-----|---------------|-----|---------------|-----|---------------|----|---------------|----|---------------|-----|---------------|-----|---------------|-------|---|--------------------------|
| | | | E1 | ET1 | ER1 | E2 | E1 | ET1 | ER1 | E2 | | | | | | | | | | |
| 1 | E22 J63 232 | CABINET | 1 | 1 | 1 | 1 | 1 | 1 | 1 | 1 | 1 | 1 | 1 | 1 | 1 | 1 | 1 | | | |
| 2 | E22 J63 531 | ICE GUARD | 1 | 1 | 1 | 1 | 1 | 1 | 1 | 1 | 1 | 1 | 1 | 1 | 1 | 1 | 1 | | | |
| 3 | E22 J63 521 | GRILLE | 1 | 1 | 1 | 1 | 1 | 1 | 1 | 1 | 1 | 1 | 1 | 1 | 1 | 1 | 1 | | | |
| 4 | E22 927 501 | PROPELLER FAN | 1 | 1 | 1 | 1 | 1 | 1 | 1 | 1 | 1 | 1 | 1 | 1 | 1 | 1 | 1 | | | |
| 5 | E22 J63 290 | BASE | 1 | 1 | 1 | 1 | 1 | 1 | 1 | 1 | 1 | 1 | 1 | 1 | 1 | 1 | 1 | | | |
| 6 | E22 R83 900 | COMPRESSOR | 1 | 1 | 1 | 1 | 1 | 1 | 1 | 1 | 1 | 1 | 1 | 1 | 1 | 1 | 1 | MC | SVB130FBBMT | |
| 7 | E22 C34 506 | COMPRESSOR RUBBER SET | 3 | 3 | 3 | 3 | 3 | 3 | 3 | 3 | 3 | 3 | 3 | 3 | 3 | 3 | 3 | | 3 RUBBERS/SET | |
| 8 | E22 T95 661 | STOP VALVE (GAS) 3/8 | 2 | 2 | 2 | 2 | 2 | 2 | 2 | 2 | 2 | 2 | 2 | 2 | 2 | 2 | 2 | | Ø9.52 | |
| 9 | E22 T95 662 | STOP VALVE (LIQUID) 1/4 | 2 | 2 | 2 | 2 | 2 | 2 | 2 | 2 | 2 | 2 | 2 | 2 | 2 | 2 | 2 | | Ø6.35 | |
| 10 | E22 J63 245 | SERVICE PANEL | 1 | 1 | 1 | 1 | 1 | 1 | 1 | 1 | 1 | 1 | 1 | 1 | 1 | 1 | 1 | | | |
| 11 | E22 J63 233 | BACK PANEL | 1 | 1 | 1 | 1 | 1 | 1 | 1 | 1 | 1 | 1 | 1 | 1 | 1 | 1 | 1 | | | |
| 12 | E27 F03 640 | EXPANSION VALVE | 1 | 1 | 1 | 1 | 1 | 1 | 1 | 1 | 1 | 1 | 1 | 1 | 1 | 1 | 1 | | ROOM B | |
| 13 | E22 90C 493 | EXPANSION VALVE COIL | 1 | 1 | 1 | 1 | 1 | 1 | 1 | 1 | 1 | 1 | 1 | 1 | 1 | 1 | 1 | LEV B | BLUE | |
| 14 | E22 A47 961 | 4-WAY VALVE | 1 | 1 | 1 | 1 | 1 | 1 | 1 | 1 | 1 | 1 | 1 | 1 | 1 | 1 | 1 | | | |
| 15 | E22 G11 293 | SEPARATOR | 1 | 1 | 1 | 1 | 1 | 1 | 1 | 1 | 1 | 1 | 1 | 1 | 1 | 1 | 1 | | | |
| 16 | E22 G06 523 | CONDENSER NET | 1 | 1 | 1 | 1 | 1 | 1 | 1 | 1 | 1 | 1 | 1 | 1 | 1 | 1 | 1 | | | |
| 17 | E22 J63 297 | TOP PANEL | 1 | 1 | 1 | 1 | 1 | 1 | 1 | 1 | 1 | 1 | 1 | 1 | 1 | 1 | 1 | | Includes PL NOTICE, SERVICE NOTE | |
| 18 | E22 R50 515 | MOTOR SUPPORT | 1 | 1 | 1 | 1 | 1 | 1 | 1 | 1 | 1 | 1 | 1 | 1 | 1 | 1 | 1 | | | |
| 19 | E22 G06 630 | OUTDOOR HEAT EXCHANGER | 1 | 1 | 1 | 1 | 1 | 1 | 1 | 1 | 1 | 1 | 1 | 1 | 1 | 1 | 1 | | | |
| 20 | E22 P03 301 | OUTDOOR FAN MOTOR | 1 | 1 | 1 | 1 | 1 | 1 | 1 | 1 | 1 | 1 | 1 | 1 | 1 | 1 | 1 | MF | | |
| 21 | E27 L05 508 | PROPELLER FAN NUT | 1 | 1 | 1 | 1 | 1 | 1 | 1 | 1 | 1 | 1 | 1 | 1 | 1 | 1 | 1 | | | |
| 22 | — | BRAND LABEL | 1 | 1 | 1 | 1 | 1 | 1 | 1 | 1 | 1 | 1 | 1 | 1 | 1 | 1 | 1 | | [DK79G041H02] | |
| 23 | E22 838 936 | CAPILLARY TUBE | 2 | 2 | 2 | 2 | 2 | 2 | 2 | 2 | 2 | 2 | 2 | 2 | 2 | 2 | 2 | | Ø3.0 × Ø2.0 × 200 | |
| 24 | E27 F03 640 | EXPANSION VALVE | 1 | 1 | 1 | 1 | 1 | 1 | 1 | 1 | 1 | 1 | 1 | 1 | 1 | 1 | 1 | | ROOM A | |
| 25 | E22 89C 493 | EXPANSION VALVE COIL | 1 | 1 | 1 | 1 | 1 | 1 | 1 | 1 | 1 | 1 | 1 | 1 | 1 | 1 | 1 | LEV A | RED | |
| 26 | E27 N04 250 | SCREW TS.ST 4 x 10 | 25 | 25 | 25 | 25 | 25 | 25 | 25 | 25 | 25 | 25 | 25 | 25 | 25 | 25 | 25 | | | |
| 27 | E27 M71 078 | THERMO COVER | 1 | 1 | 1 | 1 | 1 | 1 | 1 | 1 | 1 | 1 | 1 | 1 | 1 | 1 | 1 | | | |
| 28 | — | COMPRESSOR LEAD ASSEMBLY | 1 | 1 | 1 | 1 | 1 | 1 | 1 | 1 | 1 | 1 | 1 | 1 | 1 | 1 | 1 | | [DM78R445G06] | |
| 29 | — | COMPRESSOR FELT (TOP) | 1 | 1 | 1 | 1 | 1 | 1 | 1 | 1 | 1 | 1 | 1 | 1 | 1 | 1 | 1 | | [SU33R462H02] | |
| 30 | — | COMPRESSOR FELT (BODY) | 1 | 1 | 1 | 1 | 1 | 1 | 1 | 1 | 1 | 1 | 1 | 1 | 1 | 1 | 1 | | [BT33B019H03] | |
| 31 | — | COMPRESSOR FELT (OUTER) | 1 | 1 | 1 | 1 | 1 | 1 | 1 | 1 | 1 | 1 | 1 | 1 | 1 | 1 | 1 | | [SU33N495H02] | |
| 32 | E22 94G 645 | EXPANSION VALVE ASSEMBLY | 1 | 1 | 1 | 1 | 1 | 1 | 1 | 1 | 1 | 1 | 1 | 1 | 1 | 1 | 1 | | Includes STOP VALVES (LIQ, GAS), LEV body, Capillary tubes (Ø3.0 × Ø2.0 × 200) | |

MXZ-2HA40VF MXZ-2HA50VF
1-2. OUTDOOR UNIT ELECTRICAL PARTS

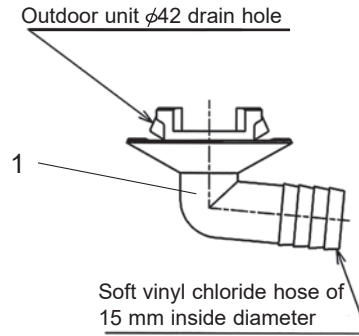


1. The part quantity below indicates the required number of pieces per unit.

| No. | Part No. | Part Name | □ E1 | □ ET1 | □ ER1 | □ E2 | □ E1 | □ ET1 | □ ER1 | □ E2 | Symbol In Wiring Diagram | Remarks [Drawing No.] |
|-----|-------------|--|---------------|---------------|---------------|---------------|---------------|---------------|---------------|---------------|--------------------------------|--------------------------------|
| | | | MXZ-2HA40VF - | MXZ-2HA40VF - | MXZ-2HA40VF - | MXZ-2HA40VF - | MXZ-2HA50VF - | MXZ-2HA50VF - | MXZ-2HA50VF - | MXZ-2HA50VF - | | |
| 1 | E22 G11 337 | REACTOR | 1 | 1 | 1 | 1 | 1 | 1 | 1 | 1 | ACL | 10A 23μH |
| 2 | E22 J63 337 | REACTOR | 1 | 1 | 1 | 1 | 1 | 1 | 1 | 1 | ACL2 | 2A 25μH |
| 3 | E22 W50 307 | OUTDOOR HEAT EXCHANGER TEMPERATURE THERMISTOR | 1 | 1 | 1 | 1 | 1 | 1 | 1 | 1 | RT68 | |
| 4 | E22 78A 308 | THERMISTOR SET | 1 | 1 | 1 | 1 | 1 | 1 | 1 | 1 | RT61,62 | DEFROST, DISCHARGE |
| 5 | E22 W50 309 | AMBIENT TEMPERATURE THERMISTOR | 1 | 1 | 1 | 1 | 1 | 1 | 1 | 1 | RT65 | |
| 6 | E22 784 382 | FUSE | 1 | 1 | 1 | 1 | 1 | 1 | 1 | 1 | F1 | T3.15AL250V |
| 7 | E27 001 241 | FUSE HOLDER | 1 | 1 | 1 | 1 | 1 | 1 | 1 | 1 | | |
| 8 | E22 J63 329 | OUTDOOR DISPLAY P.C. BOARD | 1 | 1 | 1 | 1 | 1 | 1 | 1 | 1 | | |
| 9 | E22 A47 490 | R.V. COIL | 1 | 1 | 1 | 1 | 1 | 1 | 1 | 1 | 21S4 | Includes HEXAGON BOLT |
| 10 | E22 935 374 | TERMINAL BLOCK | 2 | 2 | 2 | 2 | 2 | 2 | 2 | 2 | TB2,TB3 | Indoor unit connecting |
| 11 | E22 F29 374 | TERMINAL BLOCK | 1 | 1 | 1 | 1 | 1 | 1 | 1 | 1 | TB1 | Power supply |
| 12 | E22 94G 451 | INVERTER P.C. BOARD | 1 | 1 | 1 | 1 | | | | | | Includes heat sink and RT64 |
| 12 | E22 95G 451 | INVERTER P.C. BOARD | | | | | 1 | 1 | 1 | 1 | | Includes heat sink and RT64 |



MXZ-2HA40VF MXZ-2HA50VF
1-3. DRAIN SOCKET

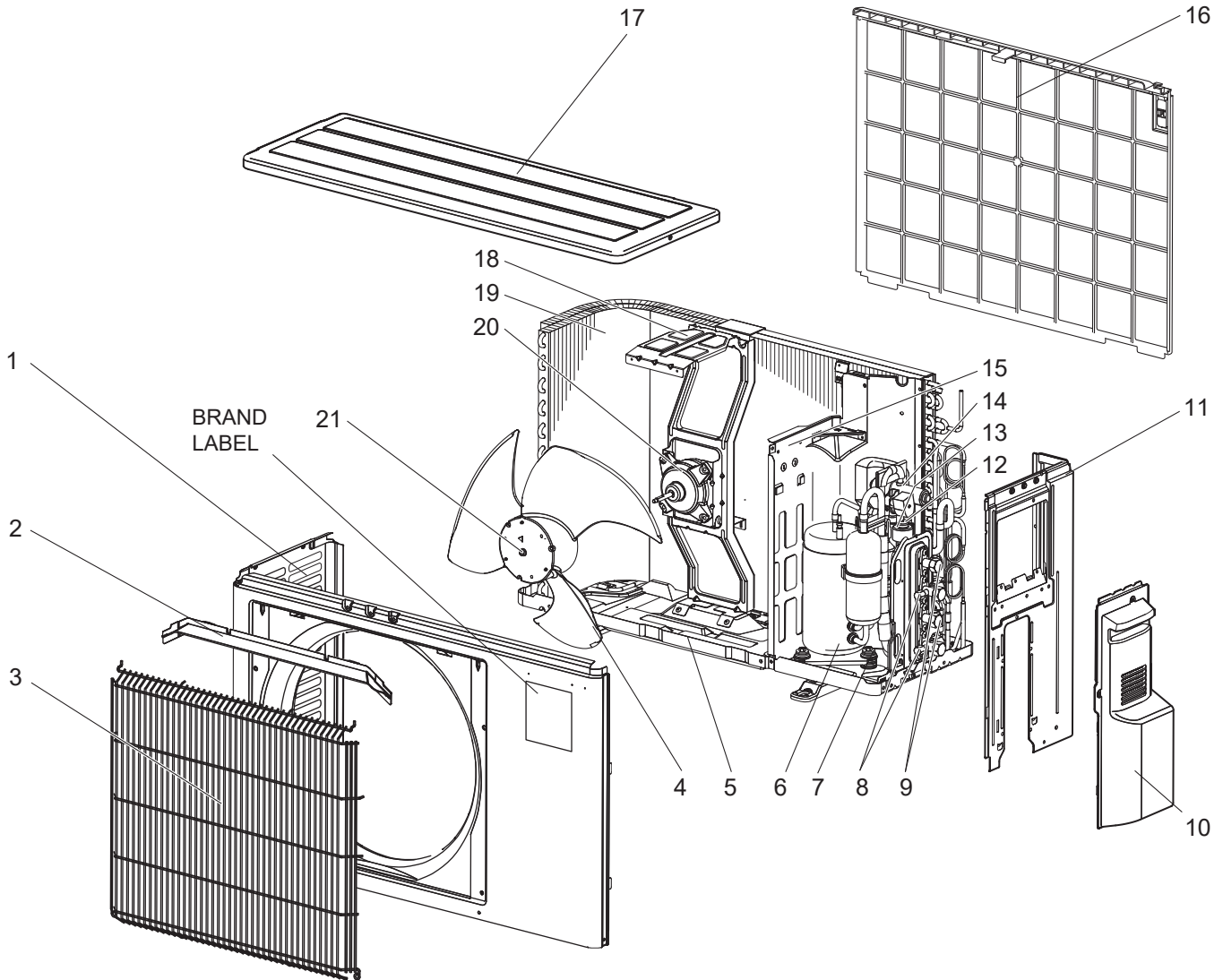


1. The part quantity below indicates the required number of pieces per unit.

| No. | Part No. | Part Name | ET | ET1 | ER1 | E2 | E1 | ET1 | ER1 | E2 | Symbol In Wiring Diagram | Remarks |
|-----|-------------|--------------|---------------|---------------|---------------|---------------|---------------|---------------|---------------|---------------|--------------------------------|---------|
| | | | MXZ-2HA40VF - | MXZ-2HA40VF - | MXZ-2HA40VF - | MXZ-2HA40VF - | MXZ-2HA50VF - | MXZ-2HA50VF - | MXZ-2HA50VF - | MXZ-2HA50VF - | | |
| 1 | E22 838 704 | DRAIN SOCKET | 1 | 1 | 1 | 1 | 1 | 1 | 1 | 1 | | |

MXZ-2HA40VF2 MXZ-2HA50VF2

1-4. OUTDOOR UNIT STRUCTURAL PARTS AND FUNCTIONAL PARTS

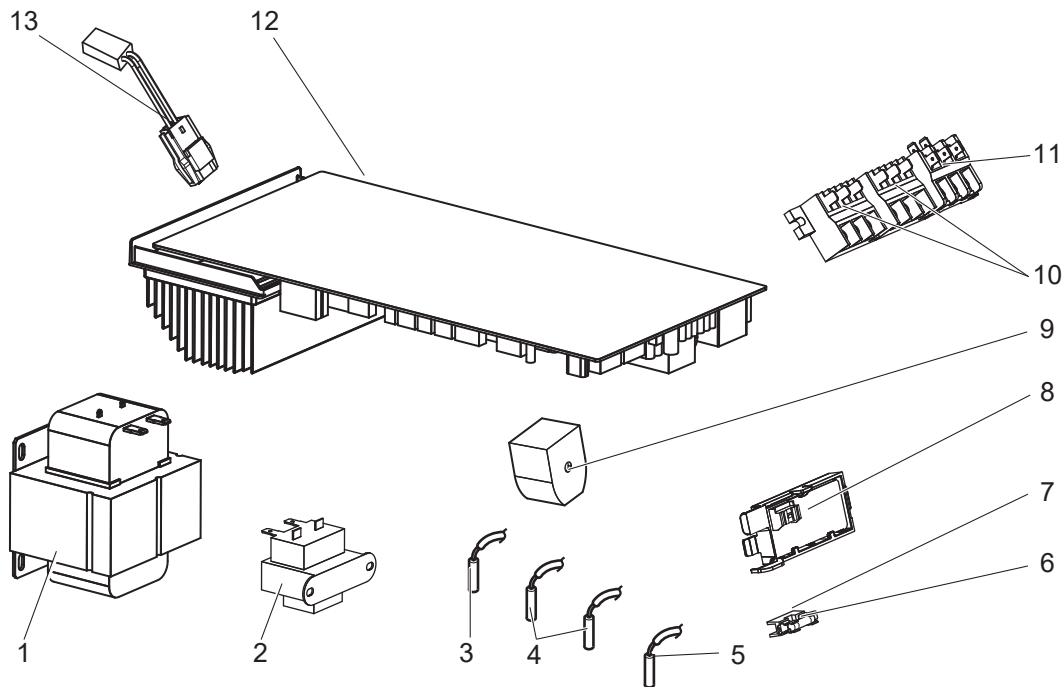


1-4. OUTDOOR UNIT STRUCTURAL PARTS AND FUNCTIONAL PARTS

1. The part quantity below indicates the required number of pieces per unit.
2. The circled No. indicates that the part is not shown in the figure.

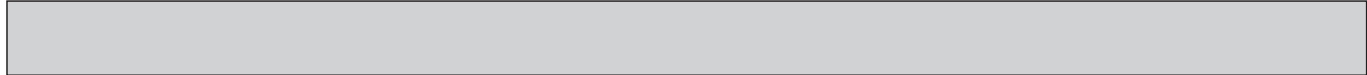
| No. | Part No. | Part Name | MXZ-2HA40VF2 - E1 | MXZ-2HA40VF2 - ET1 | MXZ-2HA50VF2 - E1 | MXZ-2HA50VF2 - ET1 | Symbol In Wiring Diagram | Remarks [Drawing No.] |
|-----|-------------|--------------------------|-------------------|--------------------|-------------------|--------------------|--------------------------|--|
| 1 | E22 51V 232 | CABINET | 1 | 1 | 1 | 1 | | |
| 2 | E22 J63 531 | ICE GUARD | 1 | 1 | 1 | 1 | | |
| 3 | E22 Y84 521 | GRILLE | 1 | 1 | 1 | 1 | | |
| 4 | E22 927 501 | PROPELLER FAN | 1 | 1 | 1 | 1 | | |
| 5 | E22 98W 290 | BASE | 1 | 1 | 1 | 1 | | |
| 6 | E22 46W 900 | COMPRESSOR | 1 | 1 | 1 | 1 | MC | SVB130FBBMT |
| 7 | E22 C34 506 | COMPRESSOR RUBBER SET | 3 | 3 | 3 | 3 | | 3 RUBBERS/SET |
| 8 | E22 T95 661 | STOP VALVE (GAS) 3/8 | 2 | 2 | 2 | 2 | | Ø9.52 |
| 9 | E22 T95 662 | STOP VALVE (LIQUID) 1/4 | 2 | 2 | 2 | 2 | | Ø6.35 |
| 10 | E22 R81 245 | SERVICE PANEL | 1 | 1 | 1 | 1 | | |
| 11 | E22 J63 233 | BACK PANEL | 1 | 1 | 1 | 1 | | |
| 12 | E27 F03 640 | EXPANSION VALVE | 1 | 1 | 1 | 1 | | ROOM B |
| 13 | E22 90C 493 | EXPANSION VALVE COIL | 1 | 1 | 1 | 1 | LEV B | BLUE |
| 14 | E22 A47 961 | 4-WAY VALVE | 1 | 1 | 1 | 1 | | |
| 15 | E22 51V 293 | SEPARATOR | 1 | 1 | 1 | 1 | | |
| 16 | E22 G06 523 | CONDENSER NET | 1 | 1 | 1 | 1 | | |
| 17 | E22 51V 297 | TOP PANEL | 1 | 1 | 1 | 1 | | Includes PL NOTICE, SERVICE NOTE |
| 18 | E22 R50 515 | MOTOR SUPPORT | 1 | 1 | 1 | 1 | | |
| 19 | E22 95K 630 | OUTDOOR HEAT EXCHANGER | 1 | 1 | 1 | 1 | | |
| 20 | E22 P03 301 | OUTDOOR FAN MOTOR | 1 | 1 | 1 | 1 | MF | RC0J50-□□ |
| 21 | E27 L05 508 | PROPELLER FAN NUT | 1 | 1 | 1 | 1 | | |
| ②② | E22 838 936 | CAPILLARY TUBE | 2 | 2 | 2 | 2 | | Ø3.0 × Ø2.0 × 200 |
| ②③ | E27 F03 640 | EXPANSION VALVE | 1 | 1 | 1 | 1 | | ROOM A |
| ②④ | E22 89C 493 | EXPANSION VALVE COIL | 1 | 1 | 1 | 1 | LEV A | RED |
| ②⑤ | E27 M71 078 | THERMO HOLDER COVER | 1 | 1 | 1 | 1 | | for RT65 |
| ②⑥ | E22 99W 645 | EXPANSION VALVE ASSEMBLY | 1 | 1 | 1 | 1 | | Includes STOP VALVES (LIQ, GAS), LEV body, Capillary tubes (Ø3.0 × Ø2.0 × 200) |

MXZ-2HA40VF2 MXZ-2HA50VF2
1-5. OUTDOOR UNIT ELECTRICAL PARTS



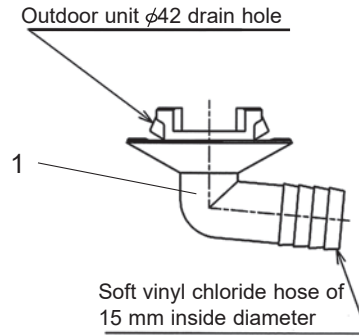
1. The part quantity below indicates the required number of pieces per unit.

| No. | Part No. | Part Name | ET | ET1 | E1 | ET1 | Symbol In Wiring Diagram | Remarks [Drawing No.] |
|-----|-------------|--|----------------|----------------|----------------|----------------|--------------------------------|-----------------------------|
| | | | MXZ-2HA40VF2 - | MXZ-2HA40VF2 - | MXZ-2HA50VF2 - | MXZ-2HA50VF2 - | | |
| 1 | E22 20A 337 | REACTOR | 1 | 1 | 1 | 1 | ACL | 10A 23μH |
| 2 | E22 J63 337 | REACTOR | 1 | 1 | 1 | 1 | ACL2 | 2A 25μH |
| 3 | E22 94K 307 | OUTDOOR HEAT EXCHANGER TEMPERATURE THERMISTOR | 1 | 1 | 1 | 1 | RT68 | |
| 4 | E22 94K 308 | THERMISTOR SET | 1 | 1 | 1 | 1 | RT61,62 | DEFROST, DISCHARGE |
| 5 | E22 W50 309 | AMBIENT TEMPERATURE THERMISTOR | 1 | 1 | 1 | 1 | RT65 | |
| 6 | E22 784 382 | FUSE | 1 | 1 | 1 | 1 | F1 | T3.15AL250V |
| 7 | E27 001 241 | FUSE HOLDER | 1 | 1 | 1 | 1 | | |
| 8 | E22 J63 329 | OUTDOOR DISPLAY P.C. BOARD | 1 | 1 | 1 | 1 | | |
| 9 | E22 A47 490 | R.V. COIL | 1 | 1 | 1 | 1 | 21S4 | Includes HEXAGON BOLT |
| 10 | E22 935 374 | TERMINAL BLOCK | 2 | 2 | 2 | 2 | TB2,TB3 | Indoor unit connecting |
| 11 | E22 F29 374 | TERMINAL BLOCK | 1 | 1 | 1 | 1 | TB1 | Power supply |
| 12 | E22 06X 451 | INVERTER P.C. BOARD | 1 | 1 | | | | Includes heat sink and RT64 |
| 12 | E22 07X 451 | INVERTER P.C. BOARD | | | 1 | 1 | | Includes heat sink and RT64 |
| 13 | E22 51V 381 | THERMAL PROTECTOR | 1 | 1 | 1 | 1 | TRS | |



MXZ-2HA40VF2 MXZ-2HA50VF2

1-6. DRAIN SOCKET

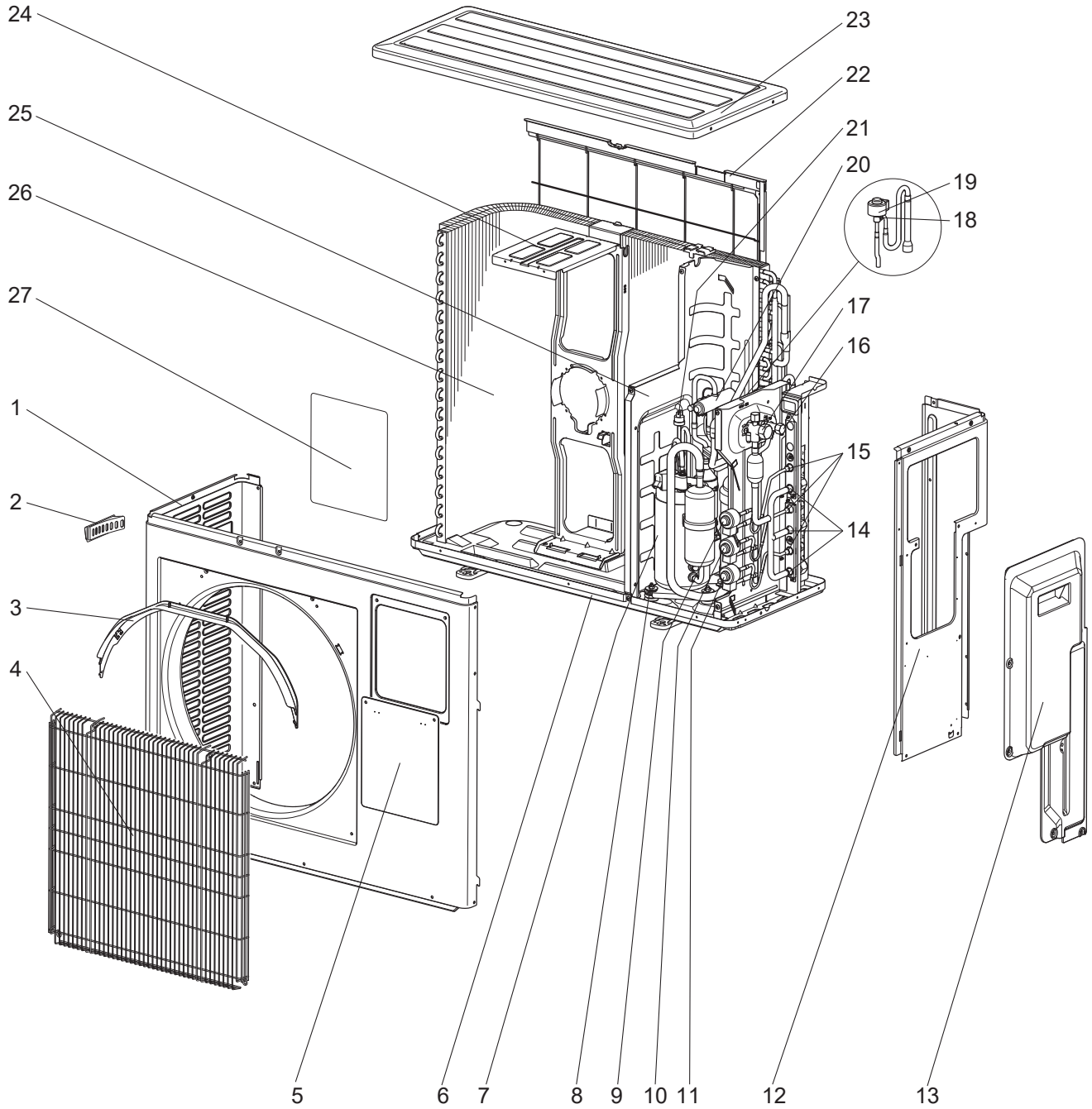


1. The part quantity below indicates the required number of pieces per unit.

| No. | Part No. | Part Name | MXZ-2HA40VF2 - E1 | MXZ-2HA40VF2 - ET1 | MXZ-2HA50VF2 - E1 | MXZ-2HA50VF2 - ET1 | Symbol In Wiring Diagram | Remarks |
|-----|-------------|--------------|---|--|---|--|--------------------------|---------|
| 1 | E22 838 704 | DRAIN SOCKET | 1 | 1 | 1 | 1 | | |

MXZ-3HA50VF - E1, ET1, ER1, E2, ET2, ER2

1-7. OUTDOOR UNIT STRUCTURAL PARTS AND FUNCTIONAL PARTS



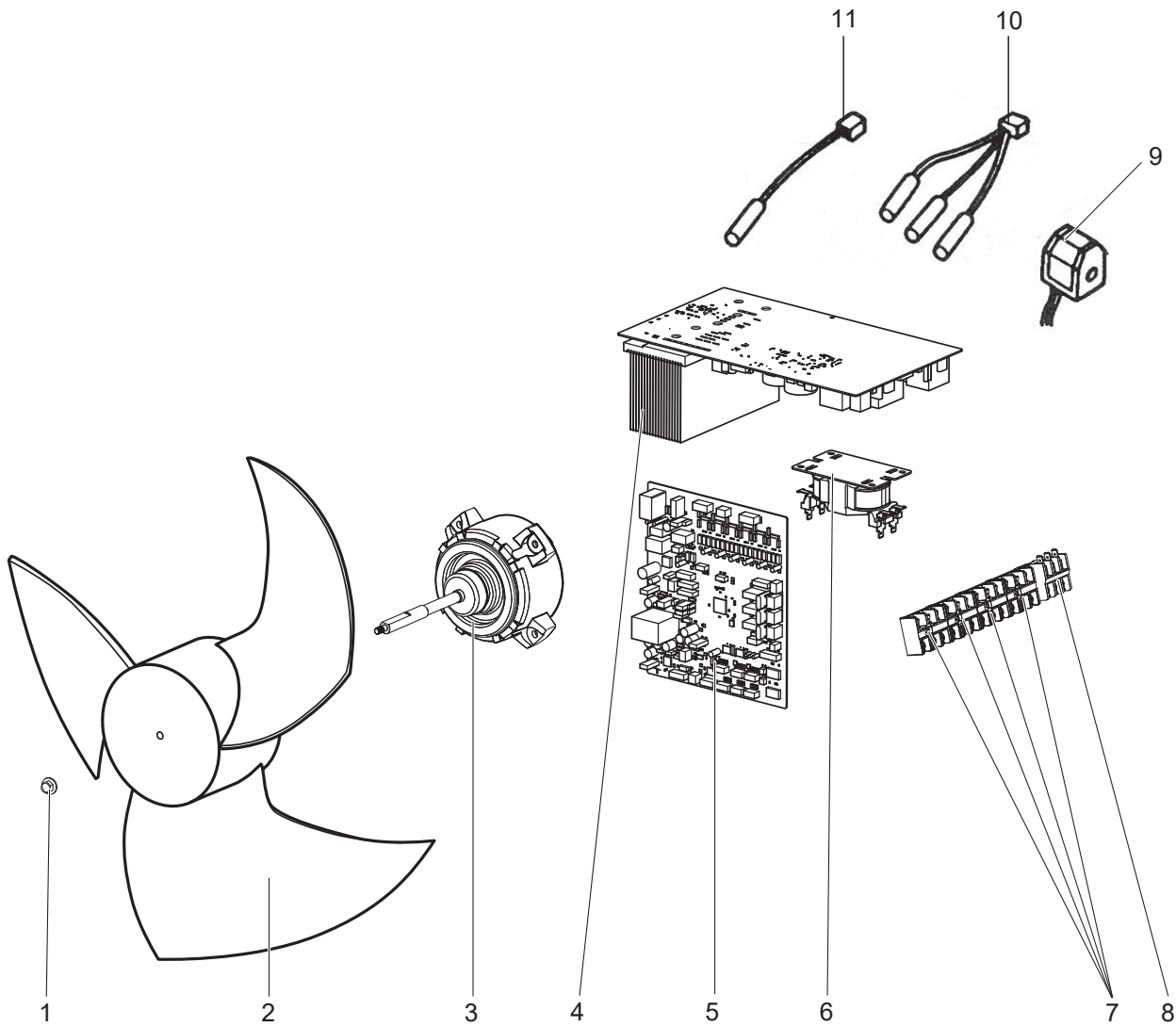
1-7. OUTDOOR UNIT STRUCTURAL PARTS AND FUNCTIONAL PARTS

1. The part quantity below indicates the required number of pieces per unit.
2. The circled No. indicates that the part is not shown in the figure.

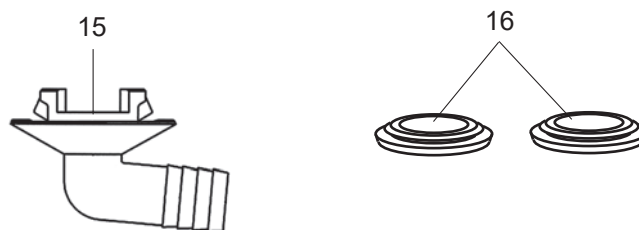
| No. | Part No. | Part Name | MXZ-3HA50VF - E1 | MXZ-3HA50VF - ET1 | MXZ-3HA50VF - ER1 | MXZ-3HA50VF - E2 | MXZ-3HA50VF - ET2 | MXZ-3HA50VF - ER2 | Symbol In Wiring Diagram | Remarks [Drawing No.] |
|-----|-------------|--------------------------|------------------|-------------------|-------------------|------------------|-------------------|-------------------|--------------------------|--|
| 1 | E22 T07 232 | CABINET | 1 | 1 | 1 | 1 | 1 | 1 | | |
| 2 | E22 817 009 | HANDLE | 1 | 1 | 1 | 1 | 1 | 1 | | |
| 3 | E22 J69 531 | ICE GUARD | 1 | 1 | 1 | 1 | 1 | 1 | | |
| 4 | E22 R24 521 | GRILLE | 1 | 1 | 1 | 1 | 1 | 1 | | |
| 5 | E22 T07 246 | SUB PANEL | 1 | 1 | 1 | 1 | 1 | 1 | | |
| 6 | E22 T07 290 | BASE | 1 | 1 | 1 | 1 | 1 | 1 | | |
| 7 | E22 92C 900 | COMPRESSOR | 1 | 1 | 1 | 1 | 1 | 1 | MC | SVB130FBBM1T |
| 8 | E22 C34 506 | COMPRESSOR RUBBER SET | 3 | 3 | 3 | 3 | 3 | 3 | | 3 RUBBERS SET |
| 9 | E27 F03 640 | EXPANSION VALVE | 1 | 1 | 1 | 1 | 1 | 1 | | C room, LEV C, body Includes DAMPER |
| 9 | E22 94C 493 | EXPANSION VALVE COIL | 1 | 1 | 1 | 1 | 1 | 1 | LEV C | C room, BLUE |
| 10 | E27 F03 640 | EXPANSION VALVE | 1 | 1 | 1 | 1 | 1 | 1 | | B room, LEV B, body Includes DAMPER |
| 10 | E22 93C 493 | EXPANSION VALVE COIL | 1 | 1 | 1 | 1 | 1 | 1 | LEV B | B room, RED |
| 11 | E27 F03 640 | EXPANSION VALVE | 1 | 1 | 1 | 1 | 1 | 1 | | A room, LEV A, body Includes DAMPER |
| 11 | E22 92C 493 | EXPANSION VALVE COIL | 1 | 1 | 1 | 1 | 1 | 1 | LEV A | A, room, WHITE |
| 12 | E22 R51 233 | BACK PANEL | 1 | 1 | 1 | 1 | 1 | 1 | | |
| 13 | E22 R51 245 | SERVICE PANEL | 1 | 1 | 1 | 1 | 1 | 1 | | |
| 14 | E22 D36 666 | UNION (GAS) 3/8 | 3 | 3 | 3 | 3 | 3 | 3 | | Ø9.52 |
| 15 | E22 D36 667 | UNION (LIQUID) 1/4 | 3 | 3 | 3 | 3 | 3 | 3 | | Ø6.35 |
| 16 | E22 D36 662 | STOP VALVE (LIQUID) 3/8 | 1 | 1 | 1 | 1 | 1 | 1 | | Ø9.52 |
| 17 | E22 D36 661 | STOP VALVE (GAS) 5/8 | 1 | 1 | 1 | 1 | 1 | 1 | | Ø15.88 |
| 18 | E22 06F 640 | EXPANSION VALVE | 1 | 1 | 1 | 1 | 1 | 1 | | LEV R, body |
| 19 | E22 T07 493 | EXPANSION VALVE COIL | 1 | 1 | 1 | 1 | 1 | 1 | LEV R | BLUE |
| 20 | E22 C18 961 | 4-WAY VALVE | 1 | 1 | 1 | 1 | 1 | 1 | | |
| 21 | E27 942 646 | HIGH PRESSURE SWITCH | 1 | 1 | 1 | 1 | 1 | 1 | HPS | |
| 22 | E22 J69 523 | REAR GUARD | 1 | 1 | 1 | 1 | 1 | 1 | | |
| 23 | E22 819 297 | TOP PANEL | 1 | 1 | 1 | 1 | 1 | 1 | | Includes PL NOTICE, SERVICE NOTE |
| 24 | E22 J69 515 | MOTOR SUPPORT | 1 | 1 | 1 | 1 | 1 | 1 | | |
| 25 | E22 96G 293 | SEPARATOR | 1 | 1 | 1 | 1 | 1 | 1 | | |
| 26 | E22 T07 630 | OUTDOOR HEAT EXCHANGER | 1 | 1 | 1 | 1 | 1 | 1 | | |
| 27 | — | BRAND LABEL | 1 | 1 | 1 | 1 | 1 | 1 | | [DK79G041H02] |
| 28 | E22 939 936 | CAPILLARY TUBE | 3 | 3 | 3 | 3 | 3 | 3 | | Ø4.0 × Ø2.8 × 100, Includes DAMPER |
| 29 | E22 96G 959 | POWER RECEIVER | 1 | 1 | 1 | 1 | 1 | 1 | | |
| 30 | E27 N04 250 | SCREW TS.ST 4 x 10 | 33 | 33 | 33 | 33 | 33 | 33 | | |
| 31 | — | COMPRESSOR LEAD ASSEMBLY | 1 | 1 | 1 | 1 | 1 | 1 | | [BH78T881G07] |
| 32 | — | COMPRESSOR FELT (TOP) | 1 | 1 | 1 | 1 | 1 | 1 | | [RK33J337H03] |
| 33 | — | COMPRESSOR FELT (BODY) | 1 | 1 | 1 | 1 | 1 | 1 | | [RK33J216H02] |
| 34 | — | COMPRESSOR FELT (SIDE) | 1 | 1 | 1 | 1 | 1 | 1 | | [RK33J207H01] |
| 35 | — | COMPRESSOR FELT (BACK) | 1 | 1 | 1 | 1 | 1 | 1 | | [BK33V324H01] |
| 36 | E22 96G 963 | DISCHARGE PIPE ASSEMBLY | 1 | 1 | 1 | 1 | 1 | 1 | | Includes HPS, Oil separator, Capillary tube (Ø2.5 × Ø0.6 × 1000) |
| 37 | E22 J69 299 | OIL SEPARATOR | 1 | 1 | 1 | 1 | 1 | 1 | | |

MXZ-3HA50VF - [E1], [ET1], [ER1], [E2], [ET2], [ER2]

1-8. OUTDOOR UNIT FUNCTIONAL PARTS AND ELECTRICAL PARTS



1-9. ACCESSORY



1-8. OUTDOOR UNIT FUNCTIONAL PARTS AND ELECTRICAL PARTS

1. The part quantity below indicates the required number of pieces per unit.
2. The circled No. indicates that the part is not shown in the figure.

| No. | Part No. | Part Name | MXZ-3HA50VF - | | | | | | Symbol in Wiring Diagram | Remarks [Drawing No.] |
|-----|-------------|-----------------------------------|---------------|-----|-----|----|-----|-----|--------------------------|--|
| | | | E1 | ET1 | ER1 | E2 | ET2 | ER2 | | |
| 1 | E27 A15 508 | PROPELLER FAN NUT | 1 | 1 | 1 | 1 | 1 | 1 | | |
| 2 | E22 851 501 | PROPELLER FAN | 1 | 1 | 1 | 1 | 1 | 1 | | |
| 3 | E22 16B 301 | OUTDOOR FAN MOTOR | 1 | 1 | 1 | 1 | | | MF | |
| 3 | E22 99R 301 | OUTDOOR FAN MOTOR | | | | | | 1 | 1 | MF |
| 4 | E22 92C 440 | OUTDOOR POWER P.C. BOARD | 1 | 1 | 1 | 1 | 1 | 1 | 1 | Includes heat sink and RT64 |
| 5 | E22 96G 450 | OUTDOOR CONTROL P.C. BOARD | 1 | 1 | 1 | 1 | | | | |
| 5 | E22 99R 450 | OUTDOOR CONTROL P.C. BOARD | | | | | | 1 | 1 | |
| 6 | E22 R51 337 | REACTOR | 1 | 1 | 1 | 1 | 1 | 1 | L | 20A 600μH |
| 7 | E22 C92 375 | TERMINAL BLOCK | 3 | 3 | 3 | 3 | 3 | 3 | TB2~4 | Indoor unit connecting |
| 8 | E22 G07 374 | TERMINAL BLOCK | 1 | 1 | 1 | 1 | 1 | 1 | TB1 | Power supply |
| 9 | E22 T07 490 | R.V. COIL | 1 | 1 | 1 | 1 | 1 | 1 | 21S4 | Includes screw M5 x 6.5 |
| 10 | E22 T07 308 | THERMISTOR SET | 1 | 1 | 1 | 1 | 1 | 1 | RT61, RT62, RT68 | DEFROST, DISCHARGE, OUTDOOR HEAT EXCHANGER |
| 11 | E22 96G 309 | AMBIENT TEMPERATURE THERMISTOR | 1 | 1 | 1 | 1 | 1 | 1 | RT65 | |
| ⑫ | — | OUTDOOR POWER P.C. BOARD HOLDER | 1 | 1 | 1 | 1 | 1 | 1 | | [BK00N964G02] |
| ⑬ | — | P.C. BOARD COVER | 1 | 1 | 1 | 1 | 1 | 1 | | [BK00T375G04] |
| ⑭ | — | OUTDOOR CONTROL P.C. BOARD HOLDER | 1 | 1 | 1 | 1 | 1 | 1 | | [BK25Y530G05] |

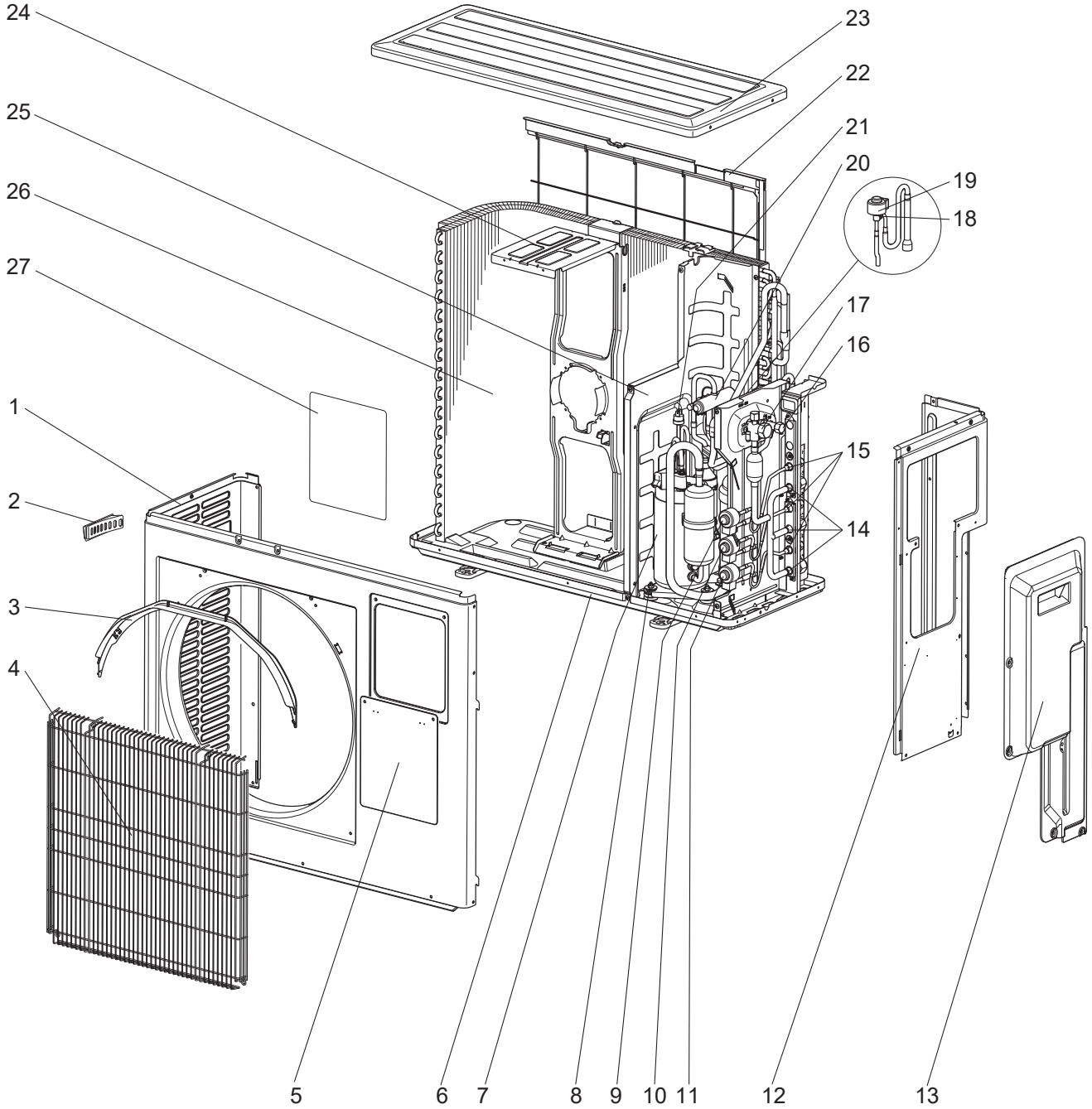
1-9. ACCESSORY

1. The part quantity below indicates the required number of pieces per unit.

| No. | Part No. | Part Name | MXZ-3HA50VF - | | | | | | Symbol in Wiring Diagram | Remarks |
|-----|-------------|--------------|---------------|-----|-----|----|-----|-----|--------------------------|----------|
| | | | E1 | ET1 | ER1 | E2 | ET2 | ER2 | | |
| 15 | E22 817 704 | DRAIN SOCKET | 1 | 1 | 1 | 1 | 1 | 1 | | |
| 16 | E22 444 705 | DRAIN CAP | 2 | 2 | 2 | 2 | 2 | 2 | | 2PCS/SET |

MXZ-3HA50VF - E3

1-10. OUTDOOR UNIT STRUCTURAL PARTS AND FUNCTIONAL PARTS



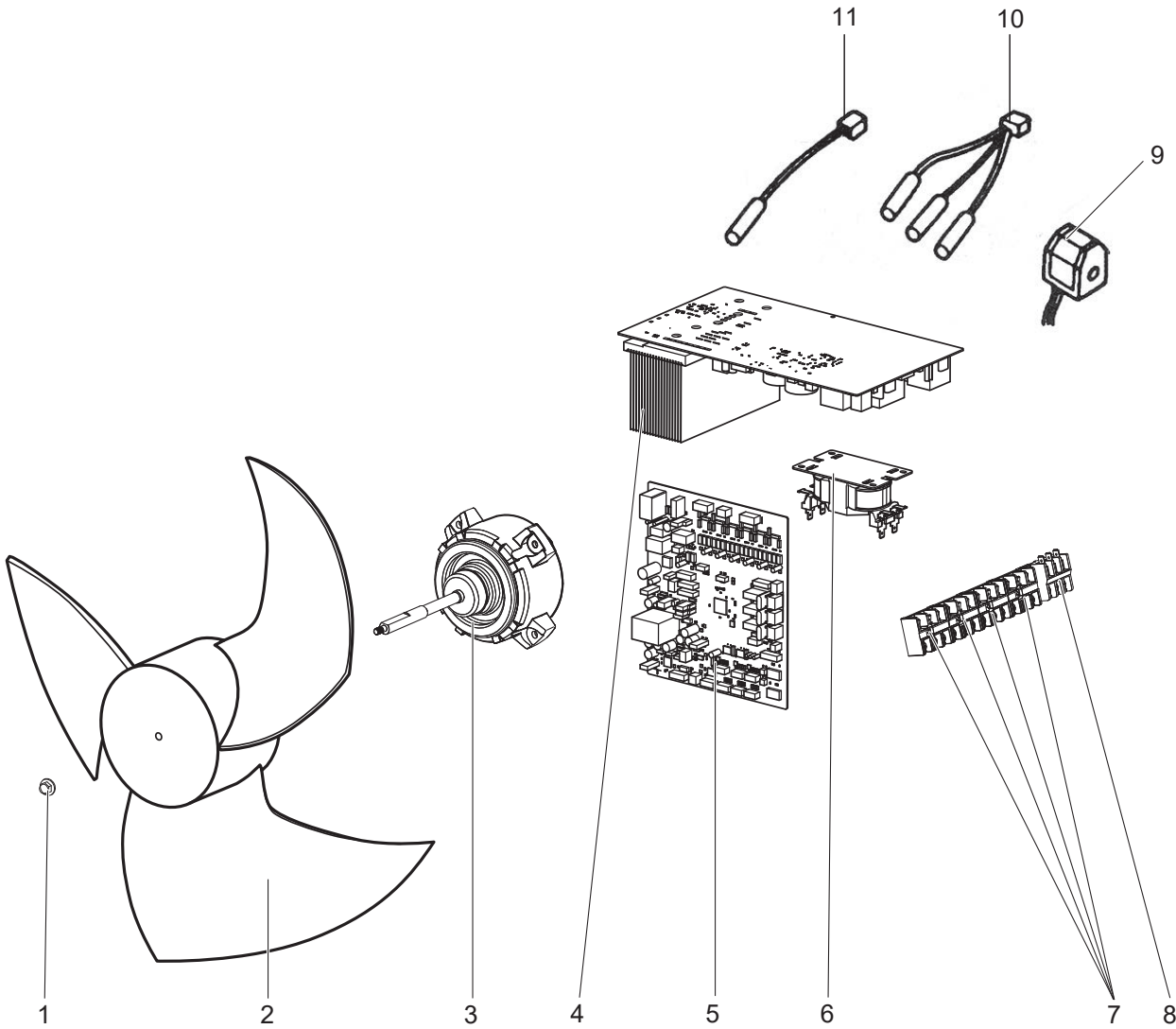
1-10. OUTDOOR UNIT STRUCTURAL PARTS AND FUNCTIONAL PARTS

1. The part quantity below indicates the required number of pieces per unit.
2. The circled No. indicates that the part is not shown in the figure.

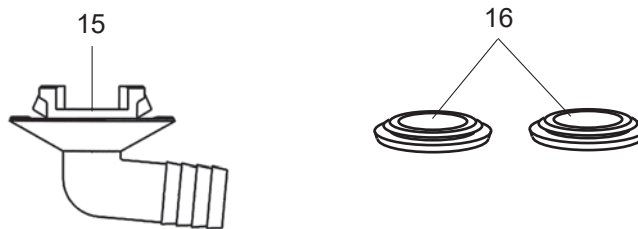
| No. | Part No. | Part Name | MXZ-3HA50VF - E3 | Symbol In Wiring Diagram | Remarks [Drawing No.] |
|-----|-------------|--------------------------|------------------|--------------------------|--|
| 1 | E22 T07 232 | CABINET | 1 | | |
| 2 | E22 817 009 | HANDLE | 1 | | |
| 3 | E22 J69 531 | ICE GUARD | 1 | | |
| 4 | E22 R24 521 | GRILLE | 1 | | |
| 5 | E22 T07 246 | SUB PANEL | 1 | | |
| 6 | E22 T07 290 | BASE | 1 | | |
| 7 | E22 92C 900 | COMPRESSOR | 1 | MC | SVB130FBBM1T |
| 8 | E22 C34 506 | COMPRESSOR RUBBER SET | 3 | | 3 RUBBERS SET |
| 9 | E27 F03 640 | EXPANSION VALVE | 1 | | C room, LEV C, body Includes DAMPER |
| 9 | E22 94C 493 | EXPANSION VALVE COIL | 1 | LEV C | C room, BLUE |
| 10 | E27 F03 640 | EXPANSION VALVE | 1 | | B room, LEV B, body Includes DAMPER |
| 10 | E22 93C 493 | EXPANSION VALVE COIL | 1 | LEV B | B room, RED |
| 11 | E27 F03 640 | EXPANSION VALVE | 1 | | A room, LEV A, body Includes DAMPER |
| 11 | E22 92C 493 | EXPANSION VALVE COIL | 1 | LEV A | A, room, WHITE |
| 12 | E22 R51 233 | BACK PANEL | 1 | | |
| 13 | E22 R51 245 | SERVICE PANEL | 1 | | |
| 14 | E22 D36 666 | UNION (GAS) 3/8 | 3 | | Ø9.52 |
| 15 | E22 D36 667 | UNION (LIQUID) 1/4 | 3 | | Ø6.35 |
| 16 | E22 D36 662 | STOP VALVE (LIQUID) 3/8 | 1 | | Ø9.52 |
| 17 | E22 D36 661 | STOP VALVE (GAS) 5/8 | 1 | | Ø15.88 |
| 18 | E22 06F 640 | EXPANSION VALVE | 1 | | LEV R, body |
| 19 | E22 T07 493 | EXPANSION VALVE COIL | 1 | LEV R | BLUE |
| 20 | E22 C18 961 | 4-WAY VALVE | 1 | | |
| 21 | E27 942 646 | HIGH PRESSURE SWITCH | 1 | HPS | |
| 22 | E22 J69 523 | REAR GUARD | 1 | | |
| 23 | E22 819 297 | TOP PANEL | 1 | | Includes PL NOTICE, SERVICE NOTE |
| 24 | E22 J69 515 | MOTOR SUPPORT | 1 | | |
| 25 | E22 96G 293 | SEPARATOR | 1 | | |
| 26 | E22 T07 630 | OUTDOOR HEAT EXCHANGER | 1 | | |
| 27 | — | BRAND LABEL | 1 | | [DK79G041H02] |
| 28 | E22 939 936 | CAPILLARY TUBE | 3 | | Ø4.0 × Ø2.8 × 100, Includes DAMPER |
| 29 | E22 96G 959 | POWER RECEIVER | 1 | | |
| 30 | E27 N04 250 | SCREW TS.ST 4 x 10 | 33 | | |
| 31 | — | COMPRESSOR LEAD ASSEMBLY | 1 | | [BH78T881G07] |
| 32 | — | COMPRESSOR FELT (TOP) | 1 | | [RK33J337H03] |
| 33 | — | COMPRESSOR FELT (BODY) | 1 | | [RK33J216H02] |
| 34 | — | COMPRESSOR FELT (SIDE) | 1 | | [RK33J207H01] |
| 35 | — | COMPRESSOR FELT (BACK) | 1 | | [BK33V324H01] |
| 36 | E22 96G 963 | DISCHARGE PIPE ASSEMBLY | 1 | | Includes HPS, Oil separator, Capillary tube (Ø2.5 × Ø0.6 × 1000) |
| 37 | E22 J69 299 | OIL SEPARATOR | 1 | | |

MXZ-3HA50VF - E3

1-11. OUTDOOR UNIT FUNCTIONAL PARTS AND ELECTRICAL PARTS



1-12. ACCESSORY



1-11. OUTDOOR UNIT FUNCTIONAL PARTS AND ELECTRICAL PARTS

1. The part quantity below indicates the required number of pieces per unit.
2. The circled No. indicates that the part is not shown in the figure.

| No. | Part No. | Part Name | MXZ-3HA50VF - E3 | Symbol in Wiring Diagram | Remarks [Drawing No.] |
|------|-------------|-----------------------------------|------------------|--------------------------|---|
| 1 | E27 A15 508 | PROPELLER FAN NUT | 1 | | |
| 2 | E22 851 501 | PROPELLER FAN | 1 | | |
| 3 | E22 99R 301 | OUTDOOR FAN MOTOR | 1 | MF | |
| 4 | E22 92C 440 | OUTDOOR POWER P.C. BOARD | 1 | | Includes heat sink and RT64 |
| 5 | E22 99R 450 | OUTDOOR CONTROL P.C. BOARD | 1 | | |
| 6 | E22 R51 337 | REACTOR | 1 | L | 20A 600μH |
| 7 | E22 C92 375 | TERMINAL BLOCK | 3 | TB2~4 | Indoor unit connecting |
| 8 | E22 G07 374 | TERMINAL BLOCK | 1 | TB1 | Power supply |
| 9 | E22 T07 490 | R.V. COIL | 1 | 21S4 | Includes screw M5 x 6.5 |
| 10 | E22 T07 308 | THERMISTOR SET | 1 | RT61, RT62, RT68 | DEFROST, DISCHARGE, OUTDOOR HEAT EXCHANGER |
| 11 | E22 96G 309 | AMBIENT TEMPERATURE THERMISTOR | 1 | RT65 | |
| (12) | — | OUTDOOR POWER P.C. BOARD HOLDER | 1 | | [BK00N964G02] |
| (13) | — | P.C. BOARD COVER | 1 | | [BK00T375G04] |
| (14) | — | OUTDOOR CONTROL P.C. BOARD HOLDER | 1 | | [BK25Y530G05] |

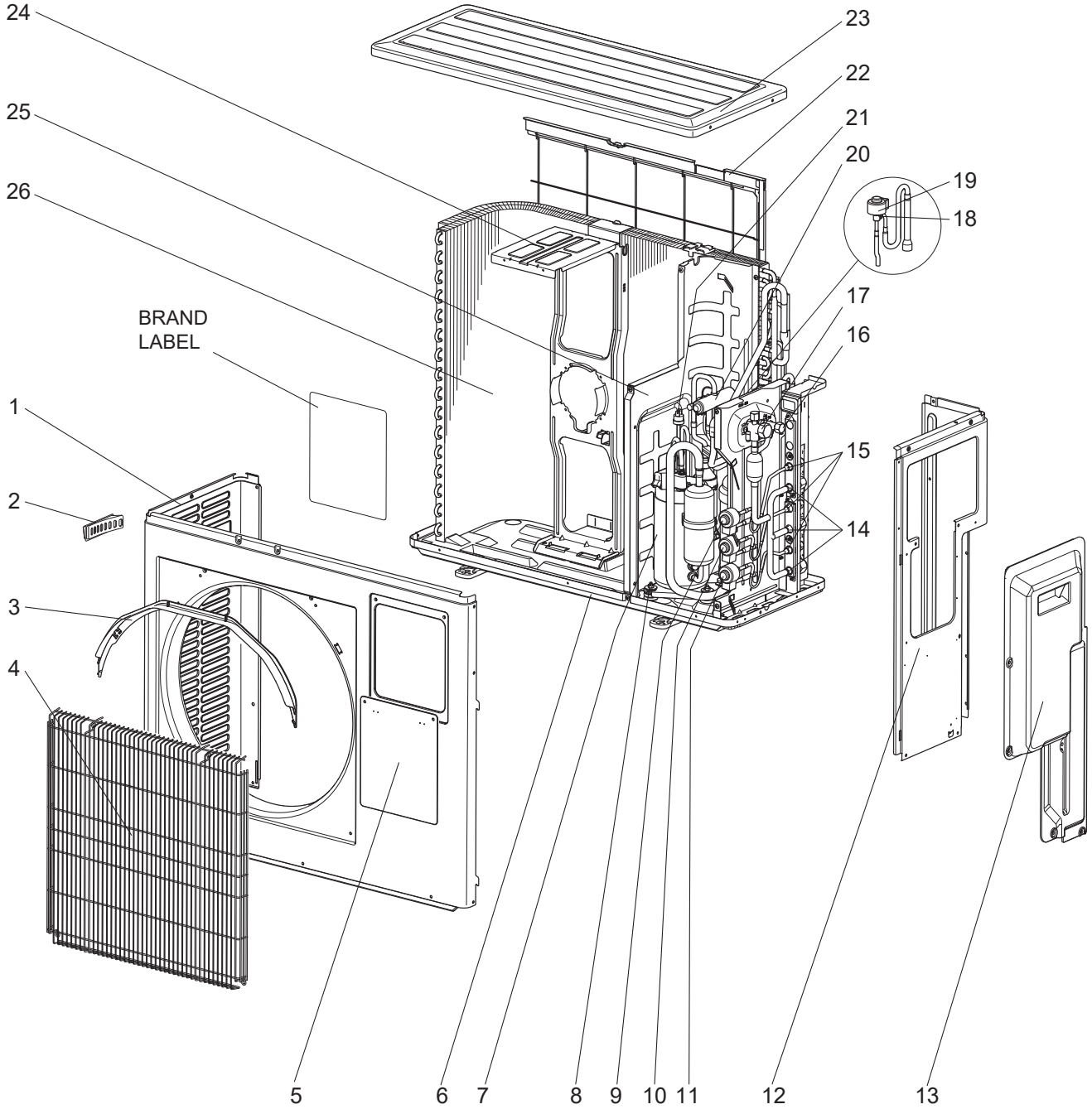
1-12. ACCESSORY

1. The part quantity below indicates the required number of pieces per unit.

| No. | Part No. | Part Name | MXZ-3HA50VF - E3 | Symbol in Wiring Diagram | Remarks |
|-----|-------------|--------------|------------------|--------------------------|----------|
| 15 | E22 817 704 | DRAIN SOCKET | 1 | | |
| 16 | E22 444 705 | DRAIN CAP | 2 | | 2PCS/SET |

MXZ-3HA50VF2

1-13. OUTDOOR UNIT STRUCTURAL PARTS AND FUNCTIONAL PARTS



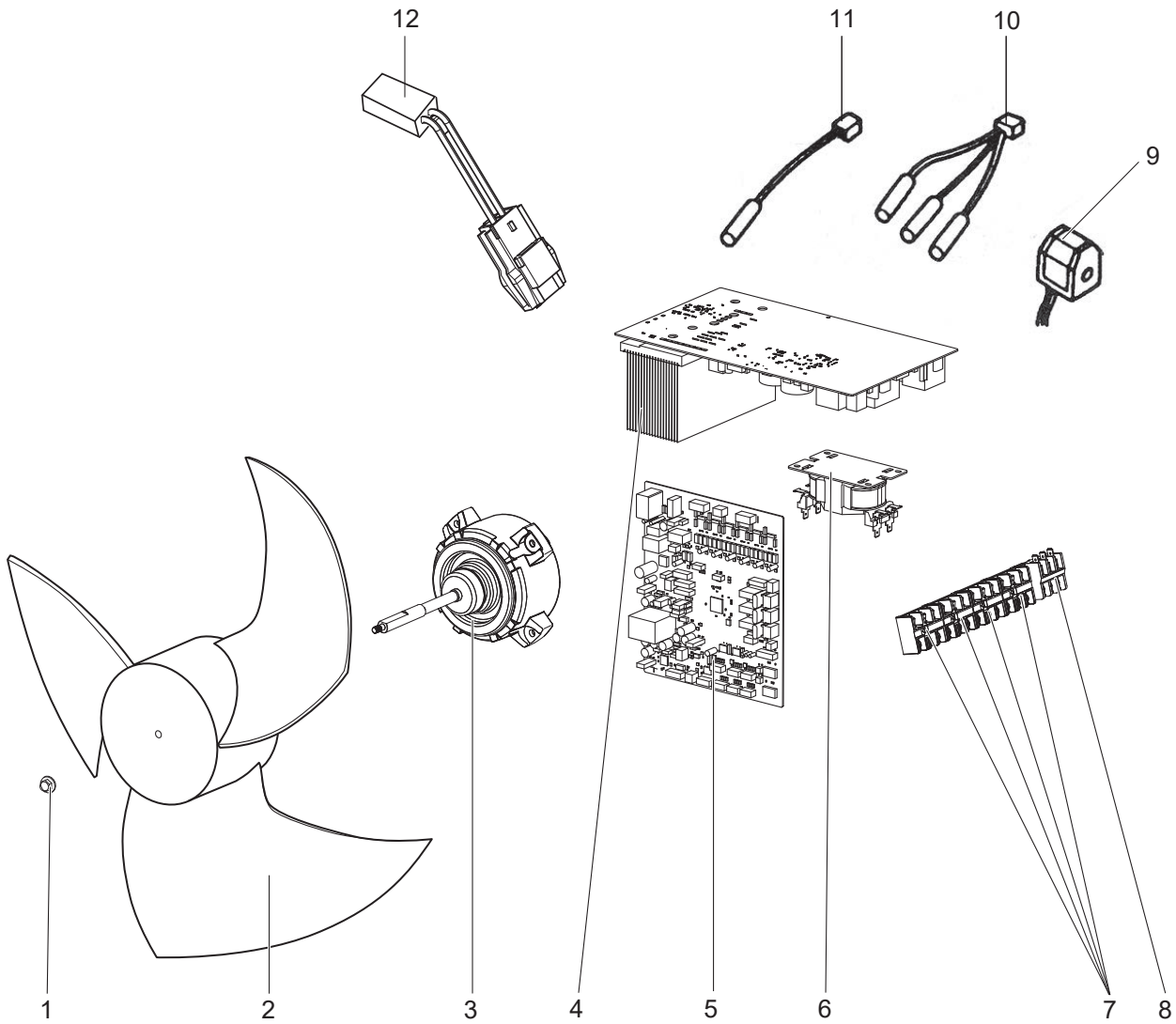
1-13. OUTDOOR UNIT STRUCTURAL PARTS AND FUNCTIONAL PARTS

1. The part quantity below indicates the required number of pieces per unit.
2. The circled No. indicates that the part is not shown in the figure.

| No. | Part No. | Part Name | MXZ-3HA50VF2 - [E] | MXZ-3HA50VF2 - [ET] | Symbol In Wiring Diagram | Remarks [Drawing No.] |
|-----|-------------|-------------------------|--------------------|---------------------|--------------------------|--|
| 1 | E22 T06 232 | CABINET | 1 | 1 | | |
| 2 | E22 817 009 | HANDLE | 1 | 1 | | |
| 3 | E22 J69 531 | ICE GUARD | 1 | 1 | | |
| 4 | E22 R24 521 | GRILLE | 1 | 1 | | |
| 5 | E22 T07 246 | SUB PANEL | 1 | 1 | | |
| 6 | E22 T07 290 | BASE | 1 | 1 | | |
| 7 | E22 46W 900 | COMPRESSOR | 1 | 1 | MC | SVB130FBBM1T |
| 8 | E22 C34 506 | COMPRESSOR RUBBER SET | 3 | 3 | | 3 RUBBERS SET |
| 9 | E27 F03 640 | EXPANSION VALVE | 1 | 1 | | C room, LEV C, body Includes DAMPER |
| 9 | E22 94C 493 | EXPANSION VALVE COIL | 1 | 1 | LEV C | C room, BLUE |
| 10 | E27 F03 640 | EXPANSION VALVE | 1 | 1 | | B room, LEV B, body Includes DAMPER |
| 10 | E22 93C 493 | EXPANSION VALVE COIL | 1 | 1 | LEV B | B room, RED |
| 11 | E27 F03 640 | EXPANSION VALVE | 1 | 1 | | A room, LEV A, body Includes DAMPER |
| 11 | E22 92C 493 | EXPANSION VALVE COIL | 1 | 1 | LEV A | A, room, WHITE |
| 12 | E22 R51 233 | BACK PANEL | 1 | 1 | | |
| 13 | E22 R51 245 | SERVICE PANEL | 1 | 1 | | |
| 14 | E22 D36 666 | UNION (GAS) 3/8 | 3 | 3 | | Ø9.52 |
| 15 | E22 D36 667 | UNION (LIQUID) 1/4 | 3 | 3 | | Ø6.35 |
| 16 | E22 D36 662 | STOP VALVE (LIQUID) 3/8 | 1 | 1 | | Ø9.52 |
| 17 | E22 D36 661 | STOP VALVE (GAS) 5/8 | 1 | 1 | | Ø15.88 |
| 18 | E22 06F 640 | EXPANSION VALVE | 1 | 1 | | LEV R, body |
| 19 | E22 T07 493 | EXPANSION VALVE COIL | 1 | 1 | LEV R | BLUE |
| 20 | E22 C18 961 | 4-WAY VALVE | 1 | 1 | | |
| 21 | E27 942 646 | HIGH PRESSURE SWITCH | 1 | 1 | HPS | |
| 22 | E22 J69 523 | REAR GUARD | 1 | 1 | | |
| 23 | E22 06T 297 | TOP PANEL | 1 | 1 | | Includes PL NOTICE, SERVICE NOTE |
| 24 | E22 J69 515 | MOTOR SUPPORT | 1 | 1 | | |
| 25 | E22 94W 293 | SEPARATOR | 1 | 1 | | |
| 26 | E22 T07 630 | OUTDOOR HEAT EXCHANGER | 1 | 1 | | |
| ⑲ | E22 939 936 | CAPILLARY TUBE | 3 | 3 | | Ø4.0 × Ø2.8 × 100, Close to every Expansion valve |
| ⑳ | E22 96G 959 | POWER RECEIVER | 1 | 1 | | |
| ㉑ | E22 96G 963 | DISCHARGE PIPE ASSEMBLY | 1 | 1 | | Includes HPS, Oil separator, Capillary tube (Ø2.5 × Ø0.6 × 1000) |

MXZ-3HA50VF2

1-14. OUTDOOR UNIT FUNCTIONAL PARTS AND ELECTRICAL PARTS



1-15. ACCESSORY



1-14. OUTDOOR UNIT FUNCTIONAL PARTS AND ELECTRICAL PARTS

1. The part quantity below indicates the required number of pieces per unit.
2. The circled No. indicates that the part is not shown in the figure.

| No. | Part No. | Part Name | MXZ-3HA50VF2 - E1 | MXZ-3HA50VF2 - ET1 | Symbol in Wiring Diagram | Remarks [Drawing No.] |
|-----|-------------|--------------------------------|-------------------|--------------------|--------------------------|---|
| 1 | E27 A15 508 | PROPELLER FAN NUT | 1 | 1 | | |
| 2 | E22 851 501 | PROPELLER FAN | 1 | 1 | | |
| 3 | E22 16B 301 | OUTDOOR FAN MOTOR | 1 | 1 | MF | |
| 4 | E22 1L6 440 | OUTDOOR POWER P.C. BOARD | 1 | 1 | | Includes heat sink and RT64 |
| 5 | E22 9L1 450 | OUTDOOR CONTROL P.C. BOARD | 1 | 1 | | |
| 6 | E22 4L0 337 | REACTOR | 1 | 1 | L | |
| 7 | E22 C92 375 | TERMINAL BLOCK | 3 | 3 | TB2~4 | Indoor unit connecting |
| 8 | E22 G07 374 | TERMINAL BLOCK | 1 | 1 | TB1 | Power supply |
| 9 | E22 T07 490 | R.V. COIL | 1 | 1 | 21S4 | Includes screw M5 x 6.5 |
| 10 | E22 01L 308 | THERMISTOR SET | 1 | 1 | RT61, RT62, RT68 | DEFROST, DISCHARGE, OUTDOOR HEAT EXCHANGER |
| 11 | E22 96G 309 | AMBIENT TEMPERATURE THERMISTOR | 1 | 1 | RT65 | |
| 12 | E22 94W 381 | THERMAL PROTECTOR | 1 | 1 | TRS | |

1-15. ACCESSORY

1. The part quantity below indicates the required number of pieces per unit.

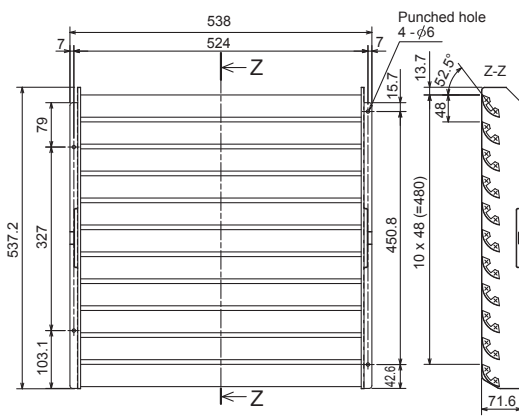
| No. | Part No. | Part Name | MXZ-3HA50VF2 - E1 | MXZ-3HA50VF2 - ET1 | Symbol in Wiring Diagram | Remarks |
|-----|-------------|--------------|-------------------|--------------------|--------------------------|----------|
| 13 | E22 817 704 | DRAIN SOCKET | 1 | 1 | | |
| 14 | E22 444 705 | DRAIN CAP | 2 | 2 | | 2PCS/SET |

2-1. OUTLET GUIDE

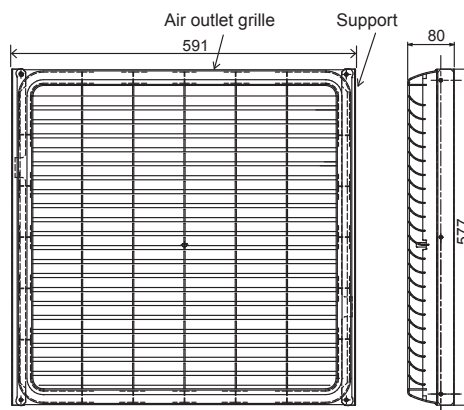
Unit: mm

Changes air discharge direction.

| Applied unit | Model name |
|--|------------|
| MXZ-2HA40VF MXZ-2HA50VF MXZ-2HA40VF2 MXZ-2HA50VF2 | MAC-889SG |
| MXZ-3HA50VF MXZ-3HA50VF2 | MAC-856SG |



MAC-889SG



MAC-856SG

MITSUBISHI ELECTRIC CORPORATION

HEAD OFFICE: TOKYO BUILDING, 2-7-3, MARUNOUCHI, CHIYODA-KU, TOKYO 100-8310, JAPAN

© Copyright 2018 MITSUBISHI ELECTRIC CORPORATION

Issued: Mar. 2025. No. OBB828 REVISED EDITION-F

Issued: Dec. 2022. No. OBB828 REVISED EDITION-E

Issued: Jul. 2021. No. OBB828 REVISED EDITION-D

Issued: Mar. 2021. No. OBB828 REVISED EDITION-C

Issued: Feb. 2021. No. OBB828 REVISED EDITION-B

Issued: Mar. 2020. No. OBB828 REVISED EDITION-A

Published: Dec. 2018. No. OBB828

Made in Japan

Specifications are subject to change without notice.