



Mitsubishi Packaged Air-Conditioner Optional Parts Installation Manual for Air Outlet Guide

<Model>
PAC-SL12SG-E

SAFETY PRECAUTIONS

- Carefully read this section 'Safety Precautions', and securely install the optional parts.
- Be sure to observe the cautions described here: They include critical contents for safety.
- The following indications show the classifications for danger, and possible consequences following incorrect handling.

⚠ WARNING	Incorrect handling could lead to death or serious injury.
⚠ CAUTION	Incorrect handling could lead to injury or damage to house and household articles.

- After installation, perform a test run and make sure that there is no abnormality, and ask your customer to keep this installation sheet with the installation manual at all times. Also ask the customer to transfer these manuals to a new user if the user changes.

⚠ WARNING

<p>Ask the dealer or specialist for installation.</p> <ul style="list-style-type: none"> • If installed incorrectly by user, water leak, electric shock, fire, etc. could result. 	<p>Carefully install the optional parts according to this installation sheet.</p> <ul style="list-style-type: none"> • Incorrect installation could cause water leak, electric shock, fire, etc.
---	--

Before performing installation (moving) and electrical work

⚠ CAUTION

<p>Do not place polyethylene bags in reach of young children.</p> <ul style="list-style-type: none"> • Putting them over the head will block breathing passages, which could result in suffocation. 	<p>If electrical work is necessary, use only specified electric wires adapted with current capacity.</p> <ul style="list-style-type: none"> • Use of unsuitable wire could cause electric leak, overheating or fire.
<p>Securely apply heat-insulation to refrigerant pipe so that no condensation occurs.</p> <ul style="list-style-type: none"> • If heat-insulation is inadequate, condensation could occur on the surface of pipes and dewdrops could accumulate on ceiling, floor or important goods. 	<p>Securely perform drain piping work according to the installation manual so that no condensation occurs.</p> <ul style="list-style-type: none"> • If piping work is incorrect, water leak may occur and ceiling, furniture, etc may get wet.

When the outdoor unit is installed in front of a store or in a passage, this air outlet guide is used to change the discharge direction of hot air (during cooling) or cold air (during heating) from the outdoor unit. Upward, downward and sideways directions are possible. This guide is also effective to protect the unit installed in a place where high winds may blow against the discharge outlet.

Note the following when installing this guide:

1. Be sure not to use "upward discharge" in a place where snow is forecast. If you do so, snow accumulate in the guard, which could damage the fan, etc.
2. Installing of this product will reduce the capacity of the unit (approx. 2 or 3%) and increase the noise of outdoor unit (approx. 1 or 2 dB)
3. Do not use this product where there is any obstacle at either side or above the outdoor unit (discharge air will be blocked): This may cause a short cycle.
4. Installation spaces of representative types are described. For your confirmation, please refer to Installation Manual of the outdoor unit or the section of Installation Space in the catalog.

1 Accessories

Make sure that all the following parts, in addition to this manual, are in this box.

(1) Air outlet guide	1	(2) Support	2	(3) Attachment screw 5×12	16

2 Requirements of installation space [Unit: mm]

- Secure the necessary surrounding space shown below and select a place with less obstacles, to prevent a short cycle.

1. Surrounding space needed when installing one unit
 - Do not use "upward discharge" in cases of figures 3) and 5) below.

1) Obstacle at front (open at back, sides and top)

2) Obstacles at back and front (open at sides and top)

3) Obstacles at back and top (open at front and sides)

4) Obstacles at back and sides (open at front and top)

5) Obstacles at back, sides and top (open at front)

2. Surrounding space needed when installing multiple units
 - When installing units horizontally in a series, leave at least 10 spaces between units.
 - Do not use "upward discharge" in case of figure 3) below.

1) Obstacle at front (Open at back, sides and top)

2) Obstacles at back and front (open at sides and top)

3) Obstacles at back and top (open at front and sides)

1) Installing units, one in each row

2) Installing multiple units in multiple rows

* Limit of 3 units can be installed horizontally in series. When installing a larger number of units, maintain the space between units shown above.

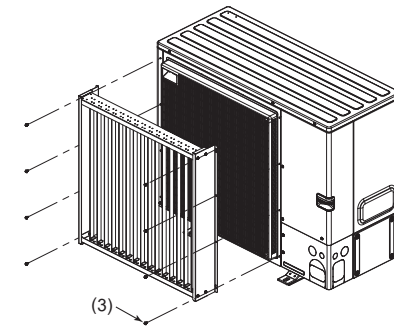
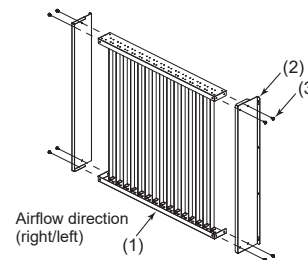
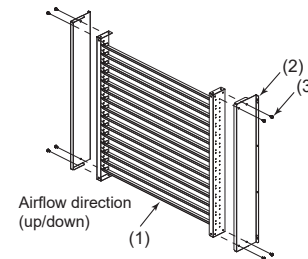
* Keep at least 2000 when using outlet guide in directions other than "upward discharge".

* Keep at least 3000 when using outlet guide in directions other than "upward discharge".

3 Installation procedure

- Four blowout directions can be selected: Check the orientation of outlet vane, and attach the outlet guide in the direction that matches the situation at local site.

- 1) Adjust the direction of the outlet vanes of the air outlet guide (1) as desired.
- 2) Fix the air outlet guide (1) assembled in 1) to the unit with the attachment screws (3) (at the 8 points).



<Setting blow-off direction>

Upward	Downward	Sideways (to left or right)