



<Outdoor unit>  
PAC-SL14DS-E

# Mitsubishi Packaged Air-Conditioner Optional Parts Installation Manual for Drain Socket

## SAFETY PRECAUTIONS

- Carefully read this section 'Safety Precautions', and securely install the optional parts.
- Be sure to observe the cautions described here: They include critical contents for safety.
- The following indications show the classifications for danger, and possible consequences following incorrect handling.

<b>⚠ WARNING</b>	Incorrect handling could lead to death or serious injury.
<b>⚠ CAUTION</b>	Incorrect handling could lead to injury or damage to house and household articles.

- After installation, perform a test run and make sure that there is no abnormality, and ask your customer to keep this installation sheet with the installation manual at all times. Also ask the customer to transfer these manuals to a new user if the user changes.

### ⚠ WARNING

<b>Ask the dealer or specialist for installation.</b> •If installed incorrectly by user, water leak, electric shock, fire, etc. could result.	<b>Carefully install the optional parts according to this installation sheet.</b> •Incorrect installation could cause water leak, electric shock, fire, etc.
--	---

Before performing installation (moving) and electrical work



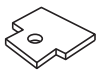


### ⚠ CAUTION

<b>Do not place polyethylene bags in reach of young children.</b> •Putting them over the head will block breathing passages, which could result in suffocation.	<b>If electrical work is necessary, use only specified electric wires adapted with current capacity.</b> •Use of unsuitable wire could cause electric leak, overheating or fire.
<b>Securely apply heat-insulation to refrigerant pipe so that no condensation occurs.</b> •If heat-insulation is inadequate, condensation could occur on the surface of pipes and dewdrops could accumulate on ceiling, floor or important goods.	<b>Securely perform drain piping work according to the installation manual so that no condensation occurs.</b> •If piping work is incorrect, water leak may occur and ceiling, furniture, etc may get wet.

The outdoor unit is provided with several holes for drainage at the bottom to make drainage easier. The drain socket is used to close the unnecessary holes and centralize the drainage when using the drain tube at the installation place.  
Do not to use the drain socket in cold areas. The drain tube can be frozen.

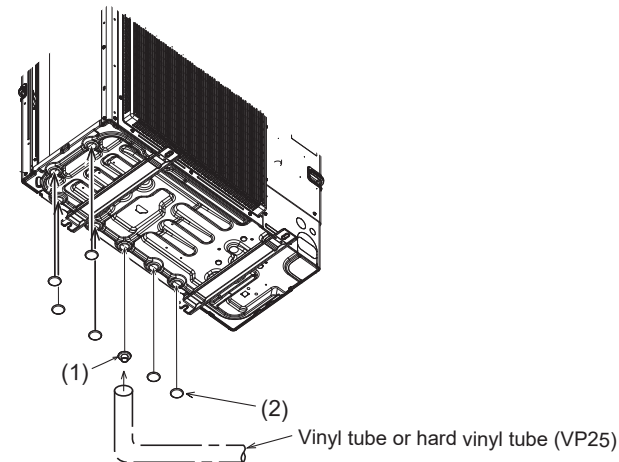
## 1. Accessories

Be aware that the following parts are put in the package together with the installation manual.

(1) Drain socket.....1 pc	(2) Drain cap .....6 pcs	
		
(3) Insulation part (for liquid pipe) ...1 pc	(4) Insulation part (for gas pipe) ..... 1 pc	(5) Band ..... 8 pcs
 Small size	 Large size	

## 2. Installation procedure for drain unit Prepare the adhesive in the field.

- 1) Glue the drain socket (1) to the hole that is used to centralize the drainage among several holes at the bottom of the unit with the glue (Prepare in the field).
- 2) Glue the drain caps (2) to close all the other unnecessary holes with the glue (Prepare in the field).  
<Note> Apply the glue securely, as the glue (Prepare in the field) will work as seal to prevent water from leaking.  
<Note> Use the adhesive for the rubber and metal.
- 3) Insert a vinyl tube of which inner diameter 25 mm available commercially or a hard vinyl tube VP25 to the drain socket (1).



## 3. Installation procedure for insulation parts

- Install the insulation parts to stop valve of the outdoor unit.  
\*The insulation parts should be installed after the tube has been connected to the unit.  
\*Some units are provided with a check valve near stop valve. In this case, cut the insulation parts (3) and (4) so that they will fit the stop valve properly.
- 1) Install the insulation part (3) with 2 holes to the liquid pipe side so that the holes fit the valve caps and cover the stop valve entirely.
  - 2) Fix the insulation part (3) securely with bands (5).
- Install the other insulation part (4) to the gas pipe side with the same procedure.

- Cut the right and left ends of the insulation part (4) as appropriate as shown to the under.

