

PEFY-MS-VMHS-A

High Static Pressure Ceiling Concealed Ducted Indoor Unit



With increased design flexibility as a result of increased external static pressure, the **PEFY-MS-VMHS-A** ceiling concealed unit is an ideal choice for applications such as retail and warehouse spaces.

Key Features & Benefits:

- **Dual Refrigerant Compatibility** - Compatible with both R32 & R410A refrigerants, making it suitable for a wide range of both retrofit and new build projects
- **Enhanced Safety for R32 Applications** - built to work with R32 safety measures ensuring compliance with regulation, providing peace of mind
- **Optional Low Level Leak Detector (PAC-SL72SA-E)** - Provides long service life, easy maintenance and supports compliance and safety regulations
- **Three Fan Speed Options** - Offers a wide range of airflow settings, providing greater flexibility in air distribution to suit different room sizes and layouts
- **High External Static Pressure Range (Up to 250Pa)** - Ensures consistent performance across longer ductwork designs, offering installation flexibility
- **Low Noise Operation** - Utilises a centrifugal fan for quiet performance, creating a more comfortable indoor environment
- **Optional Drain Pump** - For reliable condensate removal up to 550mm of lift, enabling greater piping design freedom

R32 **R410A**



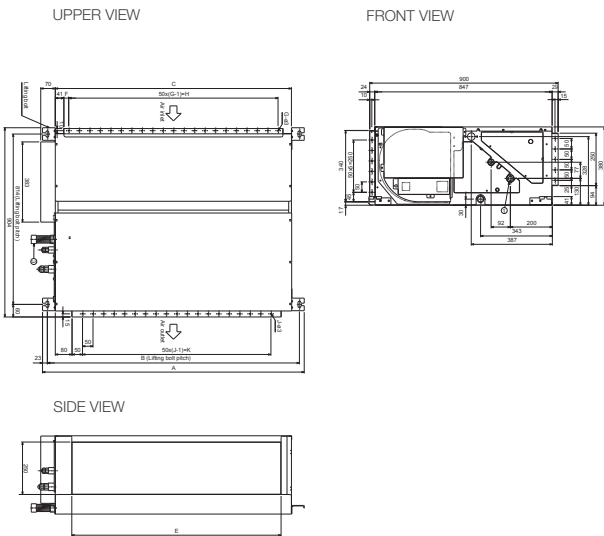
R32 R410A



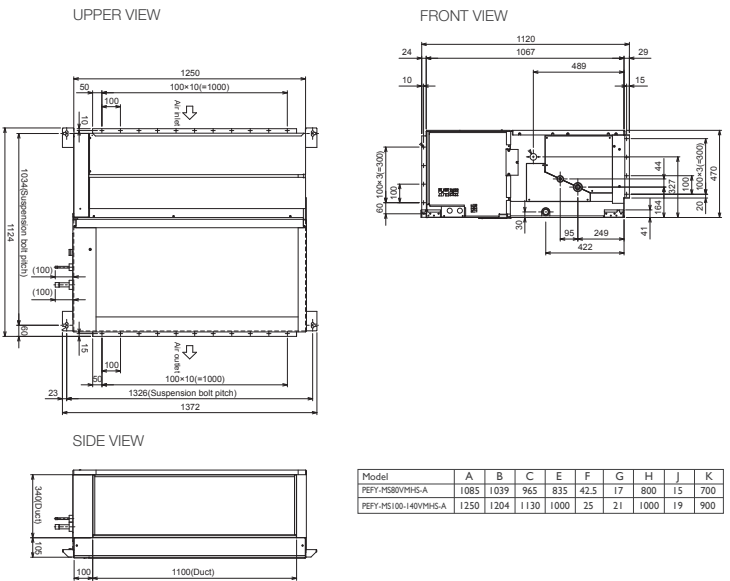
PEFY-MS-VMHS-A INDOOR UNITS		PEFY-MS80VMHS-A	PEFY-MS100VMHS-A	PEFY-MS125VMHS-A	PEFY-MS140VMHS-A	PEFY-MS200VMHS-A	PEFY-MS250VMHS-A
CAPACITY (kW)	Heating (nominal)	10.0	12.5	16.0	18.0	25.0	31.5
	Cooling (nominal)	9.0	11.2	14.0	16.0	22.4	28.0
	UK Heating	10.0	12.5	16.0	18.0	25.0	31.5
	UK Total Cooling - Hi (Sensible)	8.10 (6.30)	10.00 (8.40)	12.50 (10.50)	14.30 (11.40)	20.20 (15.60)	25.20 (19.30)
	UK Total Cooling - Mi	7.79	9.55	11.11	13.05	19.33	24.10
POWER INPUT (kW)	UK Total Cooling - Lo	7.27	8.86	10.14	11.93	17.84	22.21
	Heating (nominal)	0.09	0.16	0.283	0.286	0.63	0.91
AIRFLOW (l/s)	Cooling (nominal)	0.09	0.16	0.283	0.286	0.63	0.91
	Lo-Mi-Hi	300-358-417	442-533-633	467-567-758	467-567-758	833-1017-1200	967-1183-1400
EXTERNAL STATIC PRESSURE (Pa)	Lo-Mi-Hi	50-100-150-200	50-100-150-200	50-100-150-200	50-100-150-200	100-150-200-250	100-150-200-250
SOUND PRESSURE LEVEL (dBA)	Lo-Mi-Hi	26.5-28.5-31	28-32-35.5	28.5-33-40	29-33.5-41	40-45-49	42.5-47.5-51.5
WEIGHT (kg)		45	51	51	53	97	100
DIMENSIONS (mm)	Width	1030	1195	1195	1195	1250	1250
	Depth	900	900	900	900	1120	1120
	Height	380	380	380	380	470	470
ELECTRICAL SUPPLY		220-240v, 50Hz	220-240v, 50Hz	220-240v, 50Hz	220-240v, 50Hz	220-240v, 50Hz	220-240v, 50Hz
PHASE		Single	Single	Single	Single	Single	Single
RUNNING CURRENT (A)	Heating / Cooling	0.61 / 0.61	1.01 / 1.01	1.78 / 1.78	1.77 / 1.77	3.33 / 3.33	4.37 / 4.37
FUSE RATING (BS88) - HRC (A)		6	6	6	6	6	6
MAINS CABLE No. Cores		3	3	3	3	3	3

Notes: PEFY-MS-VMHS-A units are compatible for use with PURY-(E)M-YXM-A, PUHY-M-YXM-A, PURY-(E)P-YNW-A2, PUHY-P-YNW-A2, PUMY-(S)P-V/YKM/YBM, PUMY-(S)M-V/YKM, PORY-P-Y(S)LM-A1 & PQHY-P-Y(S)LM-A1 outdoor units only.

PEFY-MS80/100/125/140VMHS-A DIMENSIONS



PEFY-MS200/250VMHS-A DIMENSIONS



Model	A	B	C	E	F	G	H	J	K
PEFY-MS80VMHS-A	1085	1039	965	835	42.5	17	800	15	700
PEFY-MS100-140VMHS-A	1250	1204	1130	1000	25	21	1000	19	900



Telephone: 01707 282880
email: air.conditioning@meuk.mee.com
les.mitsubishielectric.co.uk



UNITED KINGDOM Mitsubishi Electric Europe Living Environment Systems Division, Travellers Lane, Hatfield, Hertfordshire, AL10 8XB, England. Telephone: 01707 282880
IRELAND Mitsubishi Electric Europe, Plunkett House, Grange Castle Business Park, Nangor Road, Dublin 22, Ireland. Telephone: (00353) 1 4198800 Email: sales.info@meir.mee.com Web: les.mitsubishielectric.ie

Country of origin: United Kingdom - Italy - Turkey - Japan - Thailand - Malaysia. ©Mitsubishi Electric Europe 2026. Mitsubishi and Mitsubishi Electric are trademarks of Mitsubishi Electric Europe B.V. The company reserves the right to make any variation in technical specification to the equipment described, or to withdraw or replace products without prior notification or public announcement. Mitsubishi Electric is constantly developing and improving its products. All descriptions, illustrations, drawings and specifications in this publication present only general particulars and shall not form part of any contract. All goods are supplied subject to the Company's General Conditions of Sale, a copy of which is available on request. Third-party product and brand names may be trademarks or registered trademarks of their respective owners.

Note: The fuse rating is for guidance only and please refer to the relevant databook for detailed specification. It is the responsibility of a qualified electrician/electrical engineer to select the correct cable size and fuse rating based on current regulation and site specific conditions. Mitsubishi Electric's air conditioning equipment and heat pump systems contain a fluorinated greenhouse gas, R410A (GWP:2088), R32 (GWP:675), R407C (GWP:1774), R134a (GWP:1430), R513A (GWP:631), R454B (GWP:466), R515B (GWP:292), R454C (GWP:148), R1234ze (GWP:7) or R1234yf (GWP:4). *These GWP values are based on Regulation (EU) No 517/2014 from IPCC 4th edition. Mitsubishi Electric's air conditioning equipment and heat pump systems contain a hydrocarbon, R290 (GWP:0.02). *These GWP values are based on IPCC 6th edition.

Effective as of March 2026

