

# PAR-42MAA(P)B

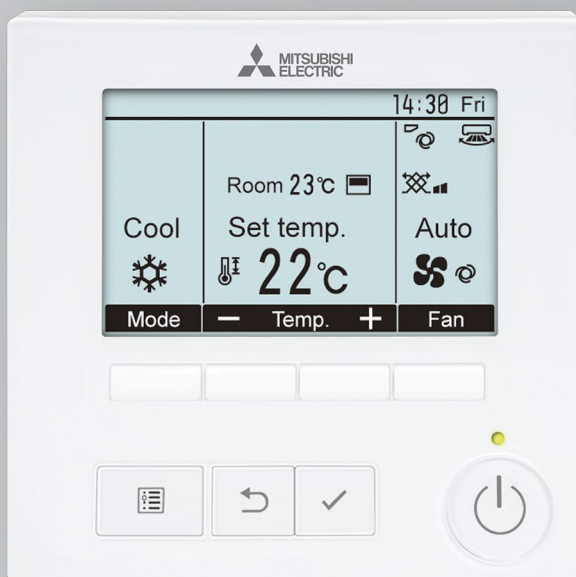
## Standard Wired Remote Controller

The **PAR-42MAA** wired remote controller provides control of City Multi and Mr Slim indoor units and is also compatible with M Series units via MAC-597IF or MAC-397IF interfaces.

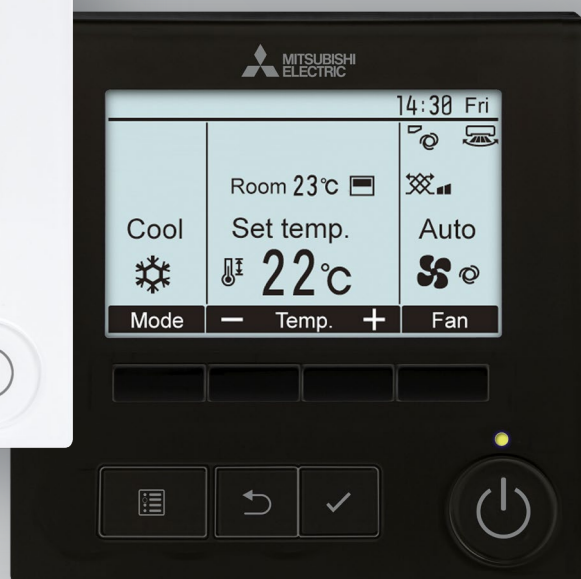
A user-friendly backlit display and built-in audible refrigerant leak alarm make it a popular choice for ease of use and safety compliance.

### Key Features & Benefits:

- **Audible & Visual Leak Alarm** - Provides clear alerts in the event of a refrigerant leak, supporting safety compliance and occupant reassurance
- **Energy Monitoring Display** - Shows daily power consumption data for up to 14 months, enabling better energy management and performance tracking
- **Unit Identification Display (Mr Slim)** - Displays model name and serial number for quick reference during servicing and maintenance
- **Dual Setpoint Function** - Enables separate heating and cooling setpoints for enhanced comfort and energy optimisation
- **Run/Standby Control (Mr Slim)** - Manages unit rotation to balance operating hours and extend system lifespan
- **Smart Defrost Indication** - Provides clear system status during defrost cycles for improved operational transparency
- **14 °C Cooling Mode** - Maintains minimum cooling temperature where required for specific applications
- **2+1 Backup Rotation** - Automatically rotates and backs up units to ensure continuous operation and system reliability



PAR-42MAAB



PAR-42MAAPB



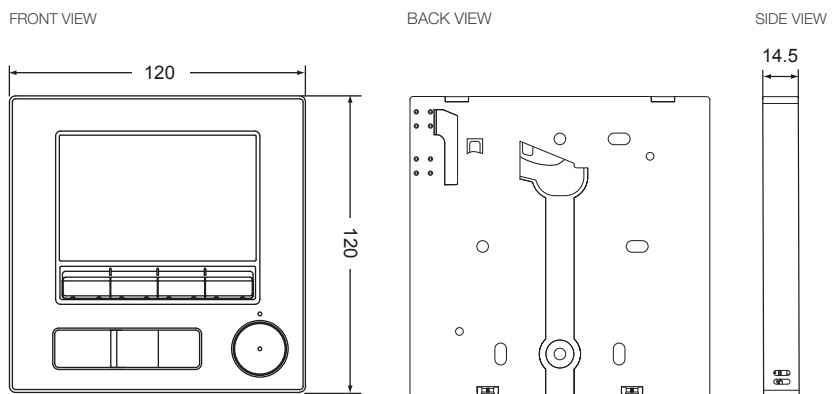
PAR-42MAAB



PAR-42MAAPB

REMOTE CONTROLLER	PAR-42MAA(P)B
Description	Remote Controller
Connect to	Indoor unit
Max Number of Units	16 <sup>1</sup>
Compatibility	City Multi <sup>2</sup> Mr Slim <sup>2</sup> M Series <sup>3</sup> Lossnay <sup>4</sup>
Power Supply	12 VDC (supplied from indoor units)
Dimensions (mm) (WxDxH)	120 x 14.5 x 120
Control	On/Off ✓ Mode ✓ Setpoint ✓ Fan Speed ✓ Air Direction ✓ Permit/Prohibit ✓ Filter Sign ✓
Monitor	On/Off ✓ Mode ✓ Setpoint ✓ Fan Speed ✓ Air Direction ✓ Permit/Prohibit ✓ Filter Sign ✓ Fault Codes ✓ Room Temperature ✓ Energy saving mode ✓ Energy data (Mr Slim only) ✓ Refrigerant leak alert <sup>5</sup> ✓

**PAR-42MAA(P)B DIMENSIONS** All dimensions (mm)



**PAR-42MAA(P)B System Diagram**



Notes: ✓ = Yes, x = No, - = Not applicable

\*1. 16 units as a group on one PAR-42MAA controller

\*2. Requires MAC-597IF-E for WiFi connection

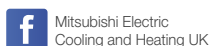
\*3. Compatible via connection to MAC-597IF-E

\*4. Compatible only when Lossnay is interlocked with City Multi

\*5. When the refrigerant leak error code 1521, 1522, 1524, or 1529 is issued, the refrigerant leak information window will appear, the alarm will sound, and the ON/OFF LED and the backlight will blink.



Telephone: 01707 282880  
email: [air.conditioning@meuk.mee.com](mailto:air.conditioning@meuk.mee.com)  
[les.mitsubishielectric.co.uk](http://les.mitsubishielectric.co.uk)



**UNITED KINGDOM Mitsubishi Electric Europe Living Environment Systems Division**, Travellers Lane, Hatfield, Hertfordshire, AL10 8XB, England. Telephone: 01707 282880

**IRELAND Mitsubishi Electric Europe**, Plunkett House, Grange Castle Business Park, Nangor Road, Dublin 22, Ireland. Telephone: (00353) 1 4198800 Email: [sales.info@meir.mee.com](mailto:sales.info@meir.mee.com) Web: [les.mitsubishielectric.ie](http://les.mitsubishielectric.ie)

Country of origin: United Kingdom - Italy - Turkey - Japan - Thailand - Malaysia. ©Mitsubishi Electric Europe 2026. Mitsubishi and Mitsubishi Electric are trademarks of Mitsubishi Electric Europe B.V. The company reserves the right to make any variation in technical specification to the equipment described, or to withdraw or replace products without prior notification or public announcement. Mitsubishi Electric is constantly developing and improving its products. All descriptions, illustrations, drawings and specifications in this publication present only general particulars and shall not form part of any contract. All goods are supplied subject to the Company's General Conditions of Sale, a copy of which is available on request. Third-party product and brand names may be trademarks or registered trademarks of their respective owners.

Note: The fuse rating is for guidance only and please refer to the relevant databook for detailed specification. It is the responsibility of a qualified electrician/electrical engineer to select the correct cable size and fuse rating based on current regulation and site specific conditions. Mitsubishi Electric's air conditioning equipment and heat pump systems contain a fluorinated greenhouse gas, R410A (GWP:2088), R32 (GWP:675), R407C (GWP:1774), R134a (GWP:1430), R513A (GWP:631), R454B (GWP:466), R515B (GWP:292), R454C (GWP:148), R1234ze (GWP:7) or R1234yf (GWP:4). \*These GWP values are based on Regulation (EU) No 517/2014 from IPCC 4th edition. Mitsubishi Electric's air conditioning equipment and heat pump systems contain a hydrocarbon, R290 (GWP:0.02). \*These GWP values are based on IPCC 6th edition.

Effective as of March 2026

