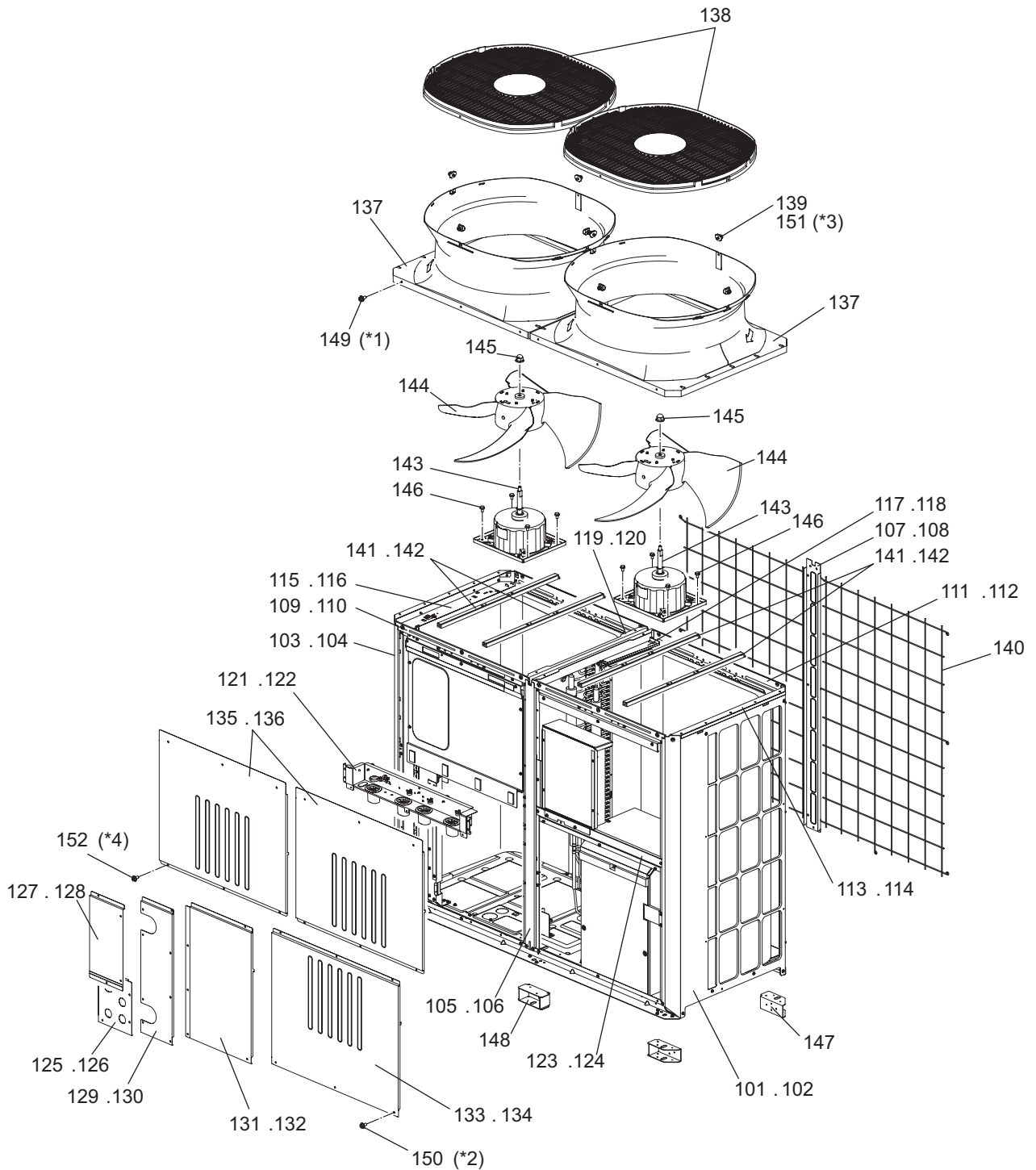


SERVICE PARTS LIST FOR MITSUBISHI ELECTRIC REFRIGERATION SYSTEMS:HOT WATER HEAT PUMP UNIT

Series : CAHV-Z•YA-HPB(-BS)

Jan. 2026
BWE025620

INDEX
CAHV-Z450YA-HPB CAHV-Z450YA-HPB-BS



- *1: Each unit requires 26 WFT screws (Part No. 149).
- *2: Each unit requires 73 H screws (Part No. 150).
- *3: Each unit requires 8 WFT screws (Part No.151).
- *4: Each unit requires 6 H screws (Part No.152).

No.	Part No.	Part Name	Spec.	CAHV-Z450YA-HPB	CAHV-Z450YA-HPB-BS				Dwg. No.	Notes for the models	Revision info.
101	R63 052 652	Panel R		1					KB02A370G05		
102	R63 053 652	Panel R	BS	1					KB02A370G06		
103	R63 050 652	Panel L		1					KB02A369G07		
104	R63 051 652	Panel L	BS	1					KB02A369G08		
105	R61 022 626	Pillar assy MF		1					KD00R845G09		
106	R61 023 626	Pillar assy MF	BS	1					KD00R845G10		
107	R61 030 626	Pillar assy MB		1					KD02M109G01		
108	R12 035 626	Pillar assy MB	BS	1					KD02M109G03		
109	R61 061 162	Frame assy F		1					KD00L182G03		
110	R61 094 162	Frame assy F	BS	1					KD00L182G07		
111	R61 012 160	Frame assy B		1					KJ00C487G01		
112	R61 013 160	Frame assy B	BS	1					KJ00C487G02		
113	R61 175 162	Frame assy LR		1					KV00R705G01		
114	R61 176 162	Frame assy LR	BS	1					KV00R705G02		
115	R61 098 162	Frame assy L		1					KJ00C488G03		
116	R61 099 162	Frame assy L	BS	1					KJ00C488G04		
117	R61 012 499	Plate HEX assy		1					KJ00C692G01		
118	R61 013 499	Plate HEX assy	BS	1					KJ00C692G02		
119	R12 049 215	Frame MT		1					KC00U520G01		
120	R12 050 215	Frame MT	BS	1					KC00U520G02		
121	R12 053 215	Frame assy M		1					KW00G036G07		
122	R12 054 215	Frame assy M	BS	1					KW00G036G08		
123	R12 055 215	Frame MR		1					KW00F405G03		
124	R12 056 215	Frame MR	BS	1					KW00F405G04		
125	R12 045 011	Piping cover		1					KW00D349G05		
126	R12 046 011	Piping cover	BS	1					KW00D349G06		
127	R12 127 661	Panel FBL3		1					KW00D350G03		
128	R12 128 661	Panel FBL3	BS	1					KW00D350G04		
129	R12 129 661	Panel FBL2		1					KW00D348G05		
130	R12 130 661	Panel FBL2	BS	1					KW00D348G06		
131	R12 131 661	Panel FBL1		1					KW00D347G03		
132	R12 132 661	Panel FBL1	BS	1					KW00D347G04		
133	R61 212 651	Panel FBR		1					KB02J838H04		
134	R61 213 651	Panel FBR	BS	1					KB02J838G06		
135	R61 177 651	Panel FU		2					KB02J839H01		
136	R61 178 651	Panel FU	BS	2					KB02J839G02		
137	R61 005 119	Bell mouth		2	2				KB25A367H04		
138	R11 003 009	Fan guard		2	2				KB25V019H04		
139	R61 009 669	Plate Fan guard		8	8				KD02D205H03		
140	R61 010 611	Fin guard B		2	2				KB07N272G01		
141	R61 016 140	Base fan		4					KD02D026H01		
142	R61 017 140	Base fan	BS	4					KD02D026G04		
143	R12 004 941	Motor	10P 920W 415V	2	2				KC61J778G01		
144	R61 001 300	Fan		2	2				KB25A009H05		
145	R63 4H6 122	Box nut	M12 CH	2	2				P552000X01		

