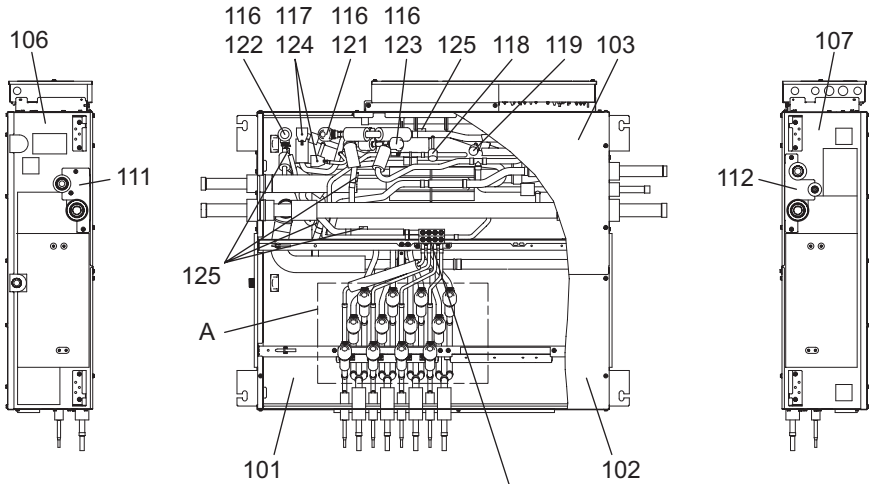
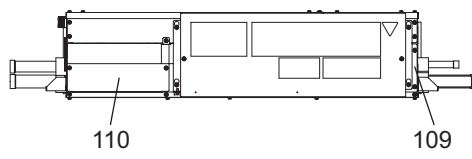
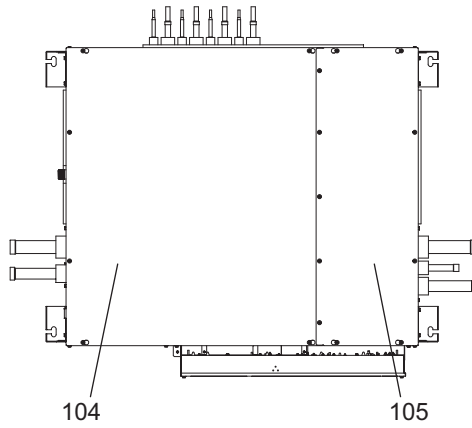


SERVICE PARTS LIST FOR MITSUBISHI ELECTRIC PACKAGED AIR-CONDITIONERS

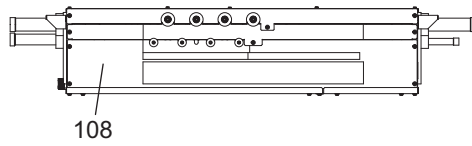
Series : CMB

Jan. 2026
BWE025640

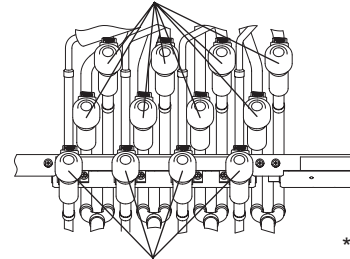
INDEX
CMB-M104V-MA-SV
CMB-M106V-MA-SV
CMB-M108V-MA-SV
CMB-M1012V-MA-SV
CMB-M104V-MB-SV
CMB-M108V-MB-SV



* Check valve do not set service parts.
Because, the quality securing of them
when exchanging parts is difficult.

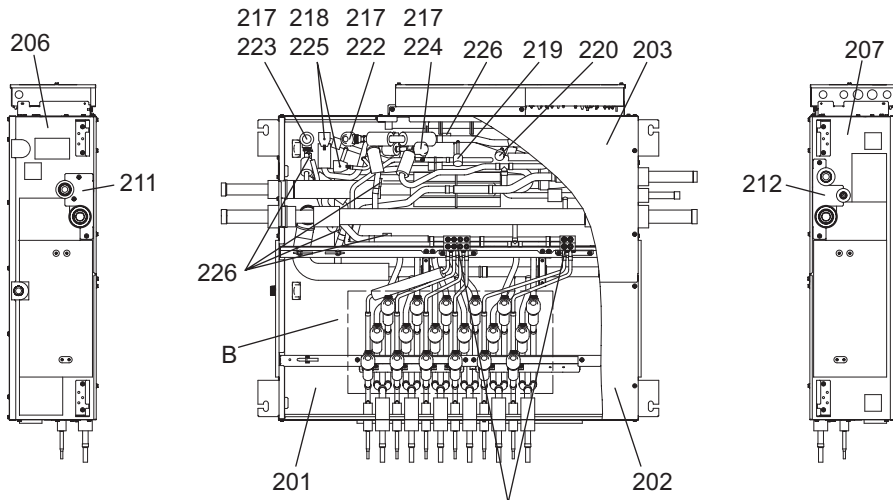
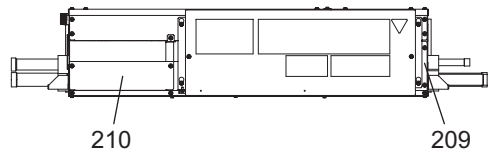
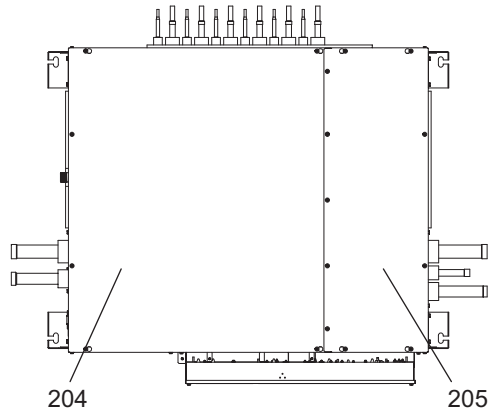


113 . 115 . 120

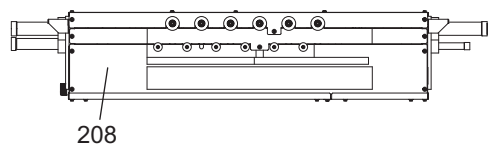


A

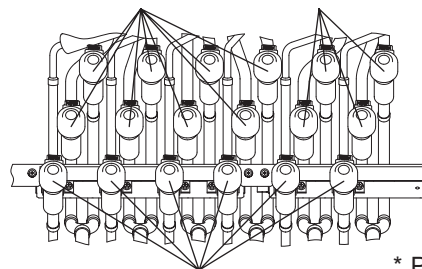
* Part No. 115 (Linear expansion valve) is
difficult to be replaced individually because
it is close to the peripheral parts.
It is recommended to replace No. 113 or
114 (Pipe assy LEV), which includes Part No. 115.



* Check valve do not set service parts.
Because, the quality securing of them
when exchanging parts is difficult.

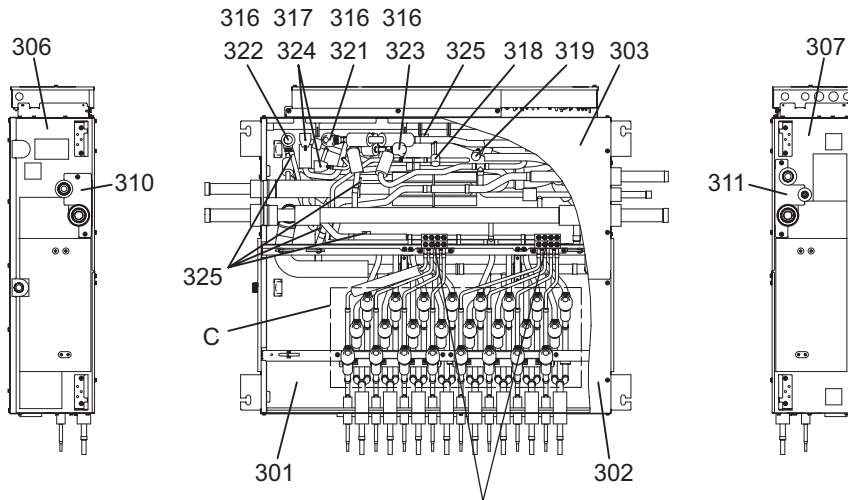
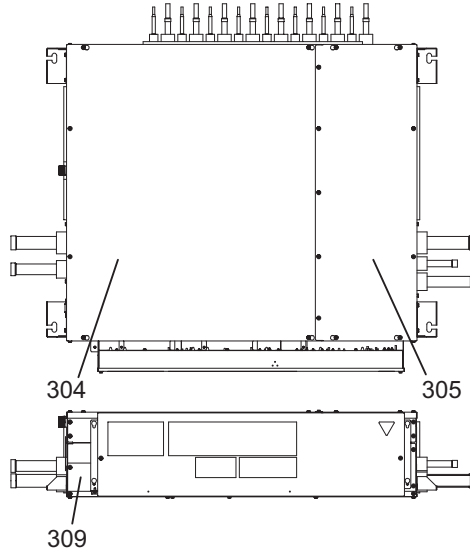


213 . 216 . 221 214 . 216 . 221

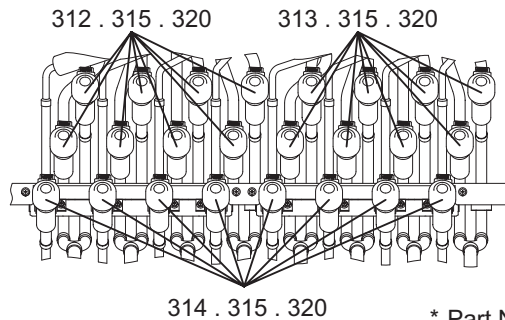
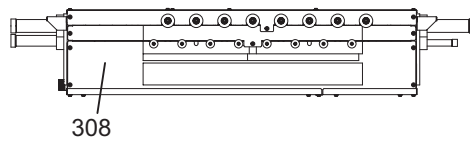


* Part No. 216 (Linear expansion valve) is
difficult to be replaced individually because
it is close to the peripheral parts.
It is recommended to replace No. 213 or
214 or 215 (Pipe assy LEV), which includes
Part No. 216.

B

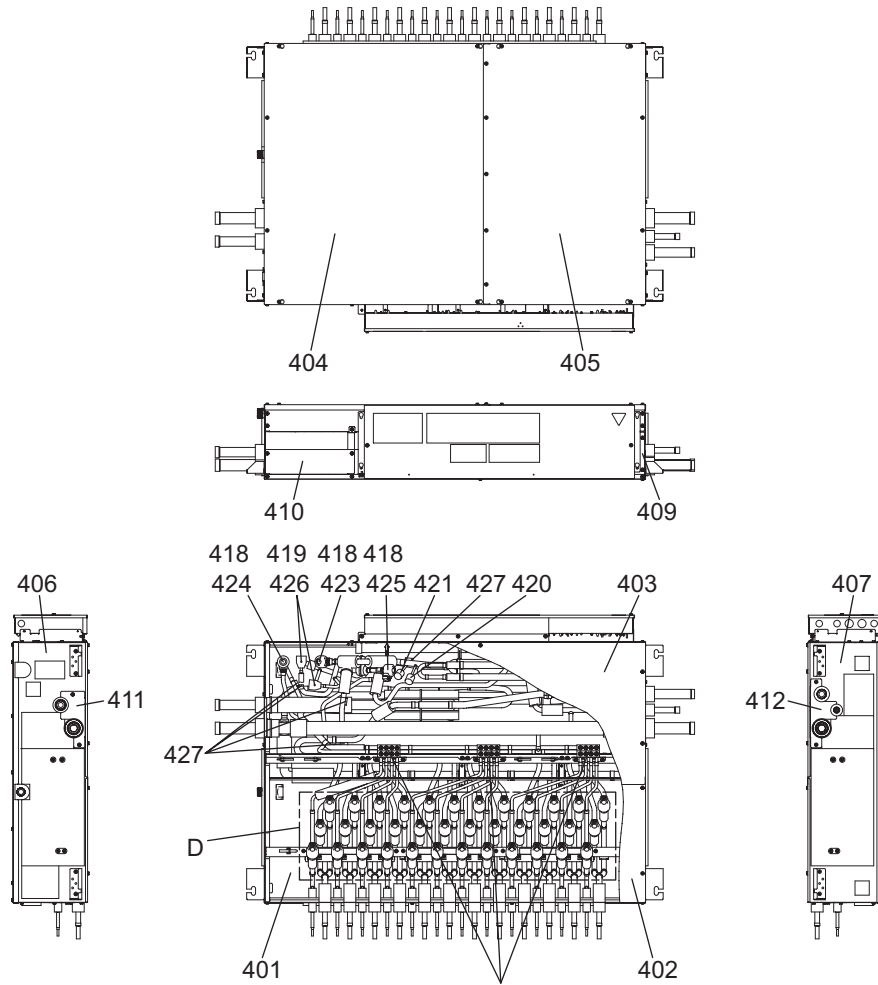


* Check valve do not set service parts.
Because, the quality securing of them
when exchanging parts is difficult.

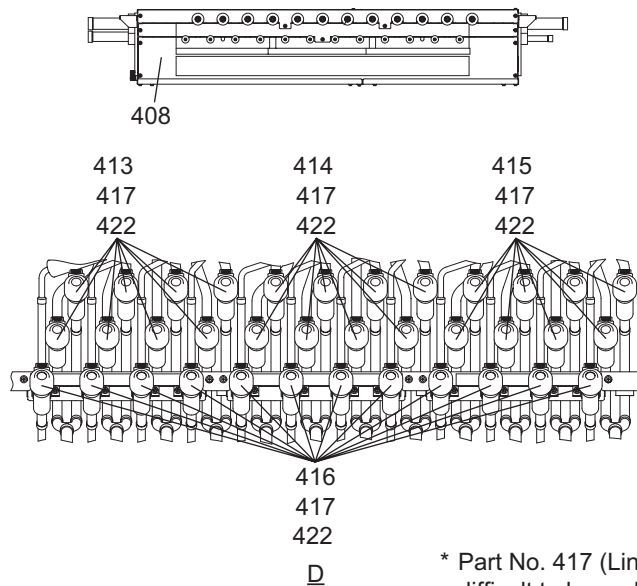


* Part No. 315 (Linear expansion valve) is
difficult to be replaced individually because
it is close to the peripheral parts.
It is recommended to replace No. 312 or
313 or 314 (Pipe assy LEV), which includes
Part No. 315.

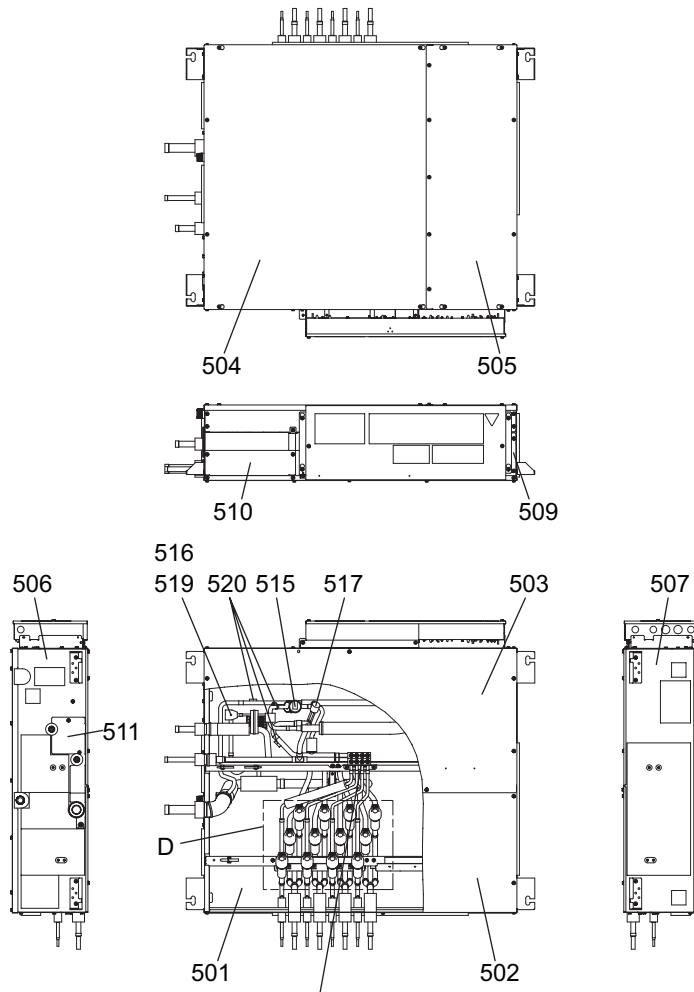
C



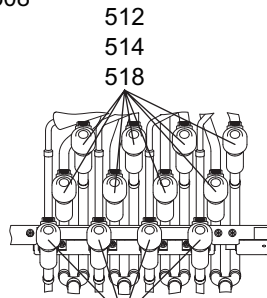
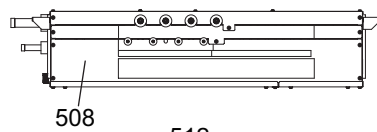
* Check valve do not set service parts.
Because, the quality securing of them
when exchanging parts is difficult.



* Part No. 417 (Linear expansion valve) is
difficult to be replaced individually because
it is close to the peripheral parts.
It is recommended to replace No. 413, 414,
415 or 416 (Pipe assy LEV), which includes
Part No. 417.

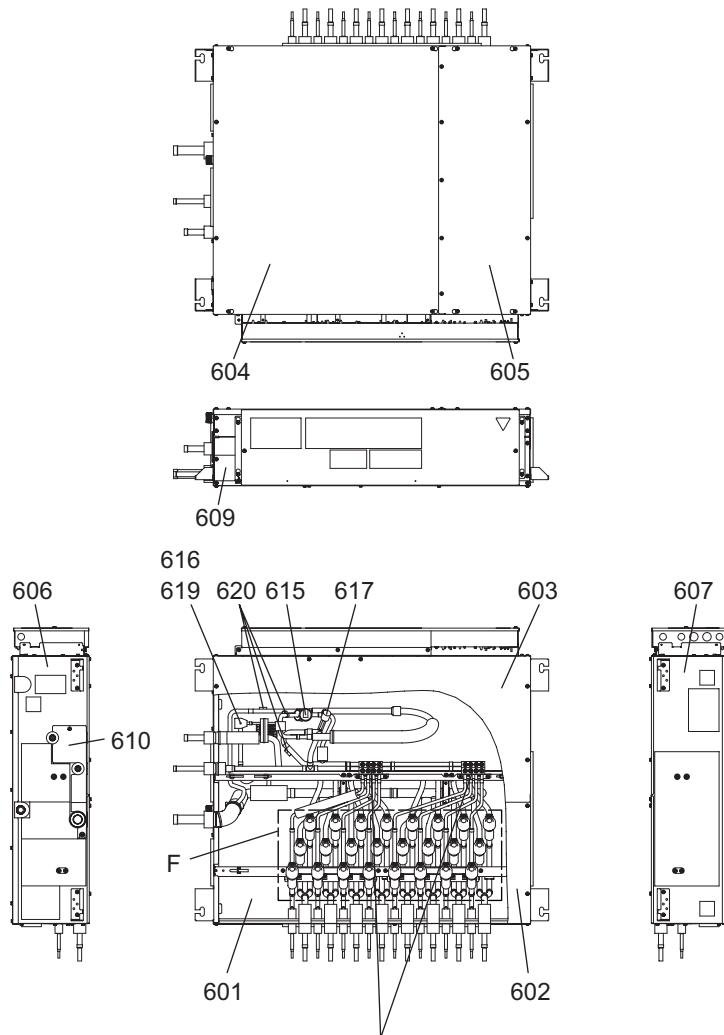


* Check valve do not set service parts.
Because, the quality securing of them
when exchanging parts is difficult.

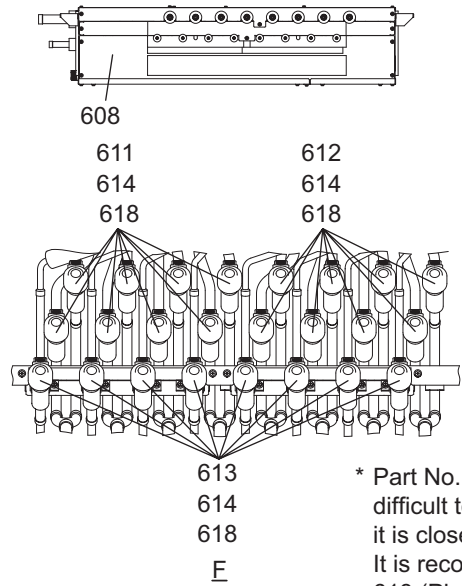


513
514
518
E

* Part No. 514 (Linear expansion valve) is
difficult to be replaced individually because
it is close to the peripheral parts.
It is recommended to replace No. 512 or 513
(Pipe assy LEV), which includes Part No. 514.



* Check valve do not set service parts.
Because, the quality securing of them
when exchanging parts is difficult.

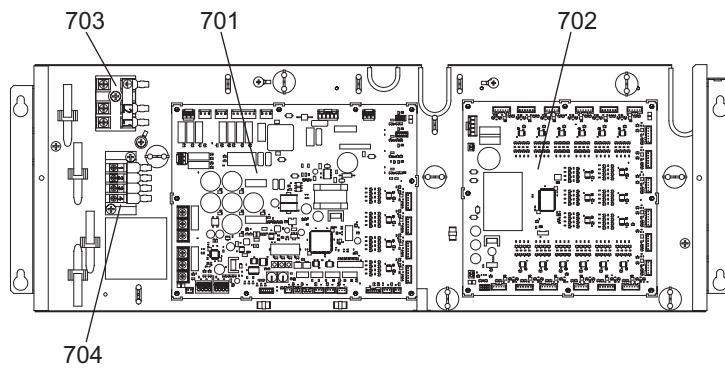


* Part No. 614 (Linear expansion valve) is
difficult to be replaced individually because
it is close to the peripheral parts.
It is recommended to replace No. 611 or 612 or
613 (Pipe assy LEV), which includes Part No. 614.

CMB-M104,M106,M108,M1012V-MA-SV
CMB-M104,M108V-MB-SV

CONTROL BOX PARTS

CMB-M104,M106V-MA-SV,CMB-M104V-MB-SV



CMB-M108,M1012V-MA-SV,CMB-M108V-MB-SV

