

SERVICE PARTS LIST FOR MITSUBISHI ELECTRIC PACKAGED AIR-CONDITIONERS

Series : PURY-M.YXM-A.TH
PURY-M.YXM-A.TH-BS

Mar. 2026

BWE025720

For use with the R32

INDEX

PURY-M200YXM-A.TH
PURY-M200YXM-A.TH-BS
PURY-M250YXM-A.TH
PURY-M250YXM-A.TH-BS
PURY-M300YXM-A.TH
PURY-M300YXM-A.TH-BS
PURY-M350YXM-A.TH
PURY-M350YXM-A.TH-BS
PURY-M400YXM-A.TH
PURY-M400YXM-A.TH-BS
PURY-M450YXM-A.TH
PURY-M450YXM-A.TH-BS
PURY-M500YXM-A.TH
PURY-M500YXM-A.TH-BS

The Package name list

PURY-M400YSXM-A(-BS) [PURY-M200YXM-A.TH(-BS)+PURY-M200YXM-A.TH(-BS)]

PURY-M450YSXM-A(-BS) [PURY-M200YXM-A.TH(-BS)+PURY-M250YXM-A.TH(-BS)]

PURY-M500YSXM-A(-BS) [PURY-M250YXM-A.TH(-BS)+PURY-M250YXM-A.TH(-BS)]

PURY-M550YSXM-A(-BS) [PURY-M250YXM-A.TH(-BS)+PURY-M300YXM-A.TH(-BS)]

PURY-M600YSXM-A(-BS) [PURY-M300YXM-A.TH(-BS)+PURY-M300YXM-A.TH(-BS)]

PURY-M650YSXM-A(-BS) [PURY-M300YXM-A.TH(-BS)+PURY-M350YXM-A.TH(-BS)]

PURY-M700YSXM-A(-BS) [PURY-M350YXM-A.TH(-BS)+PURY-M350YXM-A.TH(-BS)]

PURY-M750YSXM-A(-BS) [PURY-M350YXM-A.TH(-BS)+PURY-M400YXM-A.TH(-BS)]

PURY-M800YSXM-A(-BS) [PURY-M400YXM-A.TH(-BS)+PURY-M400YXM-A.TH(-BS)]

PURY-M850YSXM-A(-BS) [PURY-M400YXM-A.TH(-BS)+PURY-M450YXM-A.TH(-BS)]

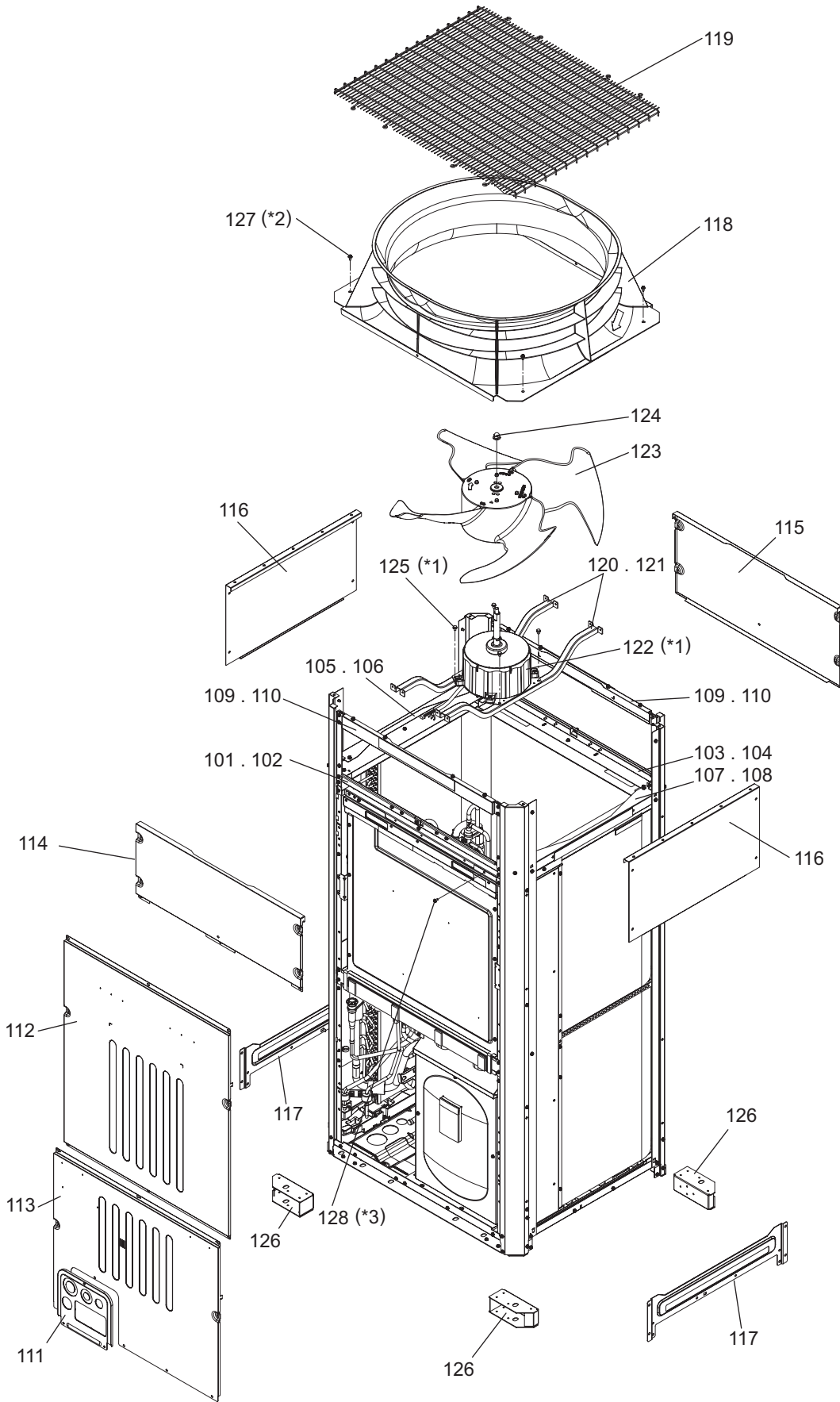
PURY-M900YSXM-A(-BS) [PURY-M450YXM-A.TH(-BS)+PURY-M450YXM-A.TH(-BS)]

PURY-M950YSXM-A(-BS) [PURY-M450YXM-A.TH(-BS)+PURY-M500YXM-A.TH(-BS)]

PURY-M1000YSXM-A(-BS) [PURY-M500YXM-A.TH(-BS)+PURY-M500YXM-A.TH(-BS)]

PURY-M200YXM-A.TH(-BS)
 PURY-M250YXM-A.TH(-BS)
 PURY-M300YXM-A.TH(-BS)

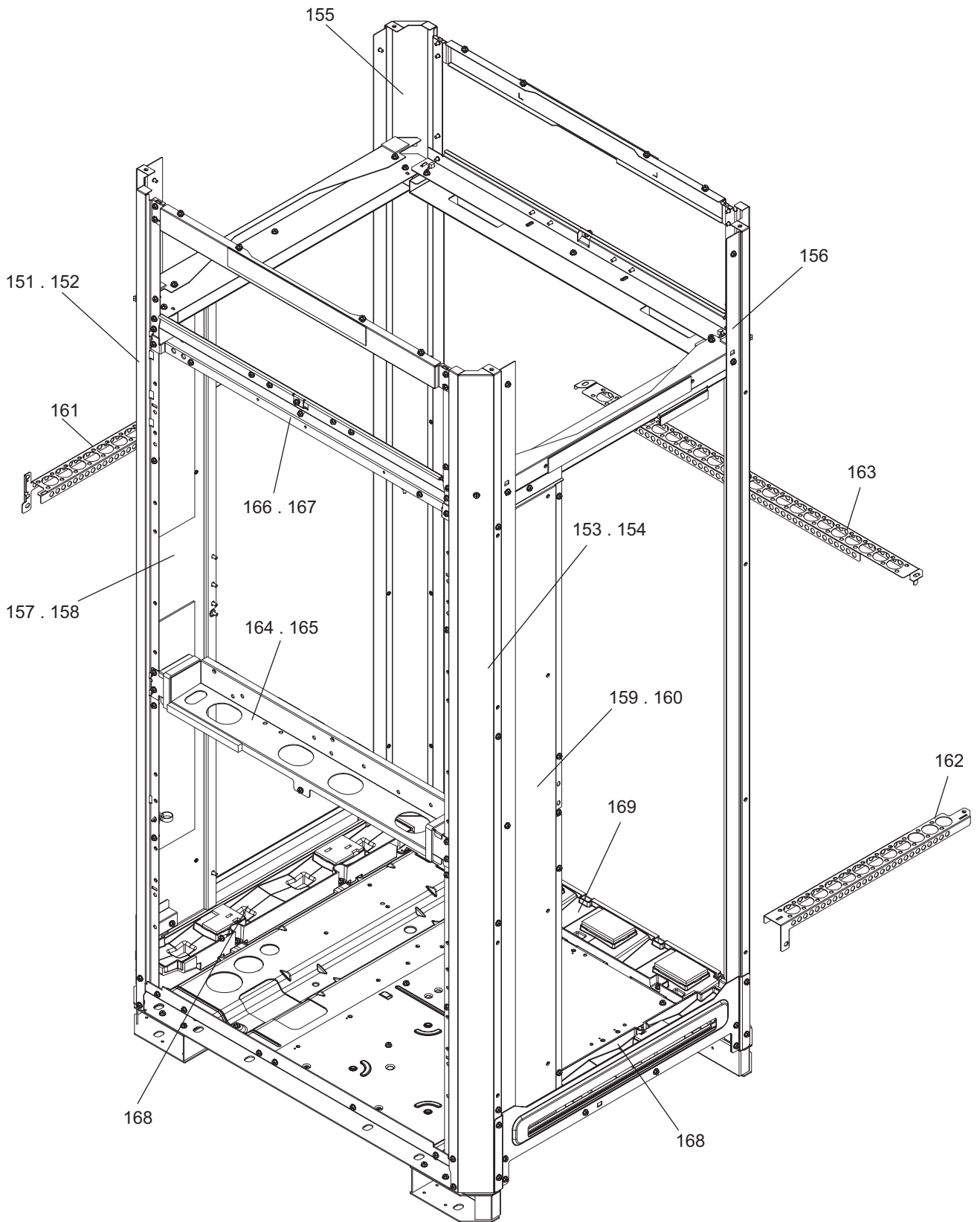
EXTERNAL PARTS & BLOWER PARTS (1-1)

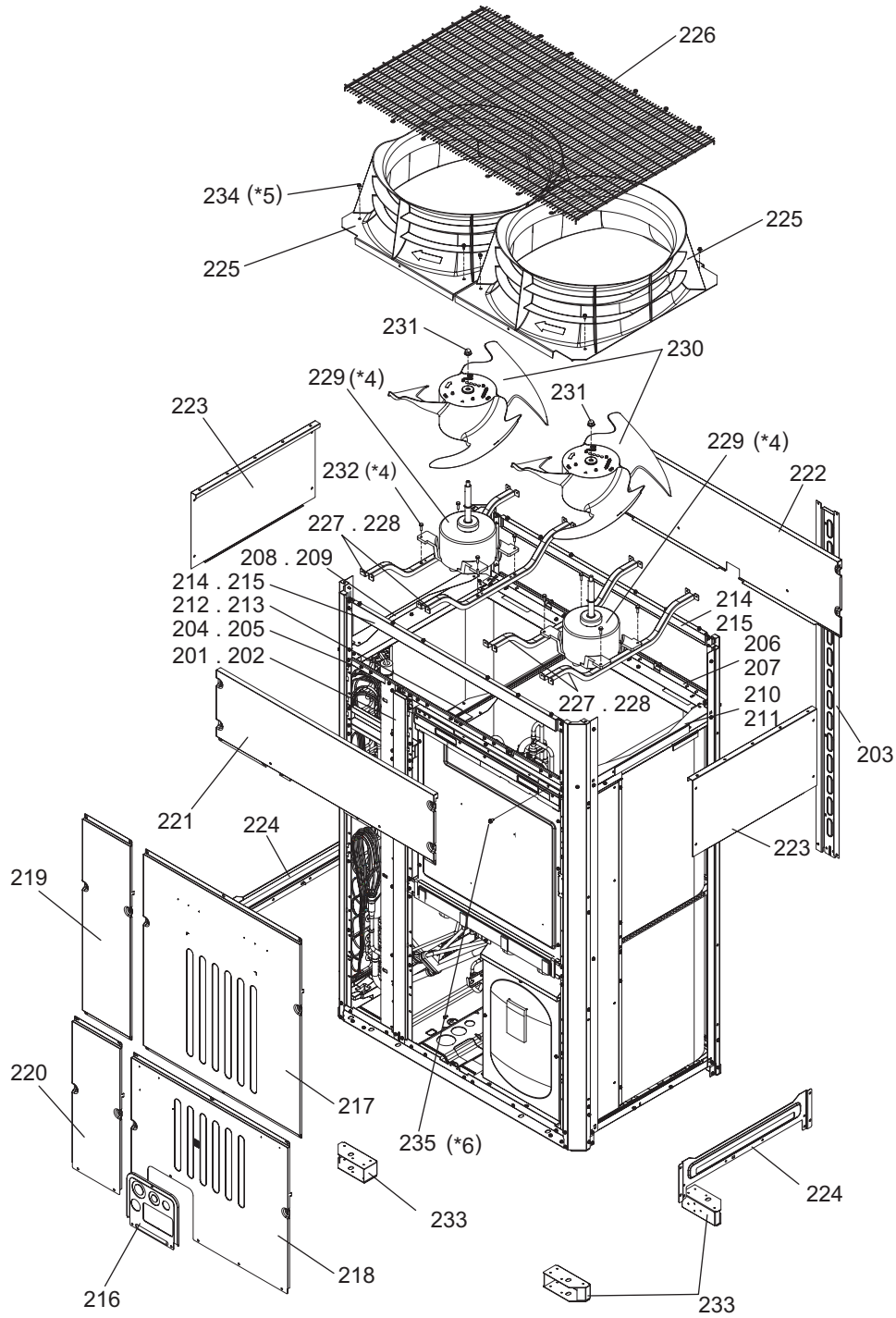


- *1 When replacing 122, replace it together with 125.
- *2 PURY-M200,250,300YXM-A(-BS)···18 WFT Screws (part No.127)
- *3 PURY-M200,250,300YXM-A(-BS)···222 H Screws (part No.128)

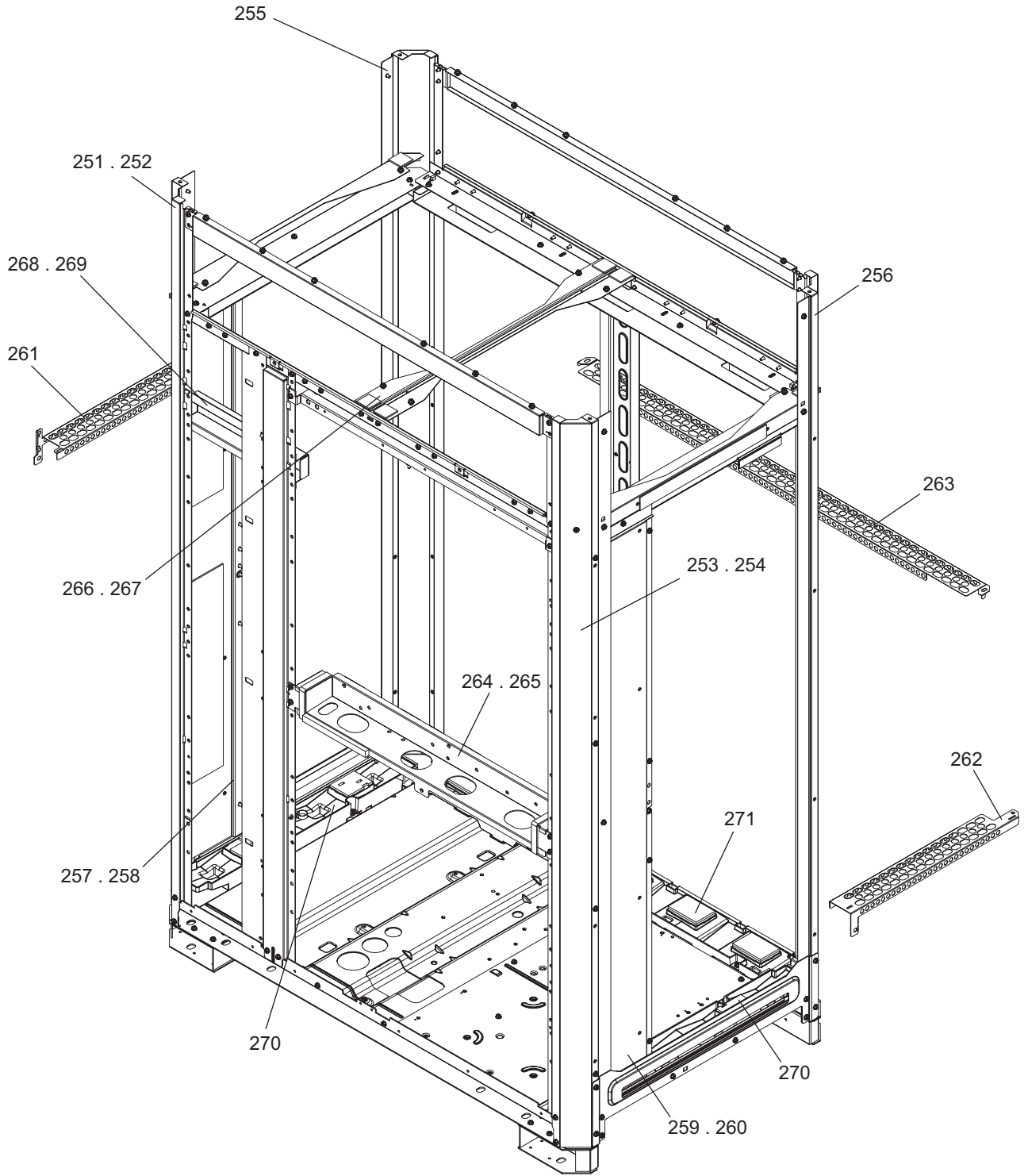
PURY-M200YXM-A.TH(-BS)
PURY-M250YXM-A.TH(-BS)
PURY-M300YXM-A.TH(-BS)

EXTERNAL PARTS & BLOWER PARTS (1-2)



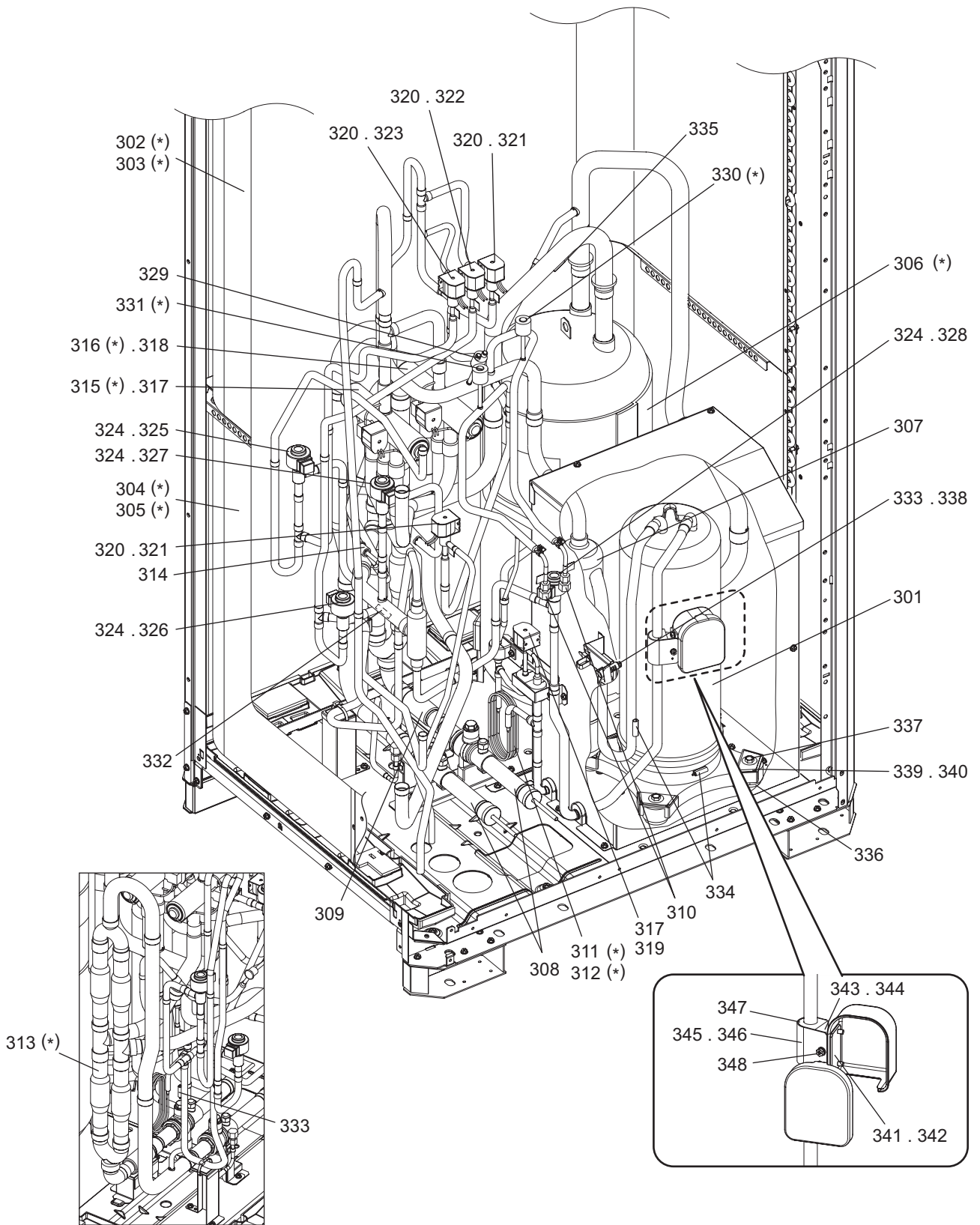


- *4 When replacing 229, replace it together with 232.
- *5 PURY-M350,400,450,500YXM-A(-BS)···27 WFT Screws (part No.234)
- *6 PURY-M350,400,450,500YXM-A(-BS)···260 H Screws (part No.235)



PURY-M200YXM-A.TH(-BS)
 PURY-M250YXM-A.TH(-BS)
 PURY-M300YXM-A.TH(-BS)

FUNCTIONAL PARTS (1)

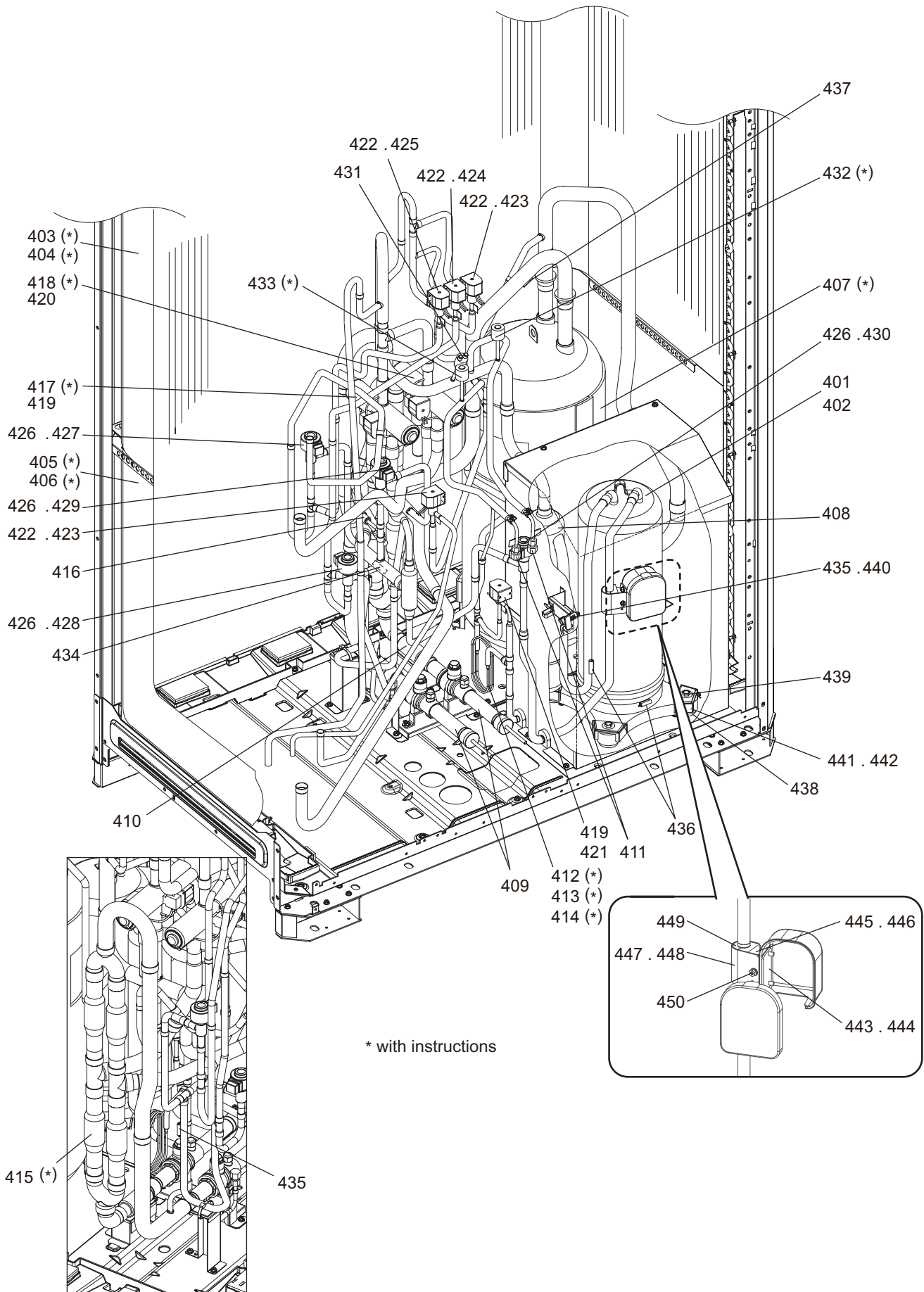


* with instructions

PURY-M200YXM-A.TH(-BS)
PURY-M250YXM-A.TH(-BS)
PURY-M300YXM-A.TH(-BS)

FUNCTIONAL PARTS (1)

No.	Part No.	Part Name	Spec.	PURY-M200YXM-A.TH	PURY-M250YXM-A.TH-BS	PURY-M250YXM-A.TH	PURY-M250YXM-A.TH-BS	PURY-M300YXM-A.TH	PURY-M300YXM-A.TH-BS	Dwg. No.	Notes for the models	Revision info.
301	E27 5T8 900	Scroll compressor	HVK85FC-YE-C	1	1	1	1	1	1	EP10240B01		
302	E27 5T8 630	Heat exchanger SP kit	2L T	1		1		1		VG00F316B01	*	
303	E27 6T5 630	Heat exchanger SP kit	2L T BS		1		1		1	VG00F316B02	*	
304	E27 5T9 630	Heat exchanger SP kit	2L B	1		1		1		VG00F316B03	*	
305	E27 6T6 630	Heat exchanger SP kit	2L B BS		1		1		1	VG00F316B04	*	
306	E27 5T8 932	Accumulator assy SP kit	BS	1	1	1	1	1	1	VG00F316B09	*	
307	E27 5T8 299	Oil separator assy		1	1	1	1	1	1	VG00F316B18		
308	E27 5T8 661	Ball valve	FQ-115-DN25	2	2	2	2	2	2	KR50C726H01	<BV1,2>	
309	E27 5T8 933	Strainer	28.6D-25.4D	1	1	1	1	1	1	KR48C459H01	<ST1>	
310	E27 J44 643	Check joint L	TCJ-2GME-5	2	2	2	2	2	2	KR50C388H01	<CJ1,2>	
311	E27 5T8 936	Capillary tube assy		1	1	1	1			VG00F316B10	<CP1> *	
312	E27 5T9 936	Capillary tube assy						1	1	VG00F316B11	<CP1> *	
313	E27 5T8 642	CV Assy SP kit		1	1	1	1	1	1	VG00F316B14	<CV2a,3a,5a,6a>*	
314	E27 5T9 642	Press. Regulat. Valve		1	1	1	1	1	1	KR50G205H01	<PRV1>	
315	E27 5T8 961	Four way valve A SP kit		1	1	1	1	1	1	VG00F316B15	<21S4a> *	
316	E27 5T9 961	Four way valve B SP kit		1	1	1	1	1	1	VG00F316B16	<21S4b> *	
317	E27 5T8 490	Solenoid valve coil		1	1	1	1	1	1	VG00F258G03	<21S4a,SV1a>	
318	E27 5T9 490	Solenoid valve coil		1	1	1	1	1	1	VG00F254G02	<21S4b>	
319	E27 981 492	Solenoid valve	FDF2A77	1	1	1	1	1	1	KR50D126H01	<SV1a>	
320	E27 J45 492	Solenoid valve	FDF6A58	4	4	4	4	4	4	KR50C440H01	<SV2,12,13,9>	
321	E27 6T0 490	Solenoid valve coil		1	1	1	1	1	1	VG00F257G02	<SV2,9>	
322	E27 6T1 490	Solenoid valve coil		1	1	1	1	1	1	VG00F256G02	<SV12>	
323	E27 6T2 490	Solenoid valve coil		1	1	1	1	1	1	VG00F255G02	<SV13>	
324	E27 624 640	Linear expansion valve	PAM-BB0YGMD-2	4	4	4	4	4	4	KR50C486H01	<LEV2a,2b,2d,4>	
325	E27 31B 493	Linear expansion valve coil	PAM-MD12MD-17	1	1	1	1	1	1	KR50C446H01	<LEV2a>	
326	E27 32B 493	Linear expansion valve coil	PAM-MD12MD-18	1	1	1	1	1	1	KR50C447H01	<LEV2b>	
327	E27 33B 493	Linear expansion valve coil	PAM-MD12MD-25	1	1	1	1	1	1	KR50C487H01	<LEV2d>	
328	E27 5T8 493	Linear expansion valve coil	PAM-MD12MD-30	1	1	1	1	1	1	KR50G080H01	<LEV4>	
329	E27 5T8 646	Pressure switch	ACB-1UB28W	1	1	1	1	1	1	KR69C200H02	<63H1>	
330	E27 5T9 646	Pressure sensor	NSK-BH042D-500	1	1	1	1	1	1	KJ00S507G05	<63HS> *	
331	E27 5T9 647	Pressure sensor	NSK-BH017D-505	1	1	1	1	1	1	KJ00S507G06	<63LS> *	
332	E27 5T8 307	Thermistor	PXM-41E-M105-01Y	1	1	1	1	1	1	VG00F259G01	<TH6>	
333	E27 5T9 307	Thermistor	PXM-41E-M105-01Y	1	1	1	1	1	1	VG00F260G02	<TH3,7>	
334	E27 6T0 307	Thermistor	PXM-41E-M105-01Y,PX2M-56D-M2	1	1	1	1	1	1	VG00F261G02	<TH4,15>	
335	E27 6T1 307	Thermistor	PXM-41E-M105-01Y	1	1	1	1	1	1	VG00F263G01	<TH5>	
336	E27 622 506	Rubber mount		4	4	4	4	4	4	KB31S115H01	For compressor	
337	E27 J47 508	Bolt	M6	4	4	4	4	4	4	KJ12F711H05		
338	E27 622 241	Sensor holder		1	1	1	1	1	1	KB25J374G01		
339	E27 R13 534	Attachment (HH)		2		2		2		KJ00F713G01		
340	E27 R23 534	Attachment (HH)	BS		2		2		2	KJ00F713G02		
341	E27 R33 534	Attachment		1		1		1		KJ02H960G01		
342	E27 R45 534	Attachment	BS		1		1		1	KJ00K055G01		
343	E27 R34 534	Attachment Saddle		1		1		1		KL00L214G01		
344	E27 6T5 534	Attachment Saddle	BS		1		1		1	KL00L214G02		
345	E27 R33 535	Saddle		1		1		1		KJ02H959G03		



PURY-M350,M400YXM-A.TH(-BS)
PURY-M450,M500YXM-A.TH(-BS)

FUNCTIONAL PARTS (2)

No.	Part No.	Part Name	Spec.	PURY-M350YXM-A.TH	PURY-M350YXM-A.TH-BS	PURY-M400YXM-A.TH	PURY-M400YXM-A.TH-BS	PURY-M450YXM-A.TH	PURY-M450YXM-A.TH-BS	Dwg. No.	Notes for the models	Revision info.
401	E27 5T8 900	Scroll compressor	HVK85FC-YE-C	1	1					EP10240B01		
402	E27 6T2 900	Scroll compressor	HVK97FC-YE-C			1	1	1	1	EP10241B01		
403	E27 6T1 630	Heat exchanger SP kit	3L T	1		1		1		VG00F316B05	*	
404	E27 6T8 630	Heat exchanger SP kit	3L T BS		1		1		1	VG00F316B06	*	
405	E27 6T2 630	Heat exchanger SP kit	3L B	1		1		1		VG00F316B07	*	
406	E27 6T9 630	Heat exchanger SP kit	3L B BS		1		1		1	VG00F316B08	*	
407	E27 5T8 932	Accumulator assy SP kit	BS	1	1	1	1	1	1	VG00F316B09	*	
408	E27 5T8 299	Oil separator assy		1	1	1	1	1	1	VG00F316B18		
409	E27 5T8 661	Ball valve	FQ-115-DN25	2	2	2	2	2	2	KR50C726H01	<BV1,2>	
410	E27 5T8 933	Strainer	28.6D-25.4D	1	1	1	1	1	1	KR48C459H01	<ST1>	
411	E27 J44 643	Check joint L	TCJ-2GME-5	2	2	2	2	2	2	KR50C388H01	<CJ1,2>	
412	E27 5T9 936	Capillary tube assy		1	1					VG00F316B11	<CP1> *	
413	E27 6T2 936	Capillary tube assy				1	1	1	1	VG00F316B12	<CP1> *	
414	E27 6T4 936	Capillary tube assy								VG00F316B13	<CP1> *	
415	E27 5T8 642	CV Assy SP kit		1	1	1	1	1	1	VG00F316B14	<CV2a,3a,5a,6a>*	
416	E27 5T9 642	Press. Regulat. Valve		1	1	1	1	1	1	KR50G205H01	<PRV1>	
417	E27 5T8 961	Four way valve A SP kit		1	1	1	1	1	1	VG00F316B15	<21S4a> *	
418	E27 5T9 961	Four way valve B SP kit		1	1	1	1	1	1	VG00F316B16	<21S4b> *	
419	E27 5T8 490	Solenoid valve coil		1	1	1	1	1	1	VG00F258G03	<21S4a,SV1a>	
420	E27 5T9 490	Solenoid valve coil		1	1	1	1	1	1	VG00F254G02	<21S4b>	
421	E27 981 492	Solenoid valve	FDF2A77	1	1	1	1	1	1	KR50D126H01	<SV1a>	
422	E27 J45 492	Solenoid valve	FDF6A58	4	4	4	4	4	4	KR50C440H01	<SV2,12,13,9>	
423	E27 6T0 490	Solenoid valve coil		1	1	1	1	1	1	VG00F257G02	<SV2,9>	
424	E27 6T1 490	Solenoid valve coil		1	1	1	1	1	1	VG00F256G02	<SV12>	
425	E27 6T2 490	Solenoid valve coil		1	1	1	1	1	1	VG00F255G02	<SV13>	
426	E27 624 640	Linear expansion valve	PAM-BB0YGMD-2	4	4	4	4	4	4	KR50C486H01	<LEV2a,2b,2d,4>	
427	E27 31B 493	Linear expansion valve coil	PAM-MD12MD-17	1	1	1	1	1	1	KR50C446H01	<LEV2a>	
428	E27 32B 493	Linear expansion valve coil	PAM-MD12MD-18	1	1	1	1	1	1	KR50C447H01	<LEV2b>	
429	E27 33B 493	Linear expansion valve coil	PAM-MD12MD-25	1	1	1	1	1	1	KR50C487H01	<LEV2d>	
430	E27 5T8 493	Linear expansion valve coil	PAM-MD12MD-30	1	1	1	1	1	1	KR50G080H01	<LEV4>	
431	E27 5T8 646	Pressure switch	ACB-1UB28W	1	1	1	1	1	1	KR69C200H02	<63H1>	
432	E27 5T9 646	Pressure sensor	NSK-BH042D-500	1	1	1	1	1	1	KJ00S507G05	<63HS> *	
433	E27 5T9 647	Pressure sensor	NSK-BH017D-505	1	1	1	1	1	1	KJ00S507G06	<63LS> *	
434	E27 5T8 307	Thermistor	PXM-41E-M105-01Y	1	1	1	1	1	1	VG00F259G01	<TH6>	
435	E27 5T9 307	Thermistor	PXM-41E-M105-01Y	1	1	1	1	1	1	VG00F260G02	<TH3,7>	
436	E27 6T0 307	Thermistor	PXM-41E-M105-01Y,PX2M-56D-M2	1	1	1	1	1	1	VG00F261G02	<TH4,15>	
437	E27 6T1 307	Thermistor	PXM-41E-M105-01Y	1	1	1	1	1	1	VG00F263G01	<TH5>	
438	E27 622 506	Rubber mount		4	4	4	4	4	4	KB31S115H01	For compressor	
439	E27 J47 508	Bolt	M6	4	4	4	4	4	4	KJ12F711H05		
440	E27 622 241	Sensor holder		1	1	1	1	1	1	KB25J374G01		
441	E27 R13 534	Attachment (HH)		2		2		2		KJ00F713G01		
442	E27 R23 534	Attachment (HH)	BS		2		2		2	KJ00F713G02		
443	E27 R33 534	Attachment		1		1		1		KJ02H960G01		
444	E27 R45 534	Attachment	BS		1		1		1	KJ00K055G01		
445	E27 R34 534	Attachment Saddle		1		1		1		KL00L214G01		

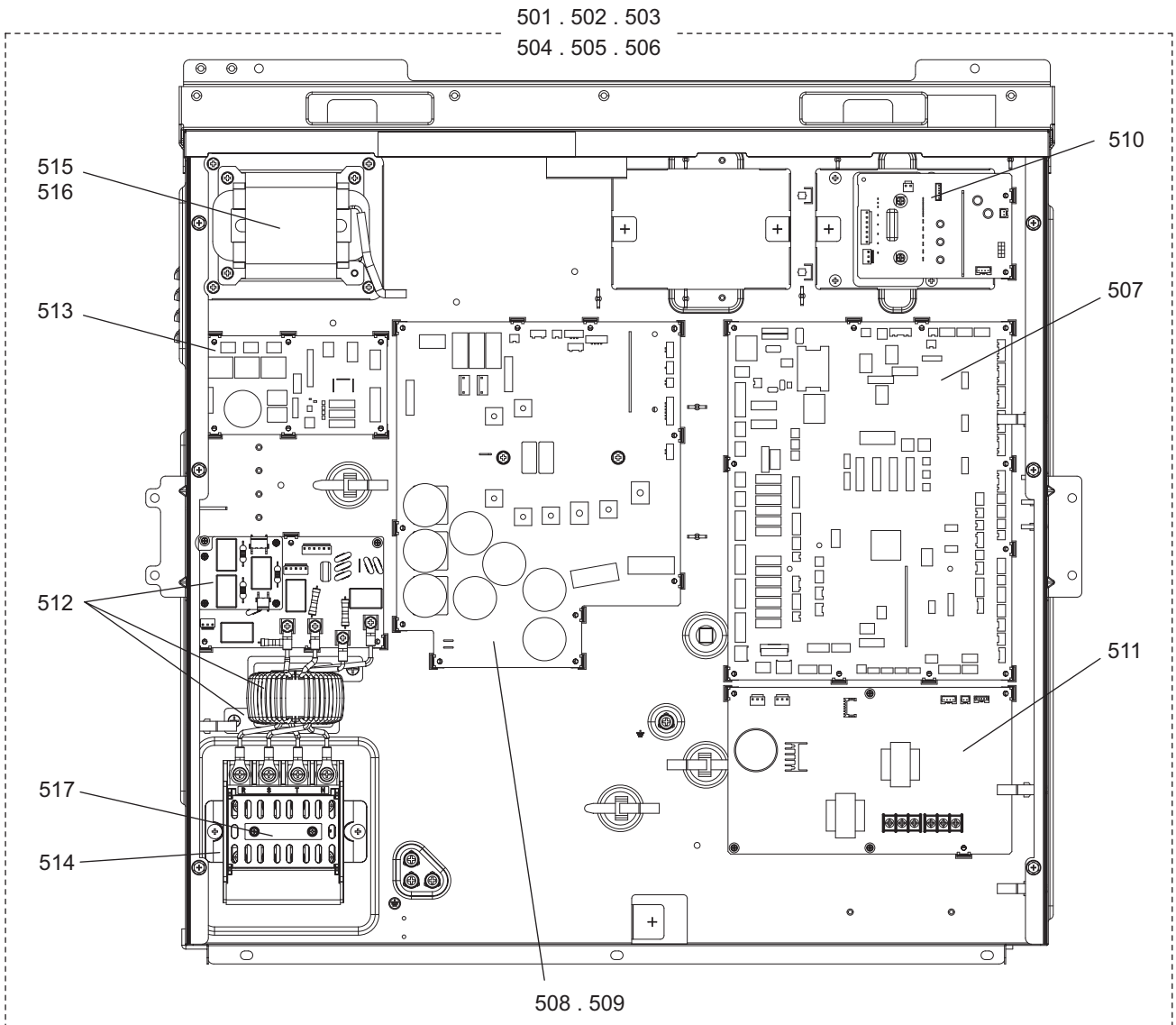
PURY-M350,M400YXM-A.TH(-BS)
PURY-M450,M500YXM-A.TH(-BS)

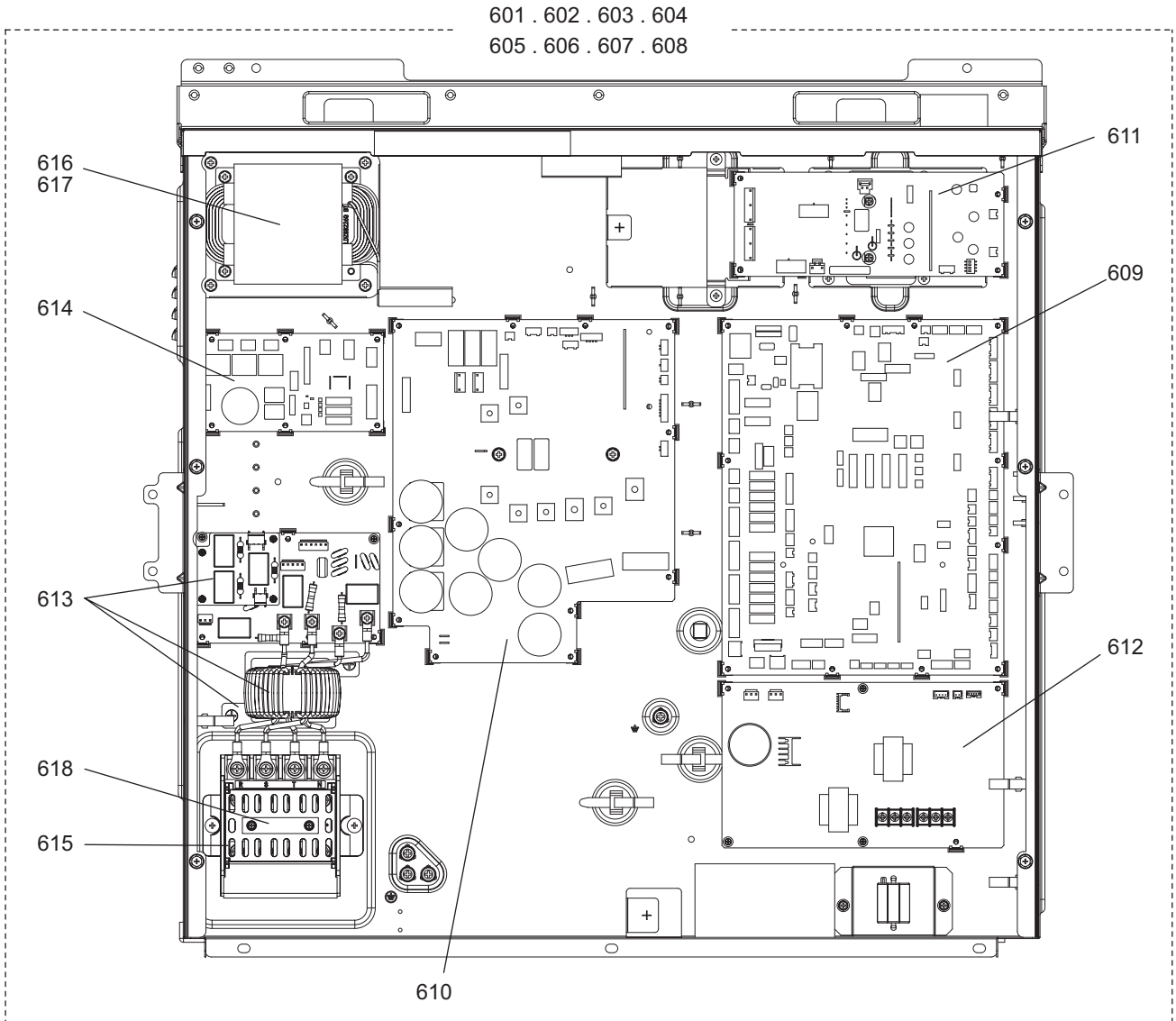
FUNCTIONAL PARTS (2)

No.	Part No.	Part Name	Spec.	PURY-M350YXM-A.TH	PURY-M400YXM-A.TH	PURY-M450YXM-A.TH	PURY-M500YXM-A.TH	Dwg. No.	Notes for the models	Revision info.
401	E27 5T8 900	Scroll compressor	HVK85FC-YE-C					EP10240B01		
402	E27 6T2 900	Scroll compressor	HVK97FC-YE-C	1	1			EP10241B01		
403	E27 6T1 630	Heat exchanger SP kit	3L T	1				VG00F316B05	*	
404	E27 6T8 630	Heat exchanger SP kit	3L T BS		1			VG00F316B06	*	
405	E27 6T2 630	Heat exchanger SP kit	3L B	1				VG00F316B07	*	
406	E27 6T9 630	Heat exchanger SP kit	3L B BS		1			VG00F316B08	*	
407	E27 5T8 932	Accumulator assy SP kit	BS	1	1			VG00F316B09	*	
408	E27 5T8 299	Oil separator assy		1	1			VG00F316B18		
409	E27 5T8 661	Ball valve	FQ-115-DN25	2	2			KR50C726H01	<BV1,2>	
410	E27 5T8 933	Strainer	28.6D-25.4D	1	1			KR48C459H01	<ST1>	
411	E27 J44 643	Check joint L	TCJ-2GME-5	2	2			KR50C388H01	<CJ1,2>	
412	E27 5T9 936	Capillary tube assy						VG00F316B11	<CP1> *	
413	E27 6T2 936	Capillary tube assy						VG00F316B12	<CP1> *	
414	E27 6T4 936	Capillary tube assy		1	1			VG00F316B13	<CP1> *	
415	E27 5T8 642	CV Assy SP kit		1	1			VG00F316B14	<CV2a,3a,5a,6a>*	
416	E27 5T9 642	Press. Regulat. Valve		1	1			KR50G205H01	<PRV1>	
417	E27 5T8 961	Four way valve A SP kit		1	1			VG00F316B15	<21S4a> *	
418	E27 5T9 961	Four way valve B SP kit		1	1			VG00F316B16	<21S4b> *	
419	E27 5T8 490	Solenoid valve coil		1	1			VG00F258G03	<21S4a,SV1a>	
420	E27 5T9 490	Solenoid valve coil		1	1			VG00F254G02	<21S4b>	
421	E27 981 492	Solenoid valve	FDF2A77	1	1			KR50D126H01	<SV1a>	
422	E27 J45 492	Solenoid valve	FDF6A58	4	4			KR50C440H01	<SV2,12,13,9>	
423	E27 6T0 490	Solenoid valve coil		1	1			VG00F257G02	<SV2,9>	
424	E27 6T1 490	Solenoid valve coil		1	1			VG00F256G02	<SV12>	
425	E27 6T2 490	Solenoid valve coil		1	1			VG00F255G02	<SV13>	
426	E27 624 640	Linear expansion valve	PAM-BB0YGMD-2	4	4			KR50C486H01	<LEV2a,2b,2d,4>	
427	E27 31B 493	Linear expansion valve coil	PAM-MD12MD-17	1	1			KR50C446H01	<LEV2a>	
428	E27 32B 493	Linear expansion valve coil	PAM-MD12MD-18	1	1			KR50C447H01	<LEV2b>	
429	E27 33B 493	Linear expansion valve coil	PAM-MD12MD-25	1	1			KR50C487H01	<LEV2d>	
430	E27 5T8 493	Linear expansion valve coil	PAM-MD12MD-30	1	1			KR50G080H01	<LEV4>	
431	E27 5T8 646	Pressure switch	ACB-1UB28W	1	1			KR69C200H02	<63H1>	
432	E27 5T9 646	Pressure sensor	NSK-BH042D-500	1	1			KJ00S507G05	<63HS> *	
433	E27 5T9 647	Pressure sensor	NSK-BH017D-505	1	1			KJ00S507G06	<63LS> *	
434	E27 5T8 307	Thermistor	PXM-41E-M105-01Y	1	1			VG00F259G01	<TH6>	
435	E27 5T9 307	Thermistor	PXM-41E-M105-01Y	1	1			VG00F260G02	<TH3,7>	
436	E27 6T0 307	Thermistor	PXM-41E-M105-01Y,PX2M-56D-M2	1	1			VG00F261G02	<TH4,15>	
437	E27 6T1 307	Thermistor	PXM-41E-M105-01Y	1	1			VG00F263G01	<TH5>	
438	E27 622 506	Rubber mount		4	4			KB31S115H01	For compressor	
439	E27 J47 508	Bolt	M6	4	4			KJ12F711H05		
440	E27 622 241	Sensor holder		1	1			KB25J374G01		
441	E27 R13 534	Attachment (HH)		2				KJ00F713G01		
442	E27 R23 534	Attachment (HH)	BS		2			KJ00F713G02		
443	E27 R33 534	Attachment		1				KJ02H960G01		
444	E27 R45 534	Attachment	BS		1			KJ00K055G01		
445	E27 R34 534	Attachment Saddle		1				KL00L214G01		

PURY-M200YXM-A.TH(-BS)
PURY-M250YXM-A.TH(-BS)
PURY-M300YXM-A.TH(-BS)

CONTROL BOX PARTS (1)





mitsubishi
electric
corporation

BWE025720(20260331)