

# SERVICE PARTS LIST FOR MITSUBISHI ELECTRIC PACKAGED AIR-CONDITIONERS

Series : PURY-EM·YXM-A(-BS)

For use with the R32

Feb. 2026  
BWE025690

## INDEX

PURY-EM200YXM-A(-BS)

PURY-EM250YXM-A(-BS)

PURY-EM300YXM-A(-BS)

PURY-EM350YXM-A(-BS)

PURY-EM400YXM-A(-BS)

PURY-EM450YXM-A(-BS)

PURY-EM500YXM-A(-BS)

## The Package name list

**PURY-EM400YSXM-A(-BS)** [PURY-EM200YXM-A(-BS)+PURY-EM200YXM-A(-BS)]

**PURY-EM450YSXM-A(-BS)** [PURY-EM200YXM-A(-BS)+PURY-EM250YXM-A(-BS)]

**PURY-EM500YSXM-A(-BS)** [PURY-EM250YXM-A(-BS)+PURY-EM250YXM-A(-BS)]

**PURY-EM550YSXM-A(-BS)** [PURY-EM250YXM-A(-BS)+PURY-EM300YXM-A(-BS)]

**PURY-EM600YSXM-A(-BS)** [PURY-EM300YXM-A(-BS)+PURY-EM300YXM-A(-BS)]

**PURY-EM650YSXM-A(-BS)** [PURY-EM300YXM-A(-BS)+PURY-EM350YXM-A(-BS)]

**PURY-EM700YSXM-A(-BS)** [PURY-EM350YXM-A(-BS)+PURY-EM350YXM-A(-BS)]

**PURY-EM750YSXM-A(-BS)** [PURY-EM350YXM-A(-BS)+PURY-EM400YXM-A(-BS)]

**PURY-EM800YSXM-A(-BS)** [PURY-EM400YXM-A(-BS)+PURY-EM400YXM-A(-BS)]

**PURY-EM850YSXM-A(-BS)** [PURY-EM400YXM-A(-BS)+PURY-EM450YXM-A(-BS)]

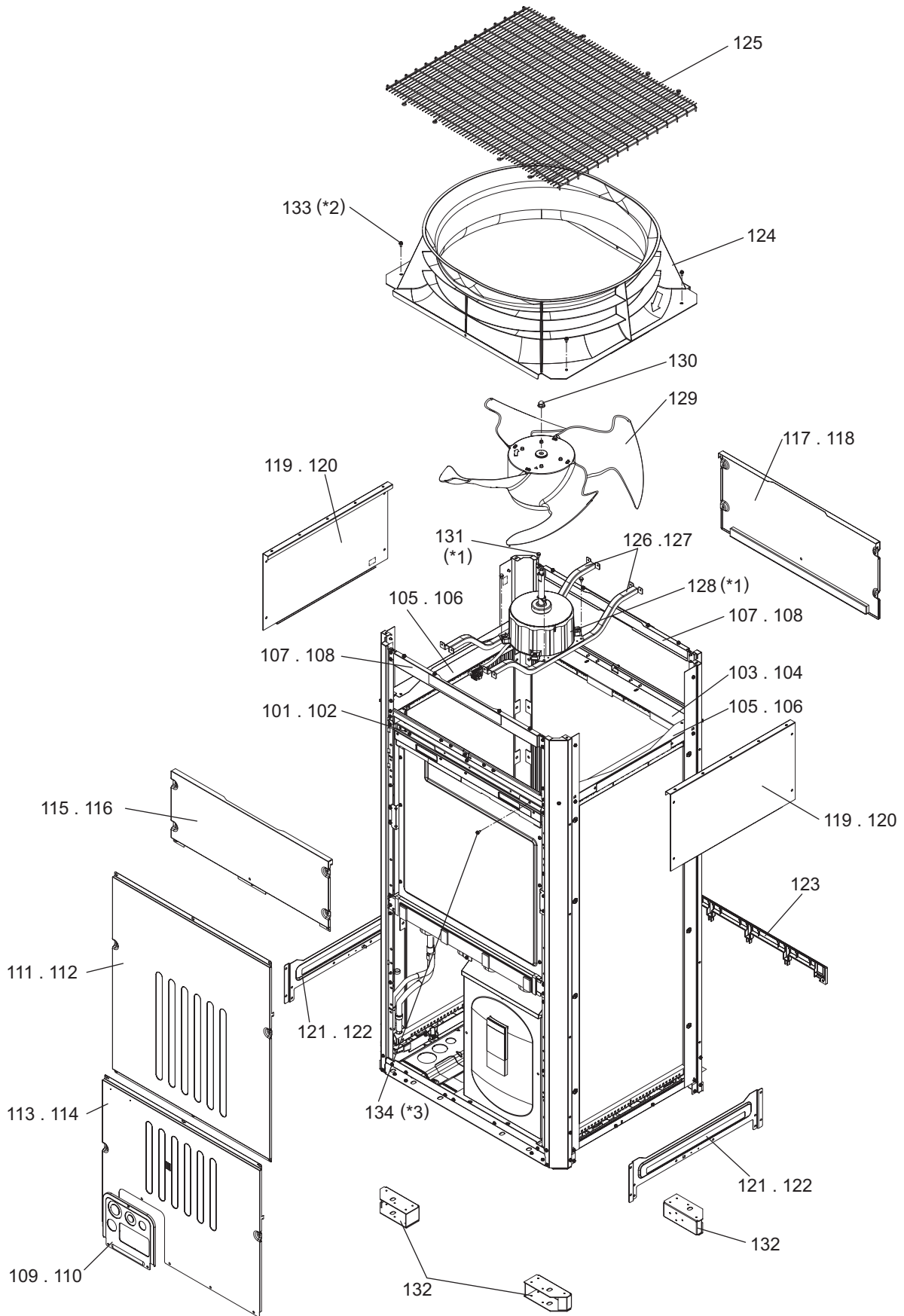
**PURY-EM900YSXM-A(-BS)** [PURY-EM450YXM-A(-BS)+PURY-EM450YXM-A(-BS)]

**PURY-EM950YSXM-A(-BS)** [PURY-EM450YXM-A(-BS)+PURY-EM500YXM-A(-BS)]

**PURY-EM1000YSXM-A(-BS)** [PURY-EM500YXM-A(-BS)+PURY-EM500YXM-A(-BS)]

PURY-EM200YXM-A(-BS)  
 PURY-EM250YXM-A(-BS)  
 PURY-EM300YXM-A(-BS)

EXTERNAL PARTS & BLOWER PARTS (1-1)

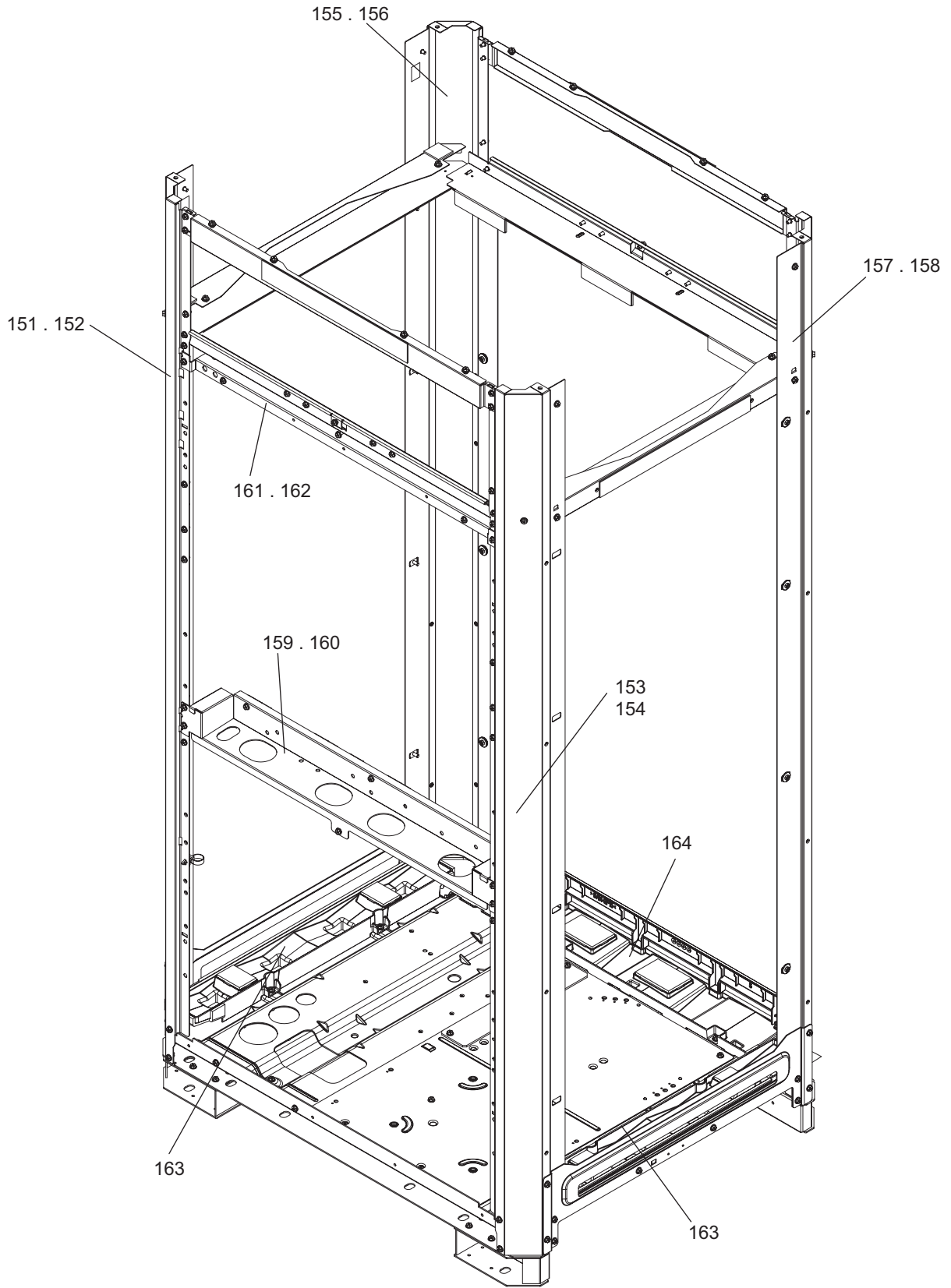


\*1 When replacing 128, replace it together with 131.  
 \*2 PURY-EM200,EM250,EM300YXM-A(-BS)...20 WFT Screws (part No.133)  
 \*3 PURY-EM200,EM250,EM300YXM-A(-BS)...170 H Screws (part No.134)

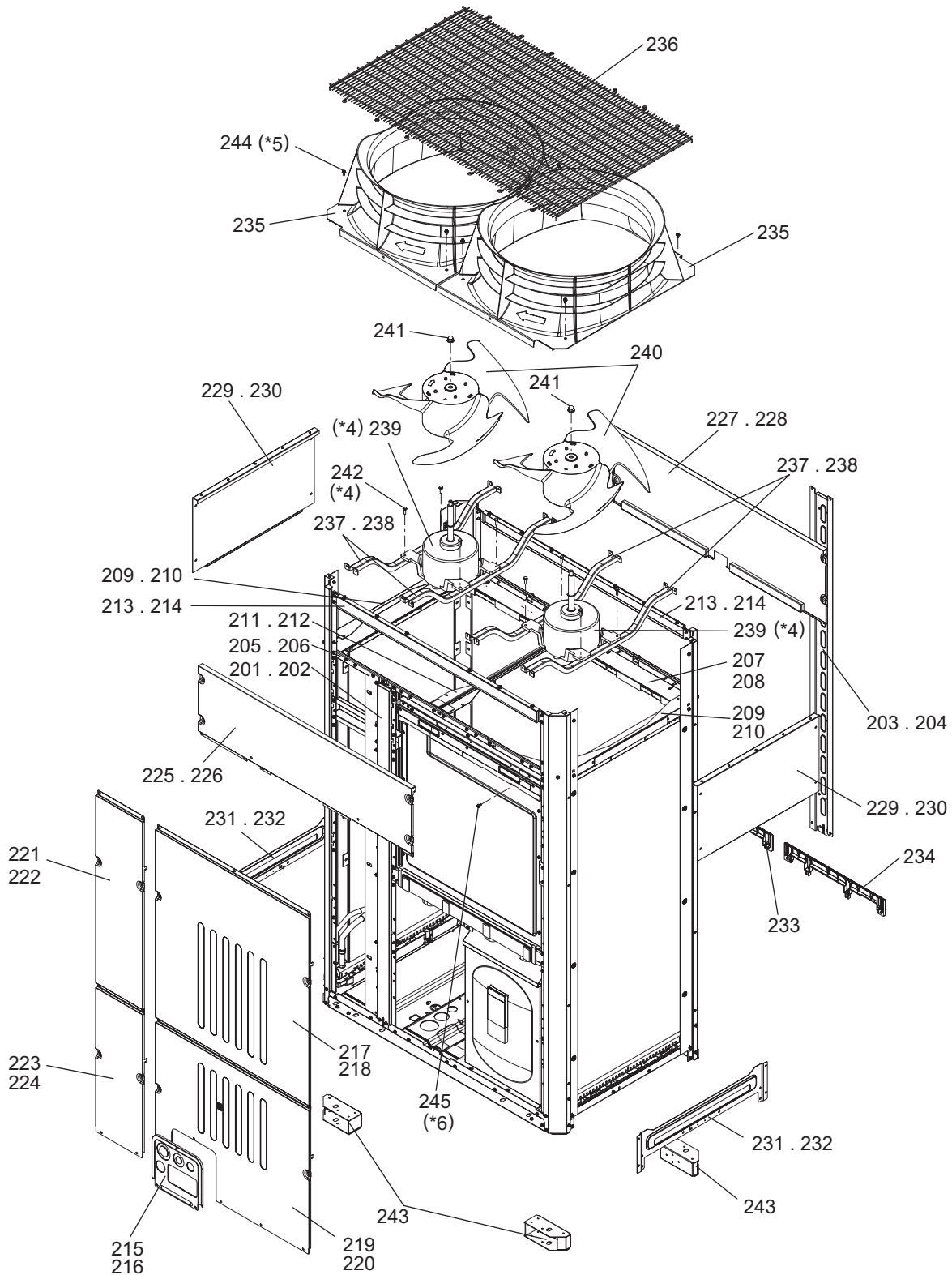


PURY-EM200YXM-A(-BS)  
PURY-EM250YXM-A(-BS)  
PURY-EM300YXM-A(-BS)

EXTERNAL PARTS & BLOWER PARTS (1-2)







\*4 When replacing 239, replace it together with 242.

\*5 PURY-EM350,EM400,EM450,EM500YXM-A(-BS)...31 WFT Screws (part No.244)

\*6 PURY-EM350,EM400,EM450,EM500YXM-A(-BS)...210 H Screws (part No.245)

PURY-EM350,EM400YXM-A(-BS)  
PURY-EM450,EM500YXM-A(-BS)

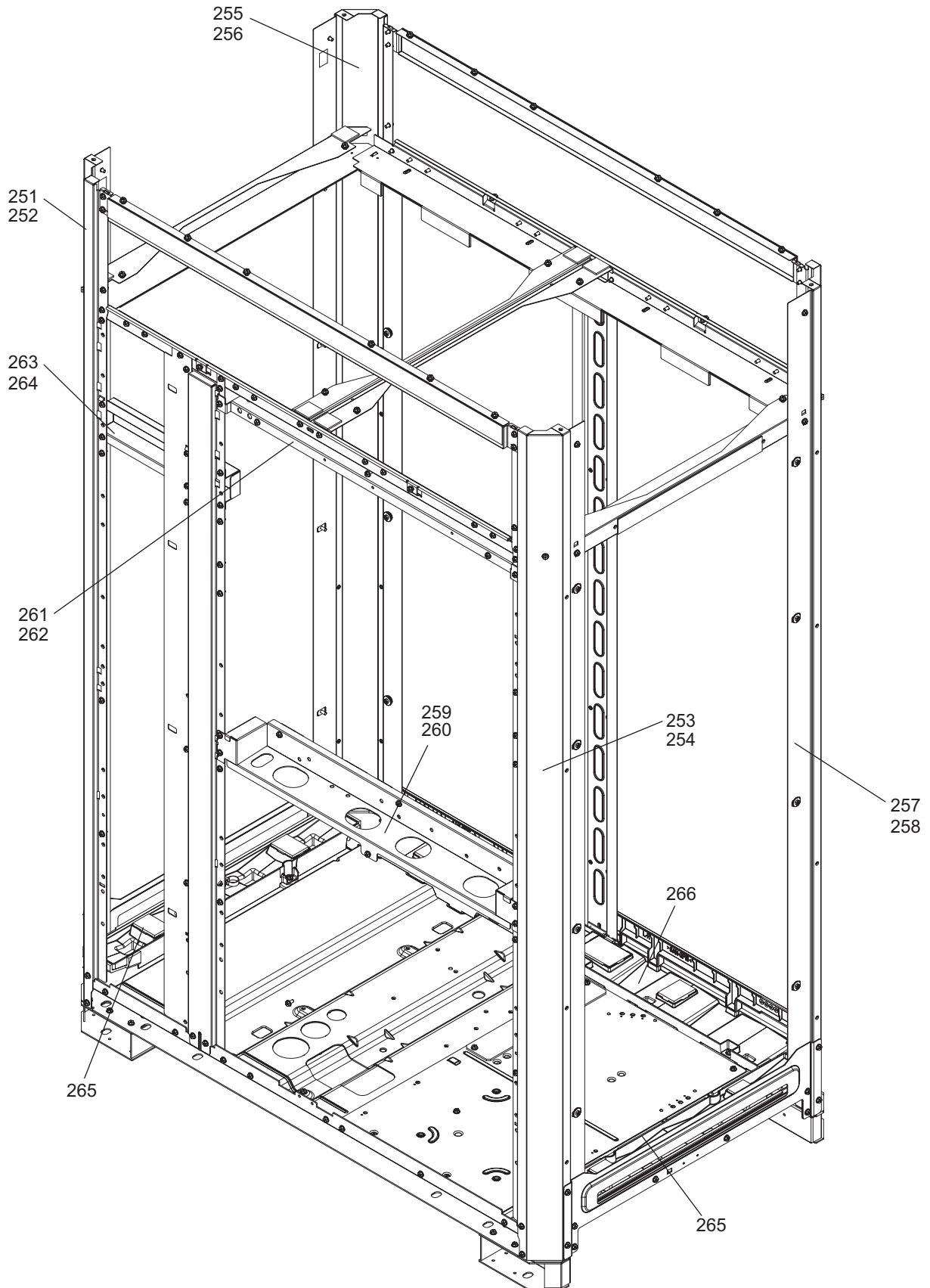
EXTERNAL PARTS & BLOWER PARTS (2-1)

No.	Part No.	Part Name	Spec.	PURY-EM350YXM-A	PURY-EM350YXM-A-BS	PURY-EM400YXM-A	PURY-EM400YXM-A-BS	PURY-EM450YXM-A	PURY-EM450YXM-A-BS	Dwg. No.	Notes for the models	Revision info.
201	R61 042 670	Pillar CF		1		1		1		KB02Y726G06		
202	R61 043 670	Pillar CF	BS		1	1		1		KB02Y726G04		
203	R61 030 670	Pillar CB		1		1		1		KB02Y727G03		
204	R61 031 670	Pillar CB	BS		1	1		1		KB02Y727G02		
205	R61 009 161	Frame F		1		1		1		KD02V422H01		
206	R61 012 161	Frame F	BS		1	1		1		KD02V422G02		
207	R61 029 160	Frame assy B		1		1		1		KB00C7EBG01		
208	R61 030 160	Frame assy B	BS		1	1		1		KB00C7EBG02		
209	R61 178 162	Frame assy LR		2		2		2		KB00C79QG05		
210	R61 179 162	Frame assy LR	BS		2	2		2		KB00C79QG06		
211	R61 187 162	Frame assy C		1		1		1		KB00C80TG03		
212	R61 188 162	Frame assy C	BS		1	1		1		KB00C80TG04		
213	R61 189 162	Frame assy T		2		2		2		KB00C7FKG03		
214	R61 190 162	Frame assy T	BS		2	2		2		KB00C7FKG04		
215	R61 309 690	Piping cover		1		1		1		KB02C6SMG01		
216	R61 310 690	Piping cover	BS		1	1		1		KB02C6SMG02		
217	R61 588 651	Panel F		1		1		1		KD02V392G01		
218	R61 593 651	Panel F	BS		1	1		1		KD02V392G02		
219	R61 589 651	Panel FB		1		1		1		KD02V393G03		
220	R61 594 651	Panel FB	BS		1	1		1		KD02V393G04		
221	R61 556 651	Panel LFT		1		1		1		KD02V400G01		
222	R61 557 651	Panel LFT	BS		1	1		1		KD02V400G02		
223	R61 558 651	Panel LFU		1		1		1		KD02V402G01		
224	R61 559 651	Panel LFU	BS		1	1		1		KD02V402G02		
225	R61 050 652	Panel FT		1		1		1		KD02V397G01		
226	R61 051 652	Panel FT	BS		1	1		1		KD02V397G02		
227	R61 560 651	Panel assy BT		1		1		1		KB00C7FLG03		
228	R61 561 651	Panel assy BT	BS		1	1		1		KB00C7FLG04		
229	R61 554 651	Panel LRT		2		2		2		KD02V396G03		
230	R61 555 651	Panel LRT	BS		2	2		2		KD02V396G04		
231	R61 324 690	Header cover LR		2		2		2		KD02V517G03		
232	R61 312 690	Header cover LR	BS		2	2		2		KD02V517G04		
233	R61 314 690	Header cover assy BL		1	1	1	1	1	1	KB00C7RCG01		
234	R61 315 690	Header cover assy BR		1	1	1	1	1	1	KB00C7RDG01		
235	R61 023 119	Bell mouth		2	2	2	2	2	2	KB25Y720H01		
236	R61 025 118	Fan guard		1	1	1	1	1	1	VR07A145G02		
237	R61 045 140	Base fan		4		4		4		KD02V421H01		
238	R61 046 140	Base fan	BS		4	4		4		KD02V421G02		
239	R61 554 220	Motor	MOTOR L-MW-750-H4-1	2	2	2	2	2	2	P780426X01	*4	
240	R61 067 114	Fan	550D	2	2	2	2	2	2	KB25Y718H01		
241	R63 4H6 122	Box nut	M12 CH	2	2	2	2	2	2	P552000X01		
242	R61 028 087	Upset screw	M6 x 22	8	8	8	8	8	8	P516049X01	*4	
243	R61 068 130	Attachment Leg		4	4	4	4	4	4	KB00C93EG02		
244	R63 006 087	WFT screw	M5 x 12(30pcs)	2	2	2	2	2	2	KB00H418G01	*5	
245	R61 048 087	H screw	M5 x 10 KNURLED(30pcs)	7	7	7	7	7	7	KB00H418G14	*6	

**PURY-EM350,EM400YXM-A(-BS)  
PURY-EM450,EM500YXM-A(-BS)**

**EXTERNAL PARTS & BLOWER PARTS (2-1)**

No.	Part No.	Part Name	Spec.	PURY-EM350YXM-A	PURY-EM400YXM-A	PURY-EM450YXM-A	PURY-EM500YXM-A	Dwg. No.	Notes for the models	Revision info.
201	R61 042 670	Pillar CF		1				KB02Y726G06		
202	R61 043 670	Pillar CF	BS	1				KB02Y726G04		
203	R61 030 670	Pillar CB		1				KB02Y727G03		
204	R61 031 670	Pillar CB	BS	1				KB02Y727G02		
205	R61 009 161	Frame F		1				KD02V422H01		
206	R61 012 161	Frame F	BS	1				KD02V422G02		
207	R61 029 160	Frame assy B		1				KB00C7EBG01		
208	R61 030 160	Frame assy B	BS	1				KB00C7EBG02		
209	R61 178 162	Frame assy LR		2				KB00C79QG05		
210	R61 179 162	Frame assy LR	BS	2				KB00C79QG06		
211	R61 187 162	Frame assy C		1				KB00C80TG03		
212	R61 188 162	Frame assy C	BS	1				KB00C80TG04		
213	R61 189 162	Frame assy T		2				KB00C7FKG03		
214	R61 190 162	Frame assy T	BS	2				KB00C7FKG04		
215	R61 309 690	Piping cover		1				KB02C6SMG01		
216	R61 310 690	Piping cover	BS	1				KB02C6SMG02		
217	R61 588 651	Panel F		1				KD02V392G01		
218	R61 593 651	Panel F	BS	1				KD02V392G02		
219	R61 589 651	Panel FB		1				KD02V393G03		
220	R61 594 651	Panel FB	BS	1				KD02V393G04		
221	R61 556 651	Panel LFT		1				KD02V400G01		
222	R61 557 651	Panel LFT	BS	1				KD02V400G02		
223	R61 558 651	Panel LFU		1				KD02V402G01		
224	R61 559 651	Panel LFU	BS	1				KD02V402G02		
225	R61 050 652	Panel FT		1				KD02V397G01		
226	R61 051 652	Panel FT	BS	1				KD02V397G02		
227	R61 560 651	Panel assy BT		1				KB00C7FLG03		
228	R61 561 651	Panel assy BT	BS	1				KB00C7FLG04		
229	R61 554 651	Panel LRT		2				KD02V396G03		
230	R61 555 651	Panel LRT	BS	2				KD02V396G04		
231	R61 324 690	Header cover LR		2				KD02V517G03		
232	R61 312 690	Header cover LR	BS	2				KD02V517G04		
233	R61 314 690	Header cover assy BL		1	1			KB00C7RCG01		
234	R61 315 690	Header cover assy BR		1	1			KB00C7RDG01		
235	R61 023 119	Bell mouth		2	2			KB25Y720H01		
236	R61 025 118	Fan guard		1	1			VR07A145G02		
237	R61 045 140	Base fan		4				KD02V421H01		
238	R61 046 140	Base fan	BS	4				KD02V421G02		
239	R61 554 220	Motor	MOTOR L-MW-750-H4-1	2	2			P780426X01	*4	
240	R61 067 114	Fan	550D	2	2			KB25Y718H01		
241	R63 4H6 122	Box nut	M12 CH	2	2			P552000X01		
242	R61 028 087	Upset screw	M6 x 22	8	8			P516049X01	*4	
243	R61 068 130	Attachment Leg		4	4			KB00C93EG02		
244	R63 006 087	WFT screw	M5 x 12(30pcs)	2	2			KB00H418G01	*5	
245	R61 048 087	H screw	M5 x 10 KNURLED(30pcs)	7	7			KB00H418G14	*6	

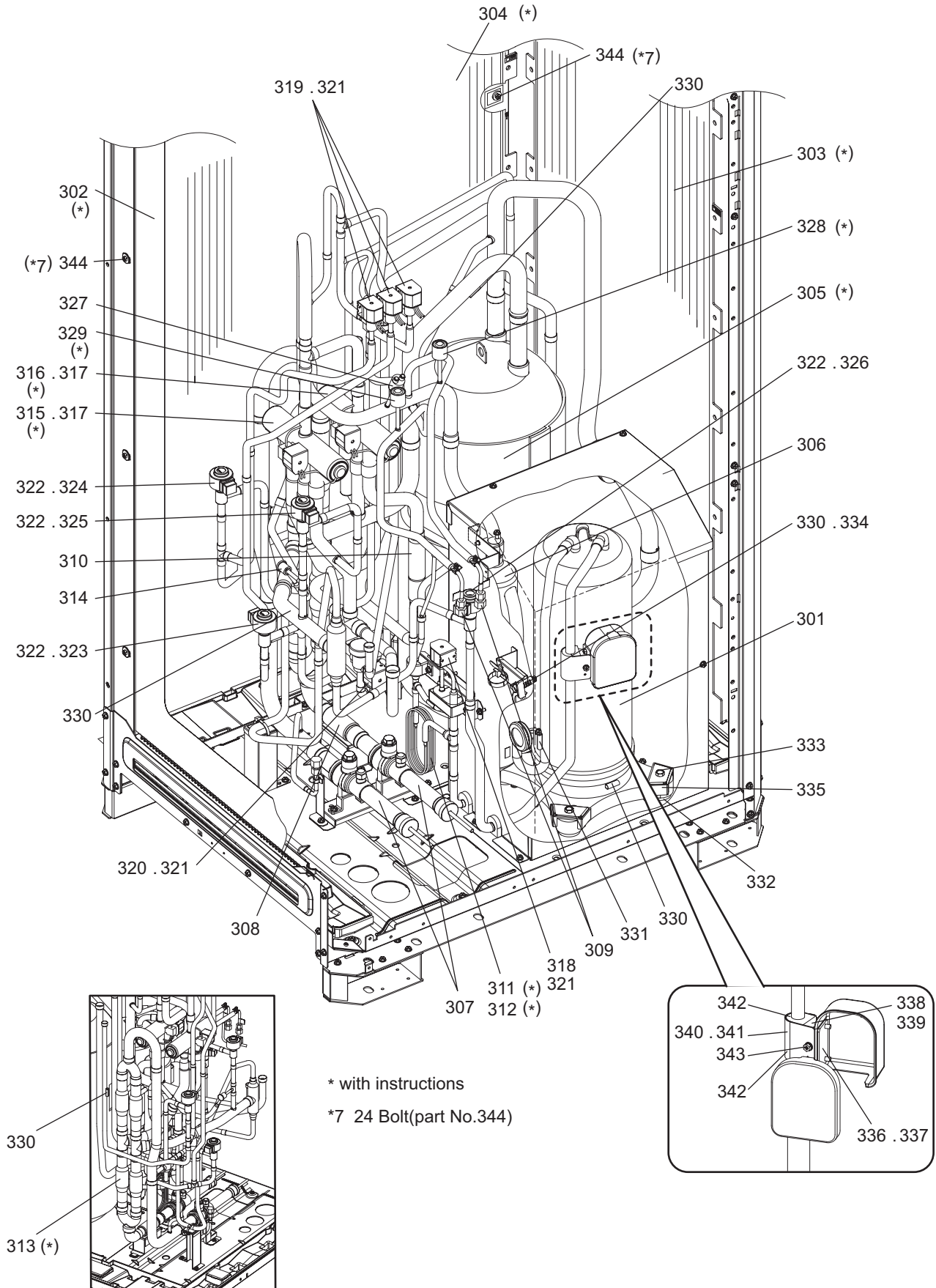






PURY-EM200YXM-A(-BS)  
 PURY-EM250YXM-A(-BS)  
 PURY-EM300YXM-A(-BS)

FUNCTIONAL PARTS (1)

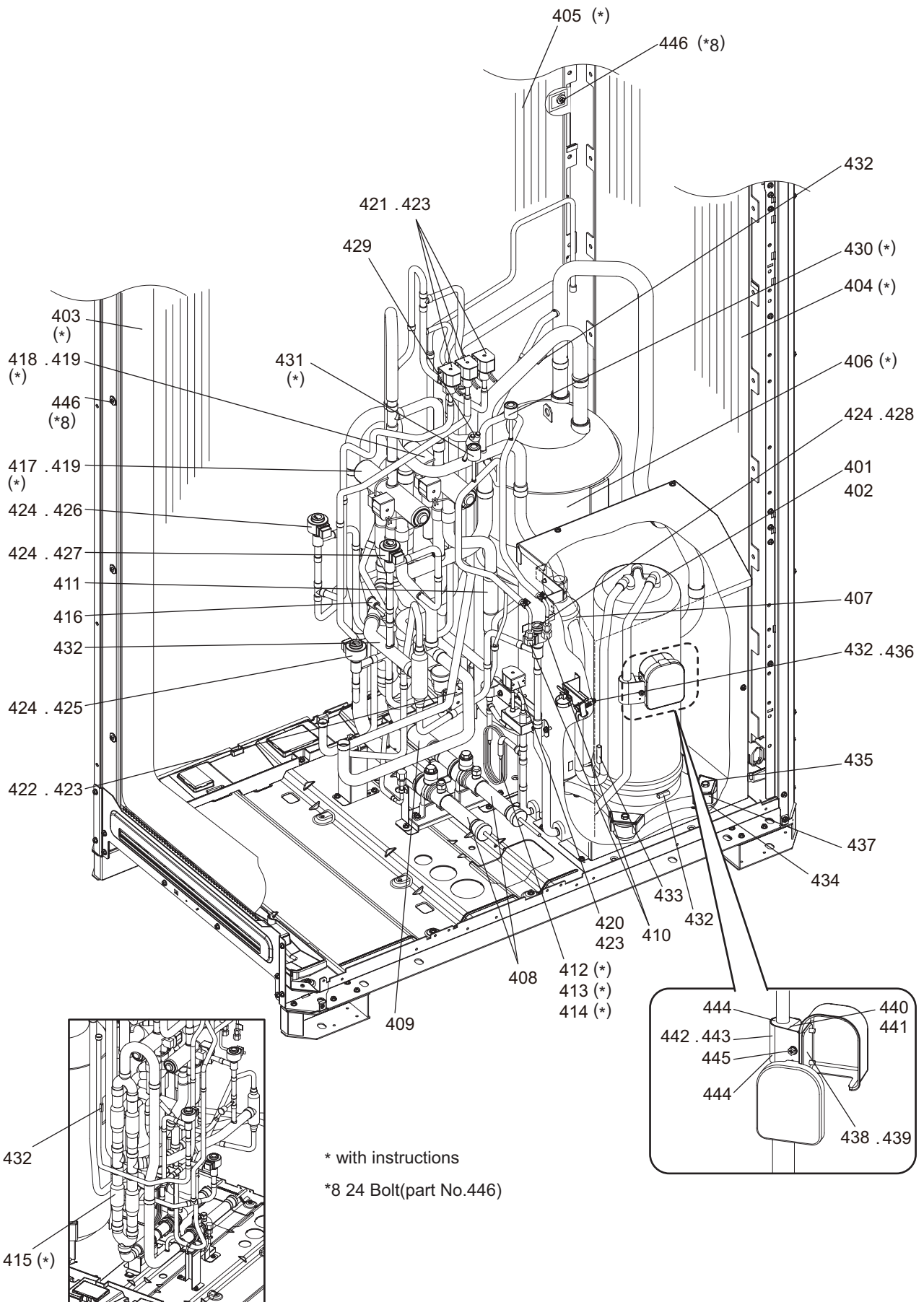


\* with instructions  
 \*7 24 Bolt(part No.344)

PURY-EM200YXM-A(-BS)  
PURY-EM250YXM-A(-BS)  
PURY-EM300YXM-A(-BS)

FUNCTIONAL PARTS (1)

No.	Part No.	Part Name	Spec.	PURY-EM200YXM-A	PURY-EM250YXM-A-BS	PURY-EM300YXM-A	PURY-EM200YXM-A-BS	PURY-EM300YXM-A	Dwg. No.	Notes for the models	Revision info.
301	R69 255 478	Scroll compressor	HVK85FC-YERC	1	1	1	1	1	EP10255B01		
302	R61 N82 480	Heat exchanger SP kit	L	1	1	1	1	1	KJ00S493G04	*	
303	R61 N83 480	Heat exchanger SP kit	R	1	1	1	1	1	KJ00S494G04	*	
304	R61 N84 480	Heat exchanger SP kit	B	1	1	1	1	1	KJ00S491G04	*	
305	R61 227 484	Accumulator assy SP kit	BS	1	1	1	1	1	KJ00S504G03	*	
306	R61 076 487	Oil separator assy		1	1	1	1	1	KB00C9SNG01		
307	R61 035 410	Ball valve	FQ-115-DN25	2	2	2	2	2	P636422X01	<BV1,2>	
308	R61 023 454	Strainer	28.6D-25.4D	1	1	1	1	1	KR48C459H01	<ST1>	
309	R61 007 413	Check joint L	TCJ-2GME-5	2	2	2	2	2	KR50C388H01	<CJ1,2>	
310	R61 101 418	Check valve	YCV15-014	1	1	1	1	1	P639220X01	<CV>	
311	R61 042 425	Capillary tube assy		1	1	1	1		KJ00S505G08	<CP1> *	
312	R61 043 425	Capillary tube assy						1	KJ00S505G09	<CP1> *	
313	R61 157 418	CV Assy SP kit		1	1	1	1	1	KJ00U014G02	<CV2a,3a,5a,6a>*	
314	R61 001 416	Press. Regulat. Valve		1	1	1	1	1	P639226X01	<PRV1>	
315	R61 037 403	Four way valve A SP kit		1	1	1	1	1	KJ00S506G05	<21S4a> *	
316	R61 038 403	Four way valve B SP kit		1	1	1	1	1	KJ00S506G06	<21S4b> *	
317	R61 016 242	Four way valve coil	SQ-A2122G-005025-RK	2	2	2	2	2	P472115X02	<21S4a,b>	
318	R63 046 232	Solenoid valve	FDF2A77	1	1	1	1	1	P631312X01	<SV1a>	
319	R61 097 232	Solenoid valve	FDF6A58	3	3	3	3	3	P631340X01	<SV2,12,13>	
320	R61 099 232	Solenoid valve	FDF11A27	1	1	1	1	1	P631341X01	<SV16>	
321	R61 055 243	Solenoid valve coil	FQ-A0122G-001574-RK	5	5	5	5	5	P472116X01	<SV1a,2,12,13,16>	
322	R61 107 401	Linear expansion valve	PAM-BB0YGMD-2	4	4	4	4	4	KR50C486H01	<LEV2a,2b,2d,4>	
323	R61 142 401	Linear expansion valve coil	PAM-MD12MD-17	1	1	1	1	1	P472109X01	<LEV2a>	
324	R61 143 401	Linear expansion valve coil	PAM-MD12MD-18	1	1	1	1	1	P472110X01	<LEV2b>	
325	R61 146 401	Linear expansion valve coil	PAM-MD12MD-25	1	1	1	1	1	KR50C487H01	<LEV2d>	
326	R61 170 401	Linear expansion valve coil	PAM-MD12MD-30	1	1	1	1	1	KR50G080H01	<LEV4>	
327	R61 056 208	Pressure switch	ACB-1UB28W	1	1	1	1	1	P426320X02	<63H1>	
328	R61 167 288	Pressure sensor	NSK-BH042D-500	1	1	1	1	1	KJ00S507G03	<63HS> *	
329	R61 168 288	Pressure sensor	NSK-BH017D-505	1	1	1	1	1	KJ00S507G04	<63LS> *	
330	R61 280 200	Thermistor	PXM-41E-M105-01Y	5	5	5	5	5	P418144X01	<TH3,5,6,7,15>	
331	R61 294 200	Thermistor	PX2M-56D-M2	1	1	1	1	1	P418110X01	<TH4>	
332	R63 852 860	Rubber mount		4	4	4	4	4	W897574H01	For compressor	
333	R61 009 306	Bolt	M6	4	4	4	4	4	KJ12F711H05		
334	R61 001 310	Sensor holder		1	1	1	1	1	KB25B471H04		
335	R61 027 155	Attachment (HH)		2	2	2	2	2	KJ00F713G04		
336	R61 001 132	Attachment		1		1			KB02K008H01		
337	R61 002 132	Attachment	BS		1		1		KB02K008H02		
338	R61 005 609	Attachment Saddle		1		1			KL00L214G03		
339	R61 006 609	Attachment Saddle	BS		1		1		KL00L214G04		
340	R61 003 456	Saddle		1		1			KJ02K540H01		
341	R61 004 456	Saddle	BS		1		1		KJ02K540H02		
342	R11 934 905	Packing		2	2	2	2	2	W483653G03		
343	R61 010 087	Screw upset	M5 x 12	3	3	3	3	3	S516322H01		
344	R61 015 306	Bolt	M5 x 13(10個人)	3	3	3	3	3	KJ00S497G02	*7	



PURY-EM350,EM400YXM-A(-BS)  
PURY-EM450,EM500YXM-A(-BS)

FUNCTIONAL PARTS (2)

No.	Part No.	Part Name	Spec.	PURY-EM350YXM-A	PURY-EM350YXM-A-BS	PURY-EM400YXM-A	PURY-EM400YXM-A-BS	PURY-EM450YXM-A	PURY-EM450YXM-A-BS	Dwg. No.	Notes for the models	Revision info.
401	R69 255 478	Scroll compressor	HVK85FC-YERC	1	1					EP10255B01		
402	R69 256 478	Scroll compressor	HVK97FC-YERC			1	1	1	1	EP10256B01		
403	R61 N82 480	Heat exchanger SP kit	L	1	1	1	1	1	1	KJ00S493G04	*	
404	R61 N83 480	Heat exchanger SP kit	R	1	1	1	1	1	1	KJ00S494G04	*	
405	R61 N87 480	Heat exchanger SP kit	B	1	1	1	1	1	1	KJ00S907G02	*	
406	R61 227 484	Accumulator assy SP kit	BS	1	1	1	1	1	1	KJ00S504G03	*	
407	R61 076 487	Oil separator assy		1	1	1	1	1	1	KB00C9SNG01		
408	R61 035 410	Ball valve	FQ-115-DN25	2	2	2	2	2	2	P636422X01	<BV1,2>	
409	R61 023 454	Strainer	28.6D-25.4D	1	1	1	1	1	1	KR48C459H01	<ST1>	
410	R61 007 413	Check joint L	TCJ-2GME-5	2	2	2	2	2	2	KR50C388H01	<CJ1,2>	
411	R61 101 418	Check valve	YCV15-014	1	1	1	1	1	1	P639220X01	<CV>	
412	R61 043 425	Capillary tube assy		1	1					KJ00S505G09	<CP1> *	
413	R61 044 425	Capillary tube assy				1	1	1	1	KJ00S505G10	<CP1> *	
414	R61 045 425	Capillary tube assy								KJ00S505G11	<CP1> *	
415	R61 157 418	CV Assy SP kit		1	1	1	1	1	1	KJ00U014G02	<CV2a,3a,5a,6a>*	
416	R61 001 416	Press. Regulat. Valve		1	1	1	1	1	1	P639226X01	<PRV1>	
417	R61 037 403	Four way valve A SP kit		1	1	1	1	1	1	KJ00S506G05	<21S4a> *	
418	R61 038 403	Four way valve B SP kit		1	1	1	1	1	1	KJ00S506G06	<21S4b> *	
419	R61 016 242	Four way valve coil	SQ-A2122G-005025-RK	2	2	2	2	2	2	P472115X02	<21S4a,b>	
420	R63 046 232	Solenoid valve	FDF2A77	1	1	1	1	1	1	P631312X01	<SV1a>	
421	R61 097 232	Solenoid valve	FDF6A58	3	3	3	3	3	3	P631340X01	<SV2,12,13>	
422	R61 099 232	Solenoid valve	FDF11A27	1	1	1	1	1	1	P631341X01	<SV16>	
423	R61 055 243	Solenoid valve coil	FQ-A0122G-001574-RK	5	5	5	5	5	5	P472116X01	<SV1a,2,12,13,16>	
424	R61 107 401	Linear expansion valve	PAM-BB0YGMD-2	4	4	4	4	4	4	KR50C486H01	<LEV2a,2b,2d,4>	
425	R61 142 401	Linear expansion valve coil	PAM-MD12MD-17	1	1	1	1	1	1	P472109X01	<LEV2a>	
426	R61 143 401	Linear expansion valve coil	PAM-MD12MD-18	1	1	1	1	1	1	P472110X01	<LEV2b>	
427	R61 146 401	Linear expansion valve coil	PAM-MD12MD-25	1	1	1	1	1	1	KR50C487H01	<LEV2d>	
428	R61 170 401	Linear expansion valve coil	PAM-MD12MD-30	1	1	1	1	1	1	KR50G080H01	<LEV4>	
429	R61 056 208	Pressure switch	ACB-1UB28W	1	1	1	1	1	1	P426320X02	<63H1>	
430	R61 167 288	Pressure sensor	NSK-BH042D-500	1	1	1	1	1	1	KJ00S507G03	<63HS> *	
431	R61 168 288	Pressure sensor	NSK-BH017D-505	1	1	1	1	1	1	KJ00S507G04	<63LS> *	
432	R61 280 200	Thermistor	PXM-41E-M105-01Y	5	5	5	5	5	5	P418144X01	<TH3,5,6,7,15>	
433	R61 294 200	Thermistor	PX2M-56D-M2	1	1	1	1	1	1	P418110X01	<TH4>	
434	R63 852 860	Rubber mount		4	4	4	4	4	4	W897574H01	For compressor	
435	R61 009 306	Bolt	M6	4	4	4	4	4	4	KJ12F711H05		
436	R61 001 310	Sensor holder		1	1	1	1	1	1	KB25B471H04		
437	R61 027 155	Attachment (HH)		2	2	2	2	2	2	KJ00F713G04		
438	R61 001 132	Attachment		1		1		1		KB02K008H01		
439	R61 002 132	Attachment	BS		1		1		1	KB02K008H02		
440	R61 005 609	Attachment Saddle		1		1		1		KL00L214G03		
441	R61 006 609	Attachment Saddle	BS		1		1		1	KL00L214G04		
442	R61 003 456	Saddle		1		1		1		KJ02K540H01		
443	R61 004 456	Saddle	BS		1		1		1	KJ02K540H02		
444	R11 934 905	Packing		2	2	2	2	2	2	W483653G03		
445	R61 010 087	Screw upset	M5 x 12	3	3	3	3	3	3	S516322H01		



PURY-EM350,EM400YXM-A(-BS)  
PURY-EM450,EM500YXM-A(-BS)

FUNCTIONAL PARTS (2)

No.	Part No.	Part Name	Spec.	PURY-EM350YXM-A	PURY-EM400YXM-A	PURY-EM450YXM-A	PURY-EM500YXM-A	Dwg. No.	Notes for the models	Revision info.
401	R69 255 478	Scroll compressor	HVK85FC-YERC					EP10255B01		
402	R69 256 478	Scroll compressor	HVK97FC-YERC	1	1			EP10256B01		
403	R61 N82 480	Heat exchanger SP kit	L	1	1			KJ00S493G04	*	
404	R61 N83 480	Heat exchanger SP kit	R	1	1			KJ00S494G04	*	
405	R61 N87 480	Heat exchanger SP kit	B	1	1			KJ00S907G02	*	
406	R61 227 484	Accumulator assy SP kit	BS	1	1			KJ00S504G03	*	
407	R61 076 487	Oil separator assy		1	1			KB00C9SNG01		
408	R61 035 410	Ball valve	FQ-115-DN25	2	2			P636422X01	<BV1,2>	
409	R61 023 454	Strainer	28.6D-25.4D	1	1			KR48C459H01	<ST1>	
410	R61 007 413	Check joint L	TCJ-2GME-5	2	2			KR50C388H01	<CJ1,2>	
411	R61 101 418	Check valve	YCV15-014	1	1			P639220X01	<CV>	
412	R61 043 425	Capillary tube assy						KJ00S505G09	<CP1> *	
413	R61 044 425	Capillary tube assy						KJ00S505G10	<CP1> *	
414	R61 045 425	Capillary tube assy		1	1			KJ00S505G11	<CP1> *	
415	R61 157 418	CV Assy SP kit		1	1			KJ00U014G02	<CV2a,3a,5a,6a>*	
416	R61 001 416	Press. Regulat. Valve		1	1			P639226X01	<PRV1>	
417	R61 037 403	Four way valve A SP kit		1	1			KJ00S506G05	<21S4a> *	
418	R61 038 403	Four way valve B SP kit		1	1			KJ00S506G06	<21S4b> *	
419	R61 016 242	Four way valve coil	SQ-A2122G-005025-RK	2	2			P472115X02	<21S4a,b>	
420	R63 046 232	Solenoid valve	FDF2A77	1	1			P631312X01	<SV1a>	
421	R61 097 232	Solenoid valve	FDF6A58	3	3			P631340X01	<SV2,12,13>	
422	R61 099 232	Solenoid valve	FDF11A27	1	1			P631341X01	<SV16>	
423	R61 055 243	Solenoid valve coil	FQ-A0122G-001574-RK	5	5			P472116X01	<SV1a,2,12,13,16>	
424	R61 107 401	Linear expansion valve	PAM-BB0YGMD-2	4	4			KR50C486H01	<LEV2a,2b,2d,4>	
425	R61 142 401	Linear expansion valve coil	PAM-MD12MD-17	1	1			P472109X01	<LEV2a>	
426	R61 143 401	Linear expansion valve coil	PAM-MD12MD-18	1	1			P472110X01	<LEV2b>	
427	R61 146 401	Linear expansion valve coil	PAM-MD12MD-25	1	1			KR50C487H01	<LEV2d>	
428	R61 170 401	Linear expansion valve coil	PAM-MD12MD-30	1	1			KR50G080H01	<LEV4>	
429	R61 056 208	Pressure switch	ACB-1UB28W	1	1			P426320X02	<63H1>	
430	R61 167 288	Pressure sensor	NSK-BH042D-500	1	1			KJ00S507G03	<63HS> *	
431	R61 168 288	Pressure sensor	NSK-BH017D-505	1	1			KJ00S507G04	<63LS> *	
432	R61 280 200	Thermistor	PXM-41E-M105-01Y	5	5			P418144X01	<TH3,5,6,7,15>	
433	R61 294 200	Thermistor	PX2M-56D-M2	1	1			P418110X01	<TH4>	
434	R63 852 860	Rubber mount		4	4			W897574H01	For compressor	
435	R61 009 306	Bolt	M6	4	4			KJ12F711H05		
436	R61 001 310	Sensor holder		1	1			KB25B471H04		
437	R61 027 155	Attachment (HH)		2	2			KJ00F713G04		
438	R61 001 132	Attachment		1				KB02K008H01		
439	R61 002 132	Attachment	BS		1			KB02K008H02		
440	R61 005 609	Attachment Saddle		1				KL00L214G03		
441	R61 006 609	Attachment Saddle	BS		1			KL00L214G04		
442	R61 003 456	Saddle		1				KJ02K540H01		
443	R61 004 456	Saddle	BS		1			KJ02K540H02		
444	R11 934 905	Packing		2	2			W483653G03		
445	R61 010 087	Screw upset	M5 x 12	3	3			S516322H01		



PURY-EM200YXM-A(-BS)  
PURY-EM250YXM-A(-BS)  
PURY-EM300YXM-A(-BS)

### CONTROL BOX PARTS (1)

