

October 2012
No. OCB536

PARTS CATALOG

[Model names]

PAC-IF051B-E
PAC-IF052B-E
PAC-SIF051B-E

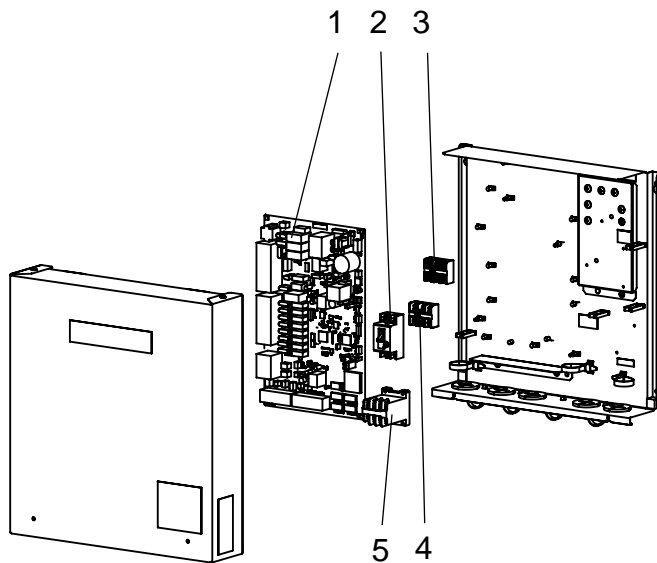
Note:

- RoHS compliant products have <G> mark on the spec name plate.

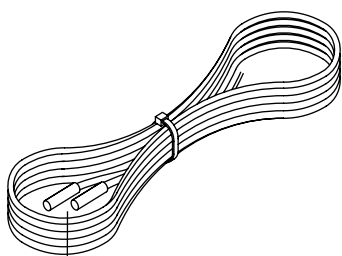
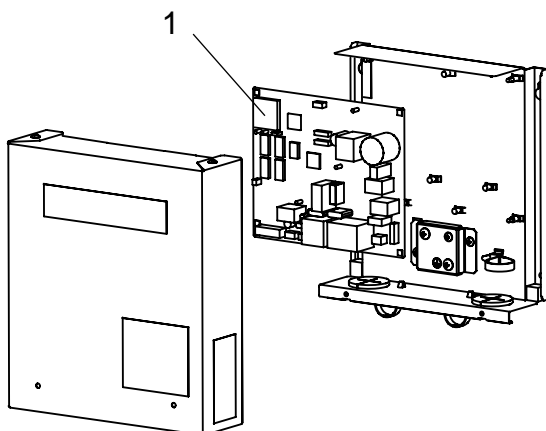
CONTENTS

1. RoHS PARTS LIST 2
2. OPTIONAL PARTS Back cover

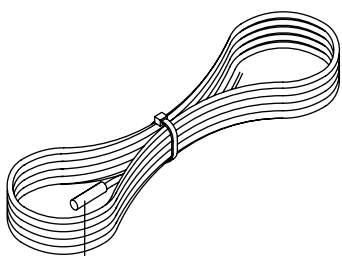
PAC-IF051B-E
PAC-IF052B-E



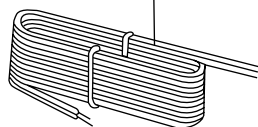
PAC-SIF051B-E



6



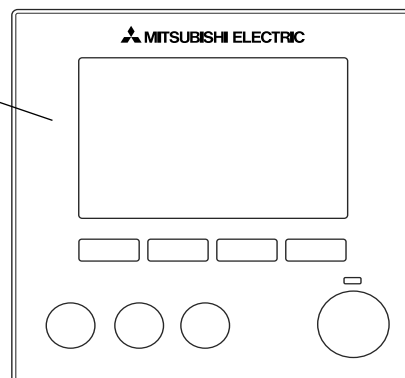
7



2

9

8



RoHS PARTS LIST

No	RoHS	Part No.	Part Name	Specification	Q'ty/set			Remarks	Wiring diagram symbol
					PAC-IF051B-E	PAC-IF052B-E	PAC-SIF051B-E		
1	G	S70 C30 315	ATW CONTROLLER		1	1			FTC4
	G	S70 C40 315	ATW CONTROLLER				1		FTC4(slave)
2	G	S70 C20 239	BREAKER			1			
3	G	S70 C10 716	TERMINAL BED	3P	1	1		(#250LNE)	
4	G	S70 E08 716	TERMINAL BED	3P	1	1		(S1/S2/S3)	
5	G	S70 C39 708	CONTACTOR			1			
6	G	S70 C90 202	THERMISTOR (Flow water temp & return water temp)		1	1	1		THW1/2
7	G	S70 C11 202	THERMISTOR (Liquid refrigerant temp)		1		1		TH2
8	G	S70 030 305	REMOCON CABLE	10 m	1	1	1	FOR REMOTE CONTROLLER	
9	G	S70 C90 200	REMOCON ASSY		1	1			

2-1. WIRELESS REMOTE CONTROLLER

Part No.	PAR-WT50R-E
----------	-------------

2-2. WIRELESS RECEIVER

Part No.	PAR-WR51R-E
----------	-------------

2-3. REMOTE SENSOR

Part No.	PAC-SE41TS-E
----------	--------------

MITSUBISHI ELECTRIC CORPORATION

HEAD OFFICE : TOKYO BLDG., 2-7-3, MARUNOUCHI, CHIYODA-KU, TOKYO 100-8310, JAPAN