

# PARTS CATALOG R410A

[Model name]	[Service Ref.]
EHSC-VM2B	<b>EHSC-VM2B.UK</b>
EHSC-VM6B	<b>EHSC-VM6B.UK</b>
EHSC-YM9B	<b>EHSC-YM9B.UK</b>
EHSC-TM9B	<b>EHSC-TM9B.UK</b>
EHSC-VM6EB	<b>EHSC-VM6EB.UK</b>
EHSC-YM9EB	<b>EHSC-YM9EB.UK</b>
EHPX-VM2B	<b>EHPX-VM2B.UK</b>
EHPX-VM6B	<b>EHPX-VM6B.UK</b>
EHPX-YM9B	<b>EHPX-YM9B.UK</b>
ERSC-VM2B	<b>ERSC-VM2B.UK</b>

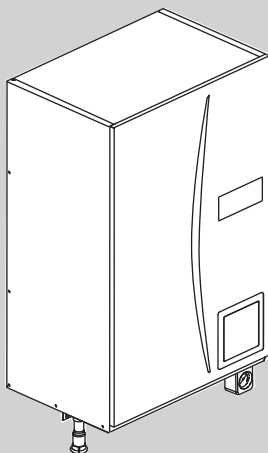
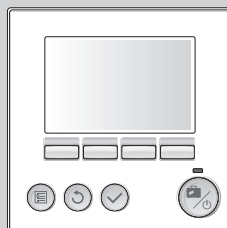
**Revision:**

- Changed WATER PUMP for ERSC-VM2B (on page 9) in REVISED EDITION-B.

- Please void OCB532 REVISED EDITION-A.

**Note:**

- RoHS compliant products have <G> mark on the spec name plate.

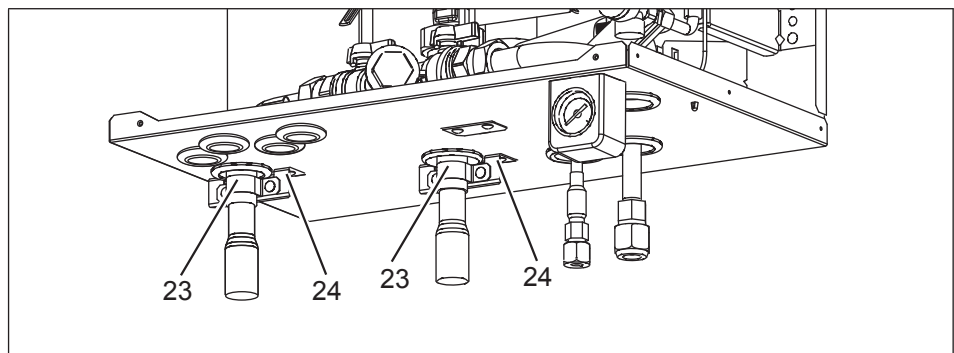
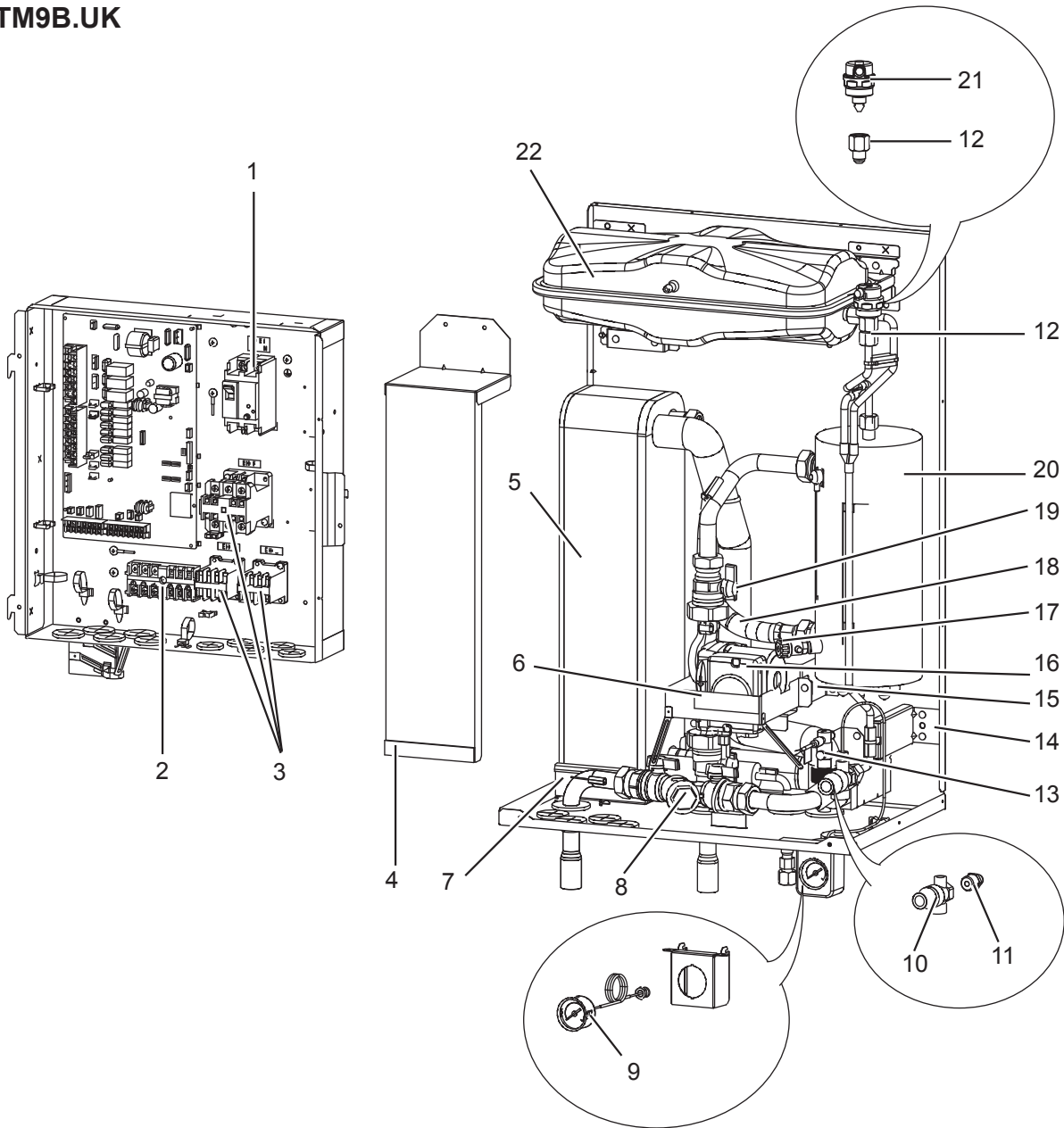

**HYDROBOX**

**MAIN CONTROLLER**

## CONTENTS

1. RoHS PARTS LIST..... 2
2. OPTIONAL PARTS..... 15

**SERVICE MANUAL (OCH532)**

EHSC-VM2B.UK  
 EHSC-VM6B.UK  
 EHSC-YM9B.UK  
 EHSC-TM9B.UK



# RoHS PARTS LIST

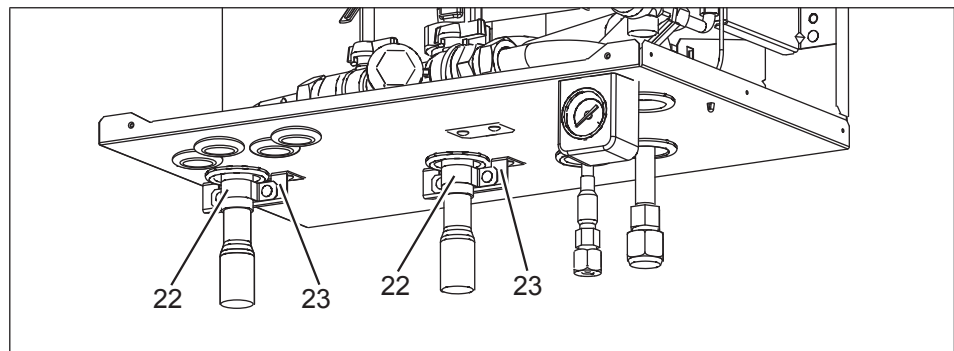
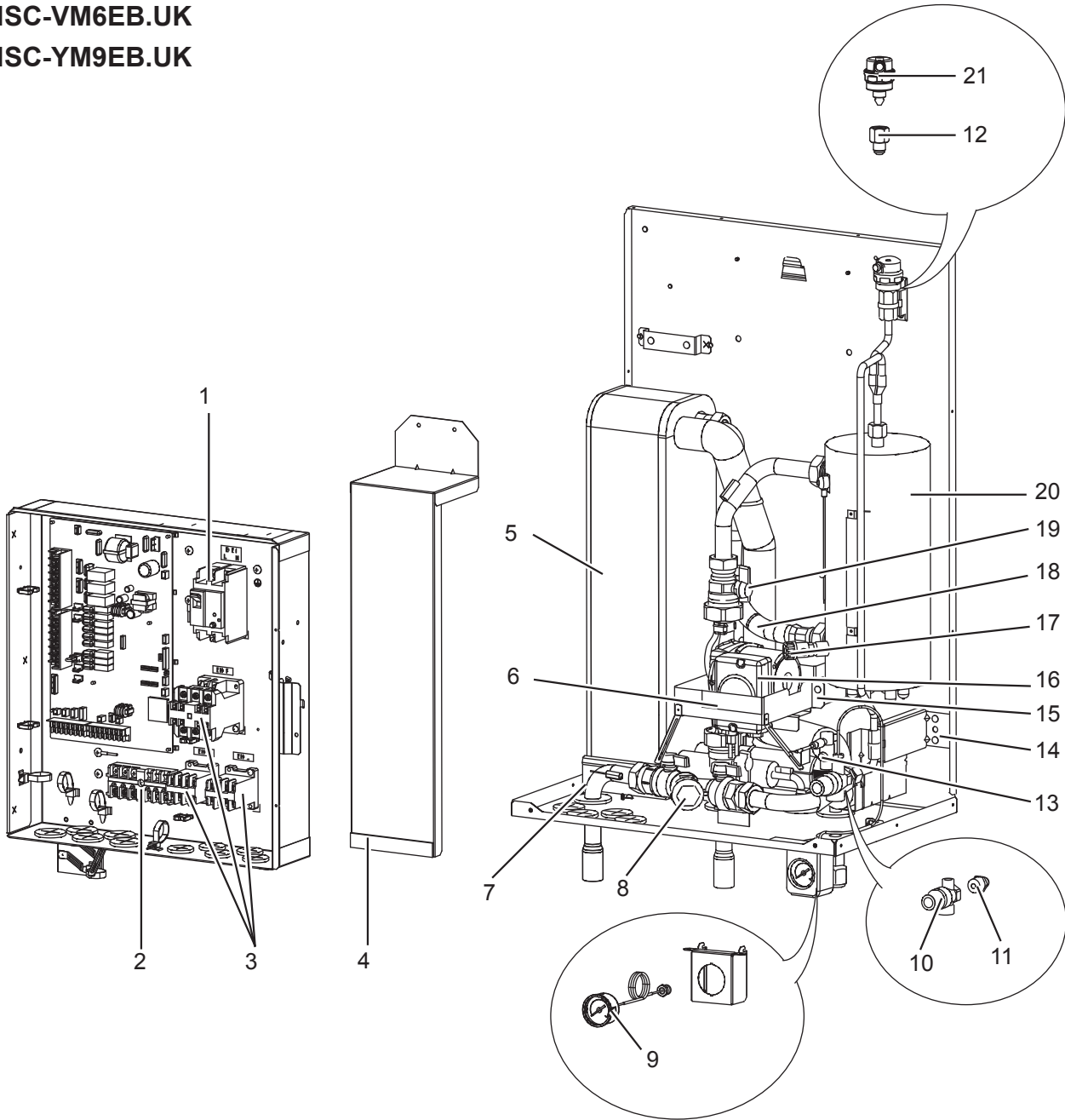
No.	RoHS	Part No.	Parts name	Specification	Q'ty/unit				Remarks	Wiring diagram symbol	Required regular replacement (*: Required regular inspection)
					EHSC-VM2B.UK	EHSC-VM6B.UK	EHSC-VM9B.UK	EHSC-TM9B.UK			
1	G	S70 C20 239	EARTH LEAKAGE BREAKER	1 $\phi$ 20A	1					ECB1	
	G	S70 C30 239	EARTH LEAKAGE BREAKER	1 $\phi$ 40A		1				ECB1	
	G	S70 C40 239	EARTH LEAKAGE BREAKER	3 $\phi$ 20A			1			ECB1	
	G	S70 C50 239	EARTH LEAKAGE BREAKER	3 $\phi$ 30A				1		ECB1	
2	G	S70 C20 515	TERMINAL BED	6P	1	1	1	1	(#250LNE+S123)		
3	G	S70 C29 708	CONTACTOR	45A		1		1		BHCP	
	G	S70 C39 708	CONTACTOR	30A	2	2	3	2		BHC1,BHC2, BHCP	
4	G	—	WATER COIL COVER		1	1	1	1	BK00J325G04		
5	G	S70 C40 408	PLATE HEAT EXCHANGER		1	1	1	1			
6	G	—	PUMP SUPPORT TOP		1	1	1	1	BK00F360G01		
7	G	—	WATER COIL BASE		1	1	1	1	BK02J321G04		
8	G	S70 C10 450	STRAINER		1	1	1	1			
9	G	S70 C20 205	MANOMETER		1	1	1	1			6 years
10	G	S70 C18 404	PRESSURE RELIEF VALVE 3bar		1	1	1	1			6 years
11	G	S70 C60 096	FLARE JOINT	3/8F - R1/2	1	1	1	1			
12	G	S70 C50 096	FLARE JOINT	3/8F - G3/8	2	2	2	2			
13	G	S70 C33 266	FLOW SWITCH		1	1	1	1			
14	G	—	BACK PANEL PIPE SUPPORT		1	1	1	1	BK02L594G01		
15	G	—	PUMP SUPPORT UNDER		1	1	1	1	BK02A946G01		
16	G	S70 C04 355	WATER PUMP		1	1	1	1		MP1	20,000 hrs (3 years)(*)
17	G	S70 C30 357	DRAIN COCK (BOOSTER HEATER)		1	1	1	1	FOR PRIMARY CIRCUIT		6 years
18	G	S70 C30 601	FLEXIBLE HOSE		1	1	1	1			6 years
19	G	S70 C10 356	PUMP VALVE		2	2	2	2			
20	G	S70 C75 441	BOOSTER HEATER	1 $\phi$ 230V 2 kW	1					BH1	
	G	S70 C85 441	BOOSTER HEATER	1 $\phi$ 230V 6 kW		1				BH1, BH2	
	G	S70 C95 441	BOOSTER HEATER	3 $\phi$ 400V 9 kW			1			BH1, BH2	
	G	S70 C96 441	BOOSTER HEATER	3 $\phi$ 230V 9 kW				1		BH1, BH2	
21	G	S70 C17 150	AIR VENT (AUTOMATIC)		1	1	1	1			6 years
22	G	S70 C16 402	EXPANSION VESSEL	10L	1	1	1	1			
23	G	—	SADDLE BAND		2	2	2	2	BK02F262G01		
24	G	—	PIPE SUPPORT		2	2	2	2	BK02L608G01		
(25)	G	—	HEATER STAY		1	1	1	1	BK00F286G01		
(26)	G	S70 C11 460	O-RING		1	1	1	1	FOR STRAINER		
	G	S70 C22 460	O-RING		1	1	1	1	FOR FLOW SWITCH		

Parts number that is circled is not shown in the figure.

Do not reuse the O-ring for flow switch and strainer that was once removed, but be sure to replace with a new one.

# RoHS PARTS LIST

EHSC-VM6EB.UK  
EHSC-YM9EB.UK



# RoHS PARTS LIST

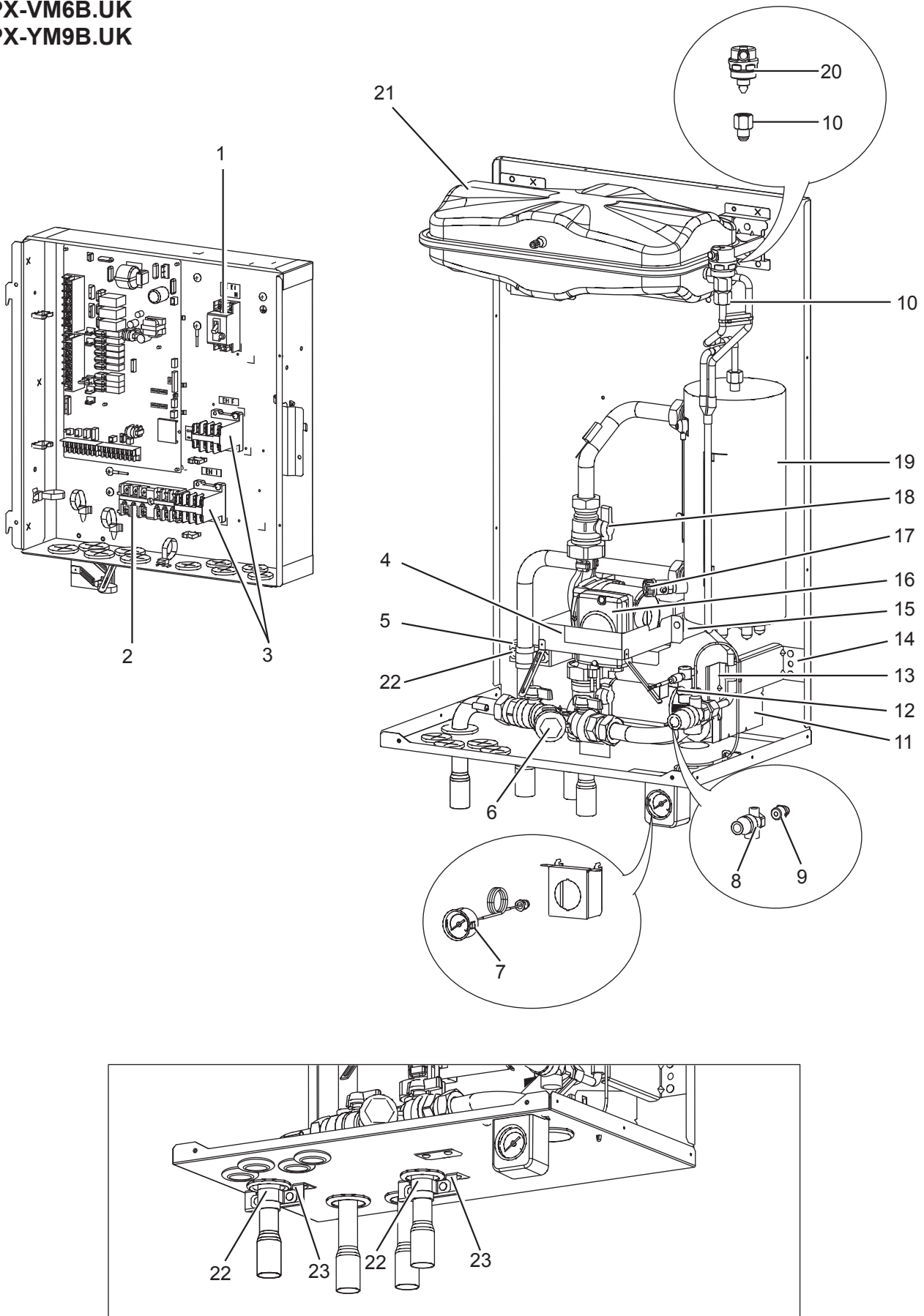
No.	ROHS	Part No.	Parts name	Specification	Q'ty/unit		Remarks	Wiring diagram symbol	Required regular replacement (*: Required regular inspection)
					EHSC-VM6EB.UK	EHSC-YM9EB.UK			
1	G	S70 C30 239	EARTH LEAKAGE BREAKER	1 $\phi$ 40A	1			ECB1	
	G	S70 C40 239	EARTH LEAKAGE BREAKER	3 $\phi$ 20A		1		ECB1	
2	G	S70 C20 515	TERMINAL BED	6P	1	1	(#250LNE+S123)		
3	G	S70 C29 708	CONTACTOR	45A	1			BHCP	
	G	S70 C39 708	CONTACTOR	30A	2	3		BHC1,BHC2, BHCP	
4	G	—	WATER COIL COVER		1	1	BK00J325G04		
5	G	S70 C40 408	PLATE HEAT EXCHANGER		1	1			
6	G	—	PUMP SUPPORT TOP		1	1	BK00F360G01		
7	G	—	WATER COIL BASE		1	1	BK02J321G04		
8	G	S70 C10 450	STRAINER		1	1			
9	G	S70 C20 205	MANOMETER		1	1			6 years
10	G	S70 C18 404	PRESSURE RELIEF VALVE 3bar		1	1			6 years
11	G	S70 C60 096	FLARE JOINT	3/8F - R1/2	1	1			
12	G	S70 C50 096	FLARE JOINT	3/8F - G3/8	1	1			
13	G	S70 C33 266	FLOW SWITCH		1	1			
14	G	—	BACK PANEL PIPE SUPPORT		1	1	BK02L594G01		
15	G	—	PUMP SUPPORT UNDER		1	1	BK02A946G01		
16	G	S70 C04 355	WATER PUMP		1	1		MP1	20,000 hrs (3 years)(*)
17	G	S70 C30 357	DRAIN COCK (BOOSTER HEATER)		1	1	FOR PRIMARY CIRCUIT		6 years
18	G	S70 C30 601	FLEXIBLE HOSE		1	1			6 years
19	G	S70 C10 356	PUMP VALVE		2	2			
20	G	S70 C85 441	BOOSTER HEATER	1 $\phi$ 230V 6 kW	1			BH1, BH2	
	G	S70 C95 441	BOOSTER HEATER	3 $\phi$ 400V 9 kW		1		BH1, BH2	
21	G	S70 C17 150	AIR VENT (AUTOMATIC)		1	1			6 years
22	G	—	SADDLE BAND		2	2	BK02F262G01		
23	G	—	PIPE SUPPORT		2	2	BK02L608G01		
(24)	G	—	HEATER STAY		1	1	BK00F286G01		
(25)	G	S70 C11 460	O-RING		1	1	FOR STRAINER		
	G	S70 C22 460	O-RING		1	1	FOR FLOW SWITCH		

Parts number that is circled is not shown in the figure.

Do not reuse the O-ring for flow switch and strainer that was once removed, but be sure to replace with a new one.

# RoHS PARTS LIST

EHPX-VM2B.UK  
EHPX-VM6B.UK  
EHPX-YM9B.UK



# RoHS PARTS LIST

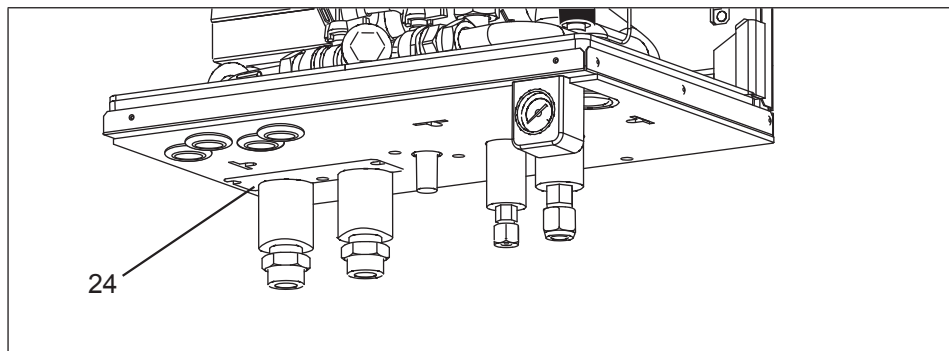
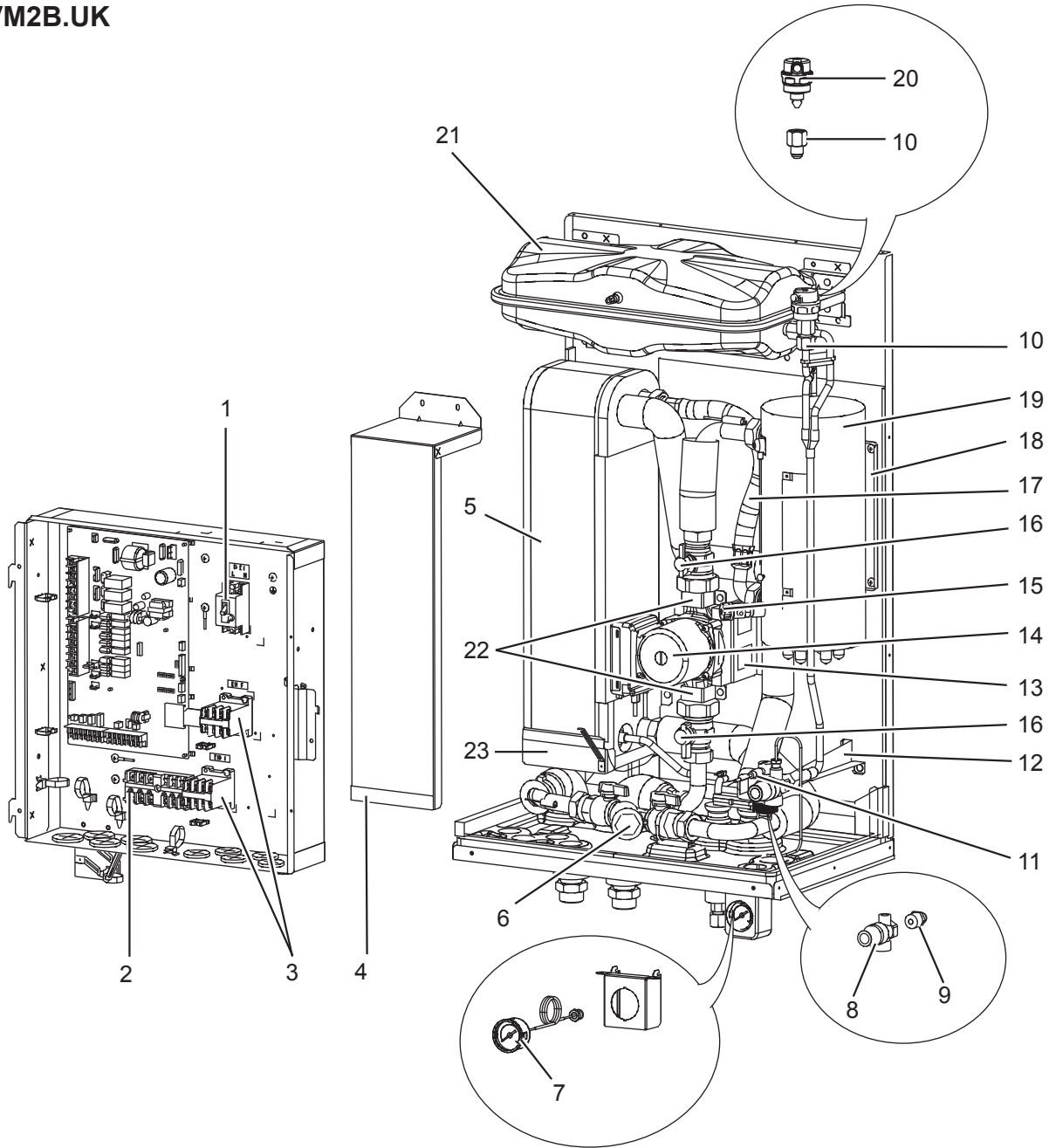
No.	RoHS	Part No.	Parts name	Specification	Q'ty/unit			Remarks	Wiring diagram symbol	Required regular replacement (*: Required regular inspection)
					EHPX-VM2B.UK	EHPX-VM6B.UK	EHPX-VM9B.UK			
1	G	S70 C20 239	EARTH LEAKAGE BREAKER	1 $\phi$ 20A	1			ECB1		
	G	S70 C30 239	EARTH LEAKAGE BREAKER	1 $\phi$ 40A		1		ECB1		
	G	S70 C40 239	EARTH LEAKAGE BREAKER	3 $\phi$ 20A			1	ECB1		
2	G	S70 C20 515	TERMINAL BED	6P	1	1	1	(#250LNE+S123)		
3	G	S70 C39 708	CONTACTOR	30A	2	2	3		BHC1,BHC2, BHCP	
	G	S70 C29 708	CONTACTOR	45A		1			BHCP	
4	G	—	PUMP SUPPORT TOP		1	1	1	BK00F360G01		
5	G	—	BACK PANEL PIPE SUPPORT (WITHOUT PLATE HEAT EXCHANGER)		1	1	1	BK02L593G01		
6	G	S70 C10 450	STRAINER		1	1	1			
7	G	S70 C20 205	MANOMETER		1	1	1		6 years	
8	G	S70 C18 404	PRESSURE RELIEF VALVE 3bar		1	1	1		6 years	
9	G	S70 C60 096	FLARE JOINT	3/8F - R1/2	1	1	1			
10	G	S70 C50 096	FLARE JOINT	3/8F - G3/8	2	2	2			
11	G	—	BACK PANEL CORNER SUPPORT		1	1	1	BK02L489G01		
12	G	S70 C33 266	FLOW SWITCH		1	1	1			
13	G	—	BACK PANEL CENTER SUPPORT		1	1	1	BK02J442G01		
14	G	—	BACK PANEL PIPE SUPPORT		1	1	1	BK02L594G01		
15	G	—	PUMP SUPPORT UNDER		1	1	1	BK02A946G01		
16	G	S70 C04 355	WATER PUMP		1	1	1		MP1	20,000 hrs (3 years)(*)
17	G	S70 C30 357	DRAIN COCK (BOOSTER HEATER)		1	1	1	FOR PRIMARY CIRCUIT		6 years
18	G	S70 C10 356	PUMP VALVE		2	2	2			
19	G	S70 C75 441	BOOSTER HEATER	1 $\phi$ 230V 2 kW	1				BH1	
	G	S70 C85 441	BOOSTER HEATER	1 $\phi$ 230V 6 kW		1			BH1, BH2	
	G	S70 C95 441	BOOSTER HEATER	3 $\phi$ 400V 9 kW			1		BH1, BH2	
20	G	S70 C17 150	AIR VENT (AUTOMATIC)		1	1	1		6 years	
21	G	S70 C16 402	EXPANSION VESSEL	10L	1	1	1			
22	G	—	SADDLE BAND		3	3	3	BK02F262G01		
23	G	—	PIPE SUPPORT		2	2	2	BK02L608G01		
(24)	G	—	HEATER STAY		1	1	1	BK00F286G01		
(25)	G	S70 C11 460	O-RING		1	1	1	FOR STRAINER		
	G	S70 C22 460	O-RING		1	1	1	FOR FLOW SWITCH		

Parts number that is circled is not shown in the figure.

Do not reuse the O-ring for flow switch and strainer that was once removed, but be sure to replace with a new one.

# RoHS PARTS LIST

ERSC-VM2B.UK





# RoHS PARTS LIST

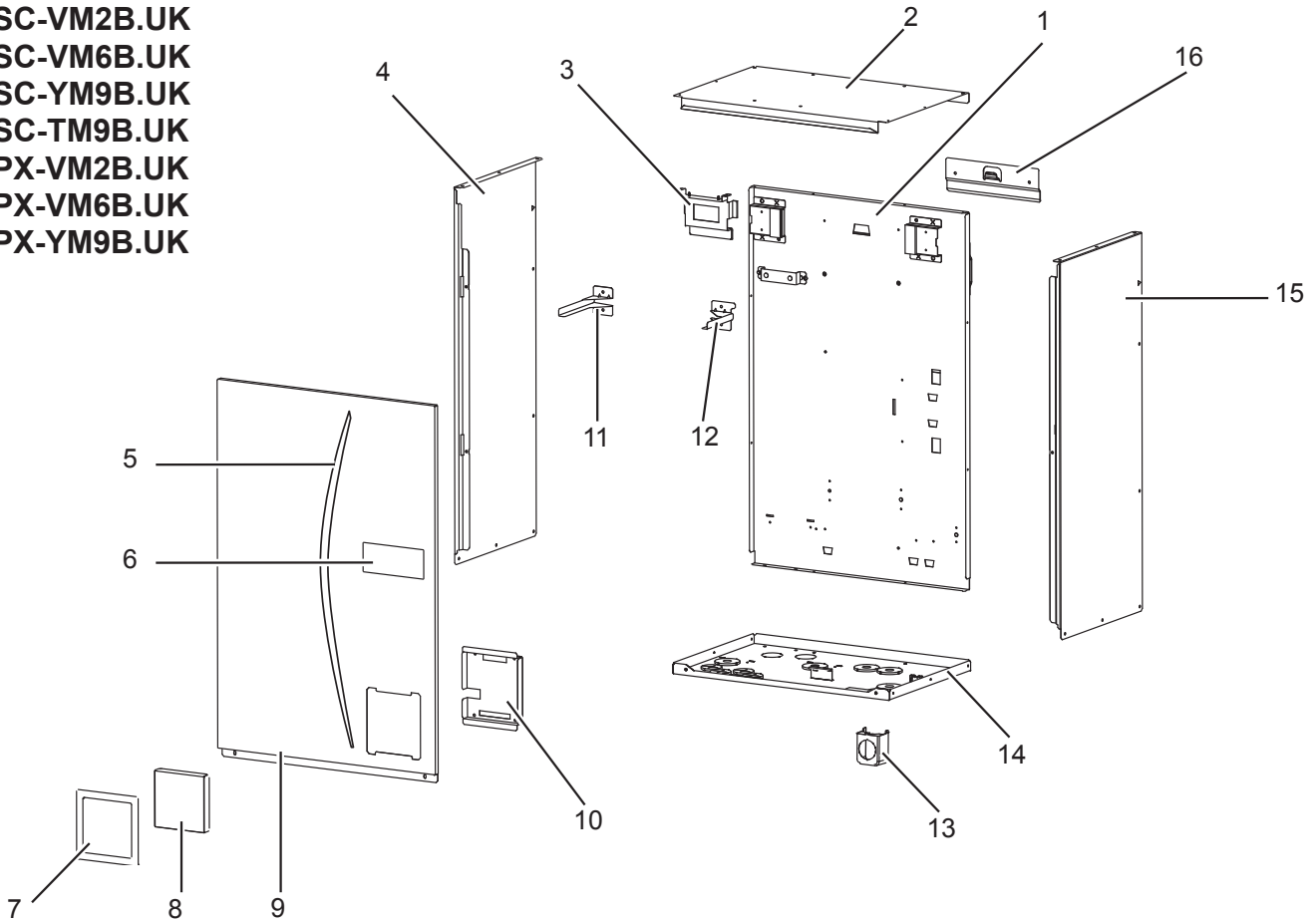
No.	RoHS	Part No.	Parts name	Specification	Q'ty/unit	Remarks	Wiring diagram symbol	Required regular replacement (*: Required regular inspection)
					ERSC-VM2B.UK			
1	G	S70 C20 239	EARTH LEAKAGE BREAKER	1 $\phi$ 20A	1		ECB1	
2	G	S70 C20 515	TERMINAL BED	6P	1	(#250LNE+S123)		
3	G	S70 C39 708	CONTACTOR	30A	2		BHCP, BHC1	
4		—	WATER COIL COVER		1	BK00L833G01		
5	G	S70 C50 408	PLATE HEAT EXCHANGER		1			
6	G	S70 C10 450	STRAINER		1			
7	G	S70 C20 205	MANOMETER		1			6 years
8	G	S70 C18 404	PRESSURE RELIEF VALVE 3bar		1			6 years
9	G	S70 C60 096	FLARE JOINT	3/8F - R1/2	1			
10	G	S70 C50 096	FLARE JOINT	3/8F - G3/8	2			
11	G	S70 C33 266	FLOW SWITCH		1			
12	G	—	P.R.V. SUPPORT		1	BK02L838G01		
13	G	—	PUMP SUPPORT UNDER		1	BK00L837G01		
14	G	S70 C14 355	WATER PUMP		1		MP1	20,000 hrs (3 years)(*)
15	G	S70 C30 357	DRAIN COCK (BOOSTER HEATER)		1	FOR PRIMARY CIRCUIT		6 years
16	G	S70 C10 356	PUMP VALVE		2			
17	G	S70 C30 601	FLEXIBLE HOSE		1			6 years
18	G	—	B.H STAY HOLDER		1	BK02J706G01		
19	G	S70 C75 441	BOOSTER HEATER	1 $\phi$ 230V 2 kW	1		BH1	
20	G	S70 C17 150	AIR VENT (AUTOMATIC)		1			6 years
21	G	S70 C16 402	EXPANSION VESSEL	10L	1			
22	G	—	PUMP BRACKET		2	BK00F354G01		
23	G	—	WATER COIL BASE		1	BK00F376G01		
24	G	—	COVER PLATE		1	BK00F352G01		
(25)	G	—	HEATER STAY		1	BK00F286G01		
(26)	G	S70 C11 460	O-RING		1	FOR STRAINER		
	G	S70 C22 460	O-RING		1	FOR FLOW SWITCH		

Parts number that is circled is not shown in the figure.

Do not reuse the O-ring for flow switch and strainer that was once removed, but be sure to replace with a new one.

# RoHS PARTS LIST

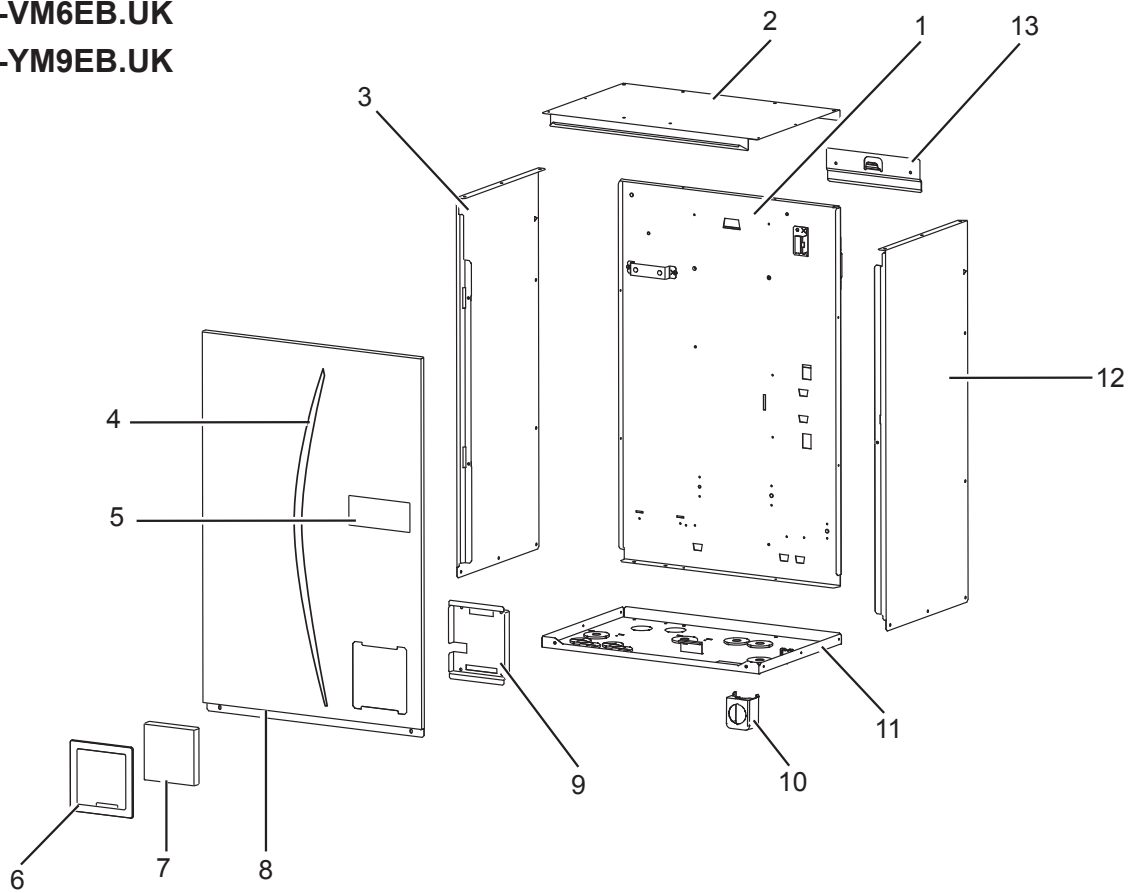
EHSC-VM2B.UK  
 EHSC-VM6B.UK  
 EHSC-YM9B.UK  
 EHSC-TM9B.UK  
 EHPX-VM2B.UK  
 EHPX-VM6B.UK  
 EHPX-YM9B.UK



No.	RoHS	Part No.	Parts name	Specification	Q'ty /unit						Remarks	
					EHSC-VM2B.UK	EHSC-VM6B.UK	EHSC-YM9B.UK	EHSC-TM9B.UK	EHPX-VM2B.UK	EHPX-VM6B.UK		EHPX-YM9B.UK
1	G	S70 C15 661	BACK PANEL		1	1	1	1				
	G	S70 C16 661	BACK PANEL						1	1	1	
2	G	S70 C15 641	TOP PANEL ASSY		1	1	1	1	1	1	1	
3	G	—	EXPANSION VESSEL STAY		1	1	1	1	1	1	1	BK00L285G04
4	G	S70 C18 662	SIDE PANEL L		1	1	1	1	1	1	1	
5	G	S70 C30 699	FRONT PANEL GRAPHIC (LEAF LABEL)		1	1	1	1	1	1	1	
6	G	S70 C20 699	BRAND LABEL		1	1	1	1	1	1	1	
7	G	S70 C11 710	REMOCON HOLDER		1	1	1	1	1	1	1	
8	G	S70 C80 200	REMOCON ASSY		1	1	1	1	1	1	1	
9	G	S70 C19 668	FRONT PANEL ASSY		1	1	1	1	1	1	1	
10	G	—	REMOCON SUPPORT		1	1	1	1	1	1	1	BK00L347G04
11	G	—	EXPANSION VESSEL HOLDER(L)		1	1	1	1	1	1	1	BK02L229G08
12	G	—	EXPANSION VESSEL HOLDER(R)		1	1	1	1	1	1	1	BK02L229G07
13	G	S70 C40 206	MANOMETER COVER		1	1	1	1	1	1	1	
14	G	S70 C14 686	BASE ASSY		1	1	1	1				
	G	S70 C15 686	BASE ASSY						1	1	1	
15	G	S70 C06 662	SIDE PANEL R		1	1	1	1	1	1	1	
16	G	—	HOOK		1	1	1	1	1	1	1	BK02L490G01

# RoHS PARTS LIST

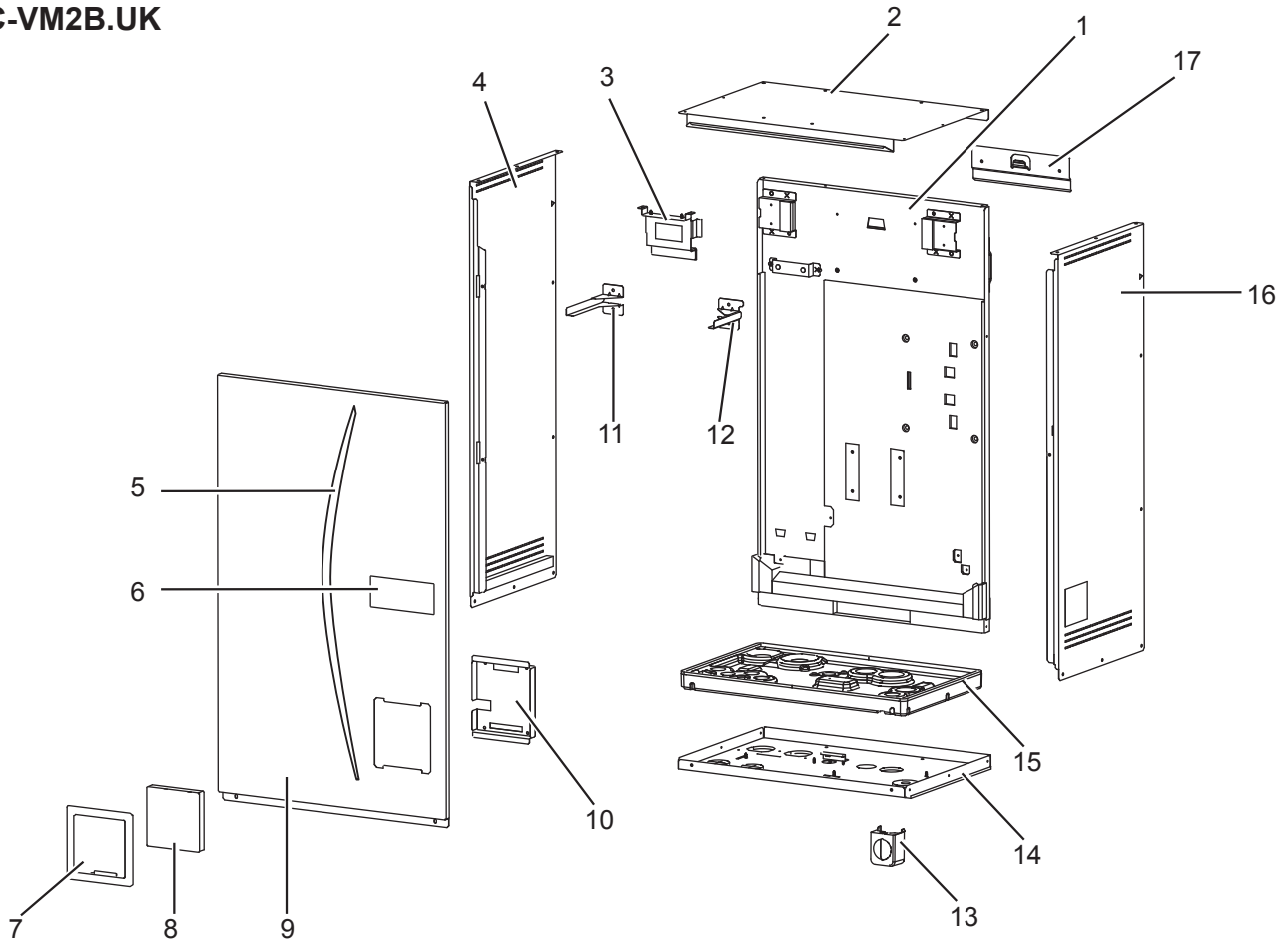
EHSC-VM6EB.UK  
EHSC-YM9EB.UK



No.	RoHS	Part No.	Parts name	Specification	Q'ty /unit		Remarks
					EHSC-VM6EB.UK	EHSC-YM9EB.UK	
1	G	S70 C17 661	BACK PANEL		1	1	
2	G	S70 C15 641	TOP PANEL ASSY		1	1	
3	G	S70 C18 662	SIDE PANEL L		1	1	
4	G	S70 C30 699	FRONT PANEL GRAPHIC (LEAF LABEL)		1	1	
5	G	S70 C20 699	BRAND LABEL		1	1	
6	G	S70 C11 710	REMOCON HOLDER		1	1	
7	G	S70 C80 200	REMOCON ASSY		1	1	
8	G	S70 C19 668	FRONT PANEL ASSY		1	1	
9	G	—	REMOCON SUPPORT		1	1	BK00L347G04
10	G	S70 C40 206	MANOMETER COVER		1	1	
11	G	S70 C14 686	BASE ASSY		1	1	
12	G	S70 C06 662	SIDE PANEL R		1	1	
13	G	—	HOOK		1	1	BK02L490G01

# RoHS PARTS LIST

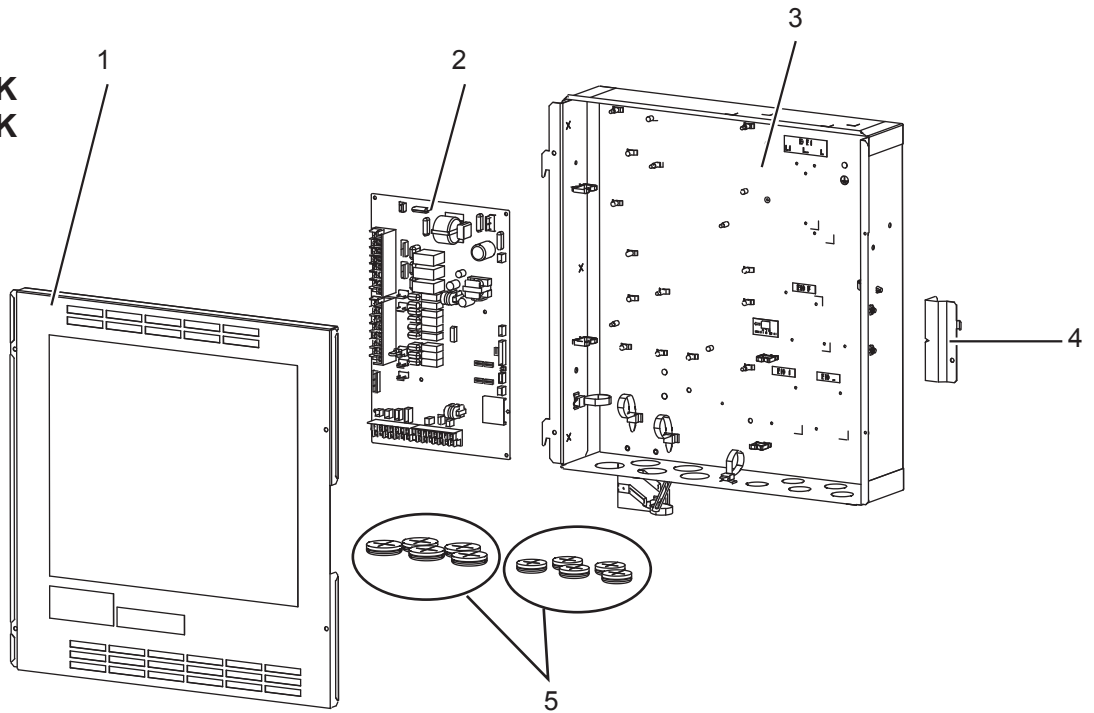
ERSC-VM2B.UK



No.	RoHS	Part No.	Parts name	Specification	Q'ty /unit	
					ERSC-VM2B.UK	Remarks
1	G	S70 C18 661	BACK PANEL		1	
2	G	S70 C15 641	TOP PANEL ASSY		1	
3	G	—	EXPANSION VESSEL STAY		1	BK00L285G04
4	G	S70 C19 662	SIDE PANEL L		1	
5	G	S70 C30 699	FRONT PANEL GRAPHIC (LEAF LABEL)		1	
6	G	S70 C20 699	BRAND LABEL		1	
7	G	S70 C11 710	REMOCON HOLDER		1	
8	G	S70 C80 200	REMOCON ASSY		1	
9	G	S70 C20 668	FRONT PANEL ASSY		1	
10	G	—	REMOCON SUPPORT		1	BK00L347G04
11	G	—	EXPANSION VESSEL HOLDER(L)		1	BK02L229G08
12	G	—	EXPANSION VESSEL HOLDER(R)		1	BK02L229G07
13	G	S70 C40 206	MANOMETER COVER		1	
14	G	S70 C16 686	BASE ASSY		1	
15	G	S70 C10 529	DRAIN PAN ASSY		1	
16	G	S70 C07 662	SIDE PANEL R		1	
17	G	—	HOOK		1	BK02L490G01

# RoHS PARTS LIST

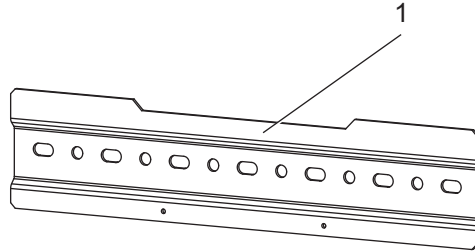
EHSC-VM2B.UK  
 EHSC-VM6B.UK  
 EHSC-YM9B.UK  
 EHSC-TM9B.UK  
 EHSC-VM6EB.UK  
 EHSC-YM9EB.UK  
 EHPX-VM2B.UK  
 EHPX-VM6B.UK  
 EHPX-YM9B.UK  
 ERSC-VM2B.UK



No.	RoHS	Part No.	Parts name	Specification	Q'ty /unit										Remarks	Wiring diagram symbol	
					EHSC-VM2B.UK	EHSC-VM6B.UK	EHSC-YM9B.UK	EHSC-TM9B.UK	EHSC-VM6EB.UK	EHSC-YM9EB.UK	EHPX-VM2B.UK	EHPX-VM6B.UK	EHPX-YM9B.UK	ERSC-VM2B.UK			
1	G	S70 H61 504	CONTROL BOX COVER		1												
	G	S70 H40 504	CONTROL BOX COVER			1											
	G	S70 H50 504	CONTROL BOX COVER				1										
	G	S70 H71 504	CONTROL BOX COVER					1									
	G	S70 H41 504	CONTROL BOX COVER						1								
	G	S70 H51 504	CONTROL BOX COVER							1							
	G	S70 H60 504	CONTROL BOX COVER								1						
	G	S70 H80 504	CONTROL BOX COVER									1					
	G	S70 H90 504	CONTROL BOX COVER										1				
	G	S70 H70 504	CONTROL BOX COVER											1			
2	G	S70 C20 315	ATW CONTROLLER		1	1	1	1	1	1	1	1	1	1			FTC4
3	G	—	CONTROL BOX		1						1			1	BK00A981G09		
	G	—	CONTROL BOX			1		1				1			BK00A981G07		
	G	—	CONTROL BOX				1		1				1		BK00A981G08		
	G	—	CONTROL BOX					1							BK00A981G10		
4	G	—	CONTROL BOX BRACKET		1	1	1	1	1	1	1	1	1	1	BK00L887G01		
5	G	S70 C11 306	BUSH		5	5	5	5	5	5	5	5	5	5	5	5	FOR CABLE
	G	S70 C21 306	BUSH		5	5	5	5	5	5	5	5	5	5	5	5	FOR CABLE

# RoHS PARTS LIST

EHSC-VM2B.UK  
 EHSC-VM6B.UK  
 EHSC-YM9B.UK  
 EHSC-TM9B.UK  
 EHSC-VM6EB.UK  
 EHSC-YM9EB.UK  
 EHPX-VM2B.UK  
 EHPX-VM6B.UK  
 EHPX-YM9B.UK  
 ERSC-VM2B.UK



No.	RoHS	Part No.	Parts name	Specification	Q'ty /unit								Remarks	Wiring diagram symbol	Required regular replacement		
					EHSC-VM2B.UK	EHSC-VM6B.UK	EHSC-YM9B.UK	EHSC-TM9B.UK	EHSC-VM6EB.UK	EHSC-YM9EB.UK	EHPX-VM2B.UK	EHPX-VM6B.UK				EHPX-YM9B.UK	ERSC-VM2B.UK
1	G	—	BACK PLATE		1	1	1	1	1	1	1	1	1	1	ACCESSORY, BK02J443G01		
②	G	S70 C80 202	THERMISTOR (FLOW WATER TEMP & RETURN WATER TEMP)		1	1	1	1	1	1	1	1	1		THW1/2		
	G	S70 C24 202	THERMISTOR (FLOW WATER TEMP & RETURN WATER TEMP)										1		THW1/2		
③	G	S70 C50 202	THERMISTOR (LIQUID REFRIGERANT TEMP)		1	1	1	1	1	1			1		TH2		
④	G	S70 C44 460	GASKET 1-1/2"	1-1/2"	2	2	2	2	2	2	2	2	2	FOR CONNECTION OF WATER CIRCUIT (WATER PUMP)		20,000 hrs (3 years)	
⑤	G	S70 C55 460	GASKET 1"	1"	8	8	8	8	8	8	6	6	6	8	FOR CONNECTION OF WATER CIRCUIT		
⑥	G	S70 C77 460	GASKET 3/8"	3/8"	1	1	1	1			1	1	1	1	FOR CONNECTION OF WATER CIRCUIT		
⑦	G	S70 C88 460	GASKET 1/4"	1/4"	1	1	1	1	1	1	1	1	1	1	FOR CONNECTION OF WATER CIRCUIT (MANOMETER)		

Parts number that is circled is not shown in the figure.

Do not reuse the gaskets (No.4 to 7) that were once removed, but be sure to replace with a new one.

**2****OPTIONAL PARTS****2-1. WIRELESS REMOTE CONTROLLER**

Part No.	PAR-WT50R-E
----------	-------------

**2-2. WIRELESS RECEIVER**

Part No.	PAR-WR51R-E
----------	-------------

**2-3. REMOTE SENSOR**

Part No.	PAC-SE41TS-E
----------	--------------

**2-4. JOINT PIPE ( $\phi 15.88 \rightarrow \phi 12.7$ )**

Part No.	PAC-SH50RJ-E
----------	--------------

**2-5. JOINT PIPE ( $\phi 9.52 \rightarrow \phi 6.35$ )**

Part No.	PAC-SH30RJ-E
----------	--------------

**2-6. THERMISTOR**

Part No.	PAC-TH011-E
----------	-------------

**2-7. HIGH TEMPERATURE THERMISTOR**

Part No.	PAC-TH011HT-E
----------	---------------

**2-8. TANK THERMISTOR**

Part No.	PAC-TH011TK-E
----------	---------------

# **mitsubishi electric corporation**

HEAD OFFICE : TOKYO BLDG., 2-7-3, MARUNOUCHI, CHIYODA-KU, TOKYO 100-8310, JAPAN

---

©Copyright 2012 MITSUBISHI ELECTRIC CORPORATION  
Distributed in May 2015 No.OCB532 REVISED EDITION-B  
Distributed in Jan. 2013 No.OCB532 REVISED EDITION-A  
Distributed in Sep. 2012 No.OCB532  
Made in Japan

New publication, effective May 2015  
Specifications are subject to change without notice.