

# SERVICE PARTS LIST FOR MITSUBISHI ELECTRIC PACKAGED AIR-CONDITIONERS

**Series : PURY-EP•Y(S)KM-A(-BS)**

**For use with the R410A**

**REVISED**

**May 2013**

**BWE01210A**

## INDEX

**PURY-EP200YKM-A**  
**PURY-EP200YKM-A-BS**  
**PURY-EP250YKM-A**  
**PURY-EP250YKM-A-BS**  
**PURY-EP300YKM-A**  
**PURY-EP300YKM-A-BS**  
**PURY-EP350YKM-A**  
**PURY-EP350YKM-A-BS**  
**PURY-EP400YKM-A**  
**PURY-EP400YKM-A-BS**  
**PURY-EP450YKM-A**  
**PURY-EP450YKM-A-BS**

Refer to the next page for the package names.

Part information update day : **2013/05/14**

Please change the old catalog (issued Feb. 2013, No.BWE012100) to this new catalog.  
Content of revision : Some of parts are changed. Added new models.

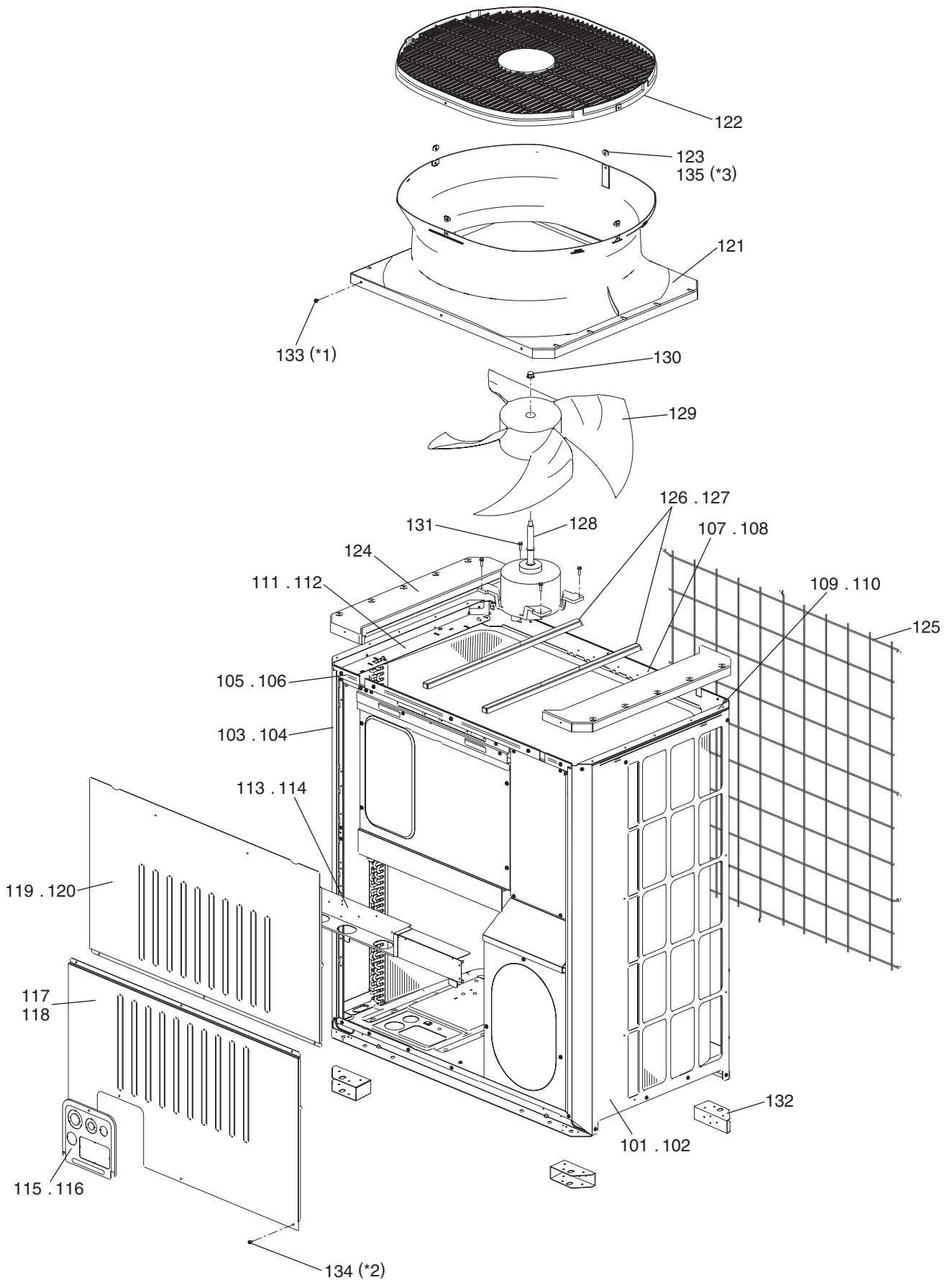


## The Package name list

<b>PURY-EP400YSKM-A(-BS)</b>	[PURY-EP200YKM-A(-BS) + PURY-EP200YKM-A(-BS)]
<b>PURY-EP450YSKM-A(-BS)</b>	[PURY-EP200YKM-A(-BS) + PURY-EP250YKM-A(-BS)]
<b>PURY-EP500YSKM-A(-BS)</b>	[PURY-EP250YKM-A(-BS) + PURY-EP250YKM-A(-BS)]
<b>PURY-EP550YSKM-A(-BS)</b>	[PURY-EP250YKM-A(-BS) + PURY-EP300YKM-A(-BS)]
<b>PURY-EP600YSKM-A(-BS)</b>	[PURY-EP300YKM-A(-BS) + PURY-EP300YKM-A(-BS)]
<b>PURY-EP650YSKM-A(-BS)</b>	[PURY-EP300YKM-A(-BS) + PURY-EP350YKM-A(-BS)]
<b>PURY-EP700YSKM-A(-BS)</b>	[PURY-EP350YKM-A(-BS) + PURY-EP350YKM-A(-BS)]

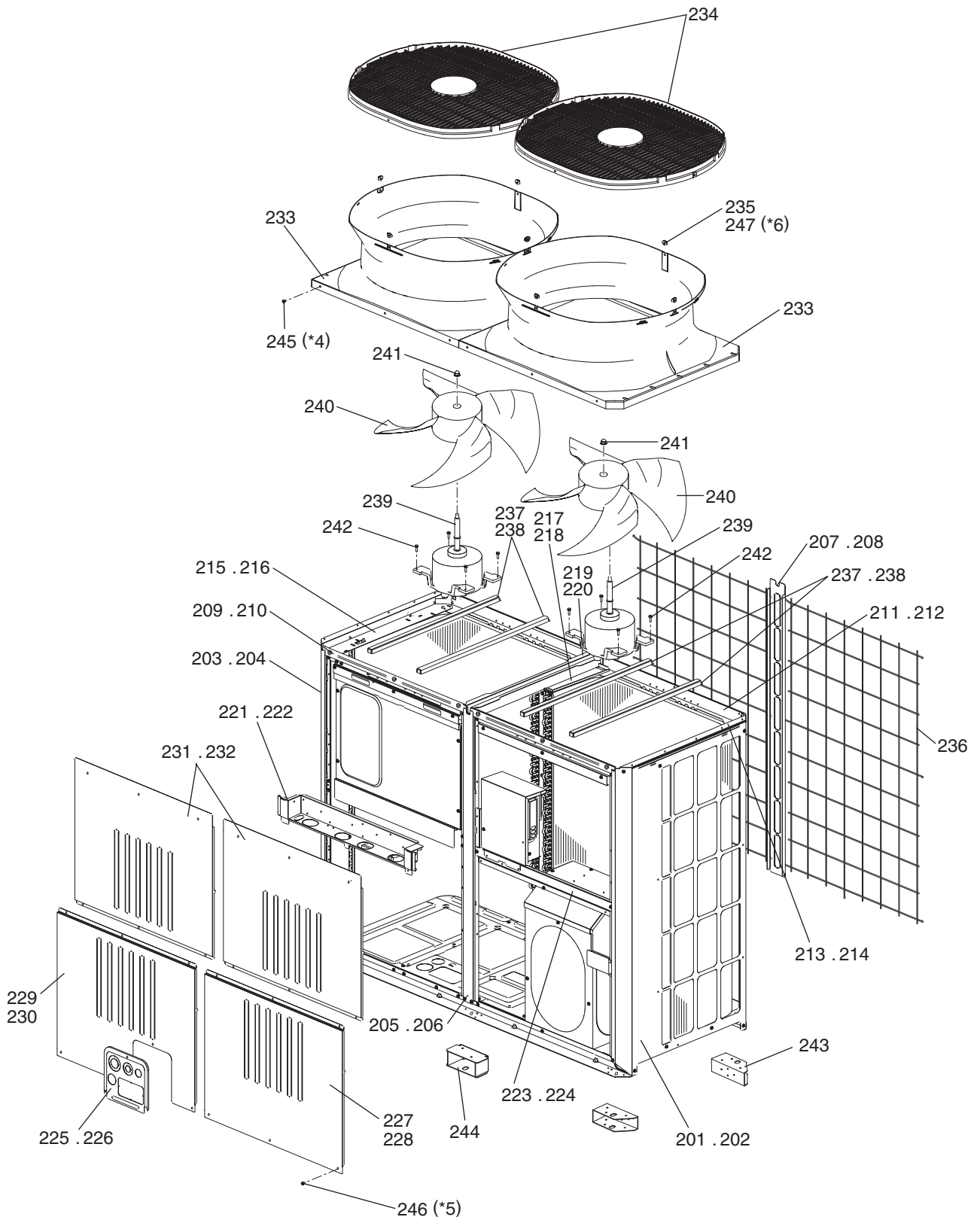
## Added new models

<b>PURY-EP400YKM-A(-BS):Added May 2013</b>
<b>PURY-EP450YKM-A(-BS):Added May 2013</b>



\*1 54 WFT Screws (part No.133),  
 \*2 92 H Screws (part No.134),  
 \*3 4 WFT Screws (part No.135)





\*4 68 WFT Screws (part No.245),  
 \*5 141 H Screws (part No.246),  
 \*6 8 WFT Screws (part No.247)

No.	Part No.	G : RoHS Apply Only W : RoHS Apply by Running Change	Part Name	Spec.	PURY-EP300YKM-A	PURY-EP350YKM-A	PURY-EP350YKM-A	PURY-EP350YKM-A	PURY-EP400YKM-A	PURY-EP400YKM-A	Dwg. No.	Notes for the models	Revision info.
201	R61 042 661	G	Panel R		1	1	1	1	1	1	KB02A370G03		
202	R61 041 661	G	Panel R	BS		1	1	1	1	1	KB02A370G04		
203	R61 206 651	G	Panel L		1	1	1	1	1	1	KB02A369G05		
204	R61 207 651	G	Panel L	BS		1	1	1	1	1	KB02A369G06		
205	R61 022 626	G	Pillar assy MF		1	1	1	1	1	1	KD00R845G07		
206	R61 023 626	G	Pillar assy MF	BS		1	1	1	1	1	KD00R845G08		
207	R61 020 626	G	Pillar MB		1	1	1	1	1	1	KB02J843G01		
208	R61 019 626	G	Pillar MB	BS		1	1	1	1	1	KB02J843G02		
209	R61 061 162	G	Frame assy F		1	1	1	1	1	1	KD00L182G03		
210	R61 060 162	G	Frame assy F	BS		1	1	1	1	1	KD00L182G05		
211	R61 085 162	G	Frame assy B		1	1	1	1	1	1	KD00L073G07		
212	R61 086 162	G	Frame assy B	BS		1	1	1	1	1	KD00L073G08		
213	R61 071 162	G	Frame assy LR		1	1	1	1	1	1	KD00L021G03		
214	R61 070 162	G	Frame assy LR	BS		1	1	1	1	1	KD00L021G04		
215	R61 069 162	G	Frame assy L		1	1	1	1	1	1	KD00L149G03		
216	R61 068 162	G	Frame assy L	BS		1	1	1	1	1	KD00L149G04		
217	R61 003 499	G	Plate HEX assy		1	1	1	1	1	1	KB00T714G01		
218	R61 004 499	G	Plate HEX assy	BS		1	1	1	1	1	KB00T714G02		
219	R61 072 162	G	Frame MT		1	1	1	1	1	1	KB02J833H01		
220	R61 073 162	G	Frame MT	BS		1	1	1	1	1	KB02J833G01		
221	R61 090 162	G	Frame M assy		1	1	1	1	1	1	KD00L159G11		
222	R61 089 162	G	Frame M assy	BS		1	1	1	1	1	KD00L159G12		
223	R61 058 162	G	Frame MR		1	1	1	1	1	1	KD02G743H04		
224	R61 059 162	G	Frame MR	BS		1	1	1	1	1	KD02G743G02		
225	R61 095 690	G	Piping cover		1	1	1	1	1	1	KB02L001G07		
226	R61 094 690	G	Piping cover	BS		1	1	1	1	1	KB02L001G08		
227	R61 212 651	G	Panel FBR		1	1	1	1	1	1	KB02J838H04		
228	R61 213 651	G	Panel FBR	BS		1	1	1	1	1	KB02J838G06		
229	R61 182 651	G	Panel FBL		1	1	1	1	1	1	KB02J837H02		
230	R61 183 651	G	Panel FBL	BS		1	1	1	1	1	KB02J837G04		
231	R61 177 651	G	Panel FU		2	2	2	2	2	2	KB02J839H01		
232	R61 178 651	G	Panel FU	BS		2	2	2	2	2	KB02J839G02		
233	R61 005 119	G	Bell mouth		2	2	2	2	2	2	KB25A367H03		
234	R61 007 118	G	Fan guard		2	2	2	2	2	2	KB25J857H04		
235	R61 009 669	G	Plate Fan guard		8	8	8	8	8	8	KD02D205H02		
236	R61 010 611	G	Fin guard B		2	2	2	2	2	2	KB07N272G01		
237	R61 016 140	G	Base fan		4	4	4	4	4	4	KD02D026H01		
238	R61 017 140	G	Base fan	BS		4	4	4	4	4	KD02D026G03		
239	R61 167 220	G	Motor	L-920-B4-1 Y AC380-400-920W	2	2	2	2	2	2	P780225X01		
240	R63 4H6 300	G	Fan		2	2	2	2	2	2	KB25A009H03		
241	R63 4H6 122	G	Box nut	M12 CH	2	2	2	2	2	2	P552000X01		
242	R61 028 087	G	Upset Screw	M6 x 22	8	8	8	8	8	8	P516049X01		
243	R61 016 130	G	Attachment leg		4	4	4	4	4	4	KD02T773G01		
244	R61 025 130	G	Attachment leg	XL	2	2	2	2	2	2	KD02T774G01		
245	R63 006 087	G	WFT Screw	M5 x 12 (30pcs)	3	3	3	3	3	3	KB00H418G01	*4	



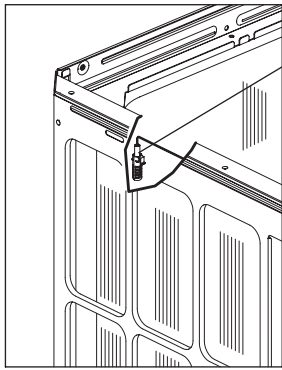
No.	Part No.	G : RoHS Apply Only W : RoHS Apply by Running Change		Spec.	PURY-EP450YKM-A	PURY-EP450YKM-A-BS					Dwg. No.	Notes for the models	Revision info.
			Part Name										
201	R61 042 661	G	Panel R		1						KB02A370G03		
202	R61 041 661	G	Panel R	BS		1					KB02A370G04		
203	R61 206 651	G	Panel L		1						KB02A369G05		
204	R61 207 651	G	Panel L	BS		1					KB02A369G06		
205	R61 022 626	G	Pillar assy MF		1						KD00R845G07		
206	R61 023 626	G	Pillar assy MF	BS		1					KD00R845G08		
207	R61 020 626	G	Pillar MB		1						KB02J843G01		
208	R61 019 626	G	Pillar MB	BS		1					KB02J843G02		
209	R61 061 162	G	Frame assy F		1						KD00L182G03		
210	R61 060 162	G	Frame assy F	BS		1					KD00L182G05		
211	R61 085 162	G	Frame assy B		1						KD00L073G07		
212	R61 086 162	G	Frame assy B	BS		1					KD00L073G08		
213	R61 071 162	G	Frame assy LR		1						KD00L021G03		
214	R61 070 162	G	Frame assy LR	BS		1					KD00L021G04		
215	R61 069 162	G	Frame assy L		1						KD00L149G03		
216	R61 068 162	G	Frame assy L	BS		1					KD00L149G04		
217	R61 003 499	G	Plate HEX assy		1						KB00T714G01		
218	R61 004 499	G	Plate HEX assy	BS		1					KB00T714G02		
219	R61 072 162	G	Frame MT		1						KB02J833H01		
220	R61 073 162	G	Frame MT	BS		1					KB02J833G01		
221	R61 090 162	G	Frame M assy		1						KD00L159G11		
222	R61 089 162	G	Frame M assy	BS		1					KD00L159G12		
223	R61 058 162	G	Frame MR		1						KD02G743H04		
224	R61 059 162	G	Frame MR	BS		1					KD02G743G02		
225	R61 095 690	G	Piping cover		1						KB02L001G07		
226	R61 094 690	G	Piping cover	BS		1					KB02L001G08		
227	R61 212 651	G	Panel FBR		1						KB02J838H04		
228	R61 213 651	G	Panel FBR	BS		1					KB02J838G06		
229	R61 182 651	G	Panel FBL		1						KB02J837H02		
230	R61 183 651	G	Panel FBL	BS		1					KB02J837G04		
231	R61 177 651	G	Panel FU		2						KB02J839H01		
232	R61 178 651	G	Panel FU	BS		2					KB02J839G02		
233	R61 005 119	G	Bell mouth		2	2					KB25A367H03		
234	R61 007 118	G	Fan guard		2	2					KB25J857H04		
235	R61 009 669	G	Plate Fan guard		8	8					KD02D205H02		
236	R61 010 611	G	Fin guard B		2	2					KB07N272G01		
237	R61 016 140	G	Base fan		4						KD02D026H01		
238	R61 017 140	G	Base fan	BS		4					KD02D026G03		
239	R61 167 220	G	Motor	L-920-B4-1 Y AC380-400-920W	2	2					P780225X01		
240	R63 4H6 300	G	Fan		2	2					KB25A009H03		
241	R63 4H6 122	G	Box nut	M12 CH	2	2					P552000X01		
242	R61 028 087	G	Upset Screw	M6 x 22	8	8					P516049X01		
243	R61 016 130	G	Attachment leg		4	4					KD02T773G01		
244	R61 025 130	G	Attachment leg	XL	2	2					KD02T774G01		
245	R63 006 087	G	WFT Screw	M5 x 12 (30pcs)	3	3					KB00H418G01	*4	





PURY-EP200YKM-A(-BS)  
 PURY-EP250YKM-A(-BS)

FUNCTIONAL PARTS (1)



335 . 338

<To replace parts with the HEX removed>  
 Individual replacement of parts 322 , 323  
 and 339 is possible.

<To replace parts without the HEX removed>  
 (\*7 , \*8 )  
 Replace parts 322 , 323 and 339 with a  
 service pipe assembly 340 (Figure 1).

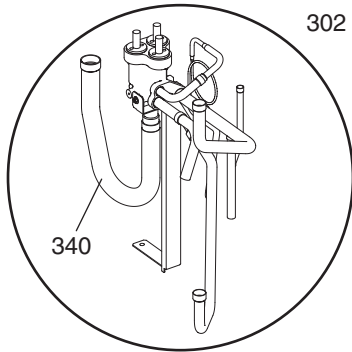
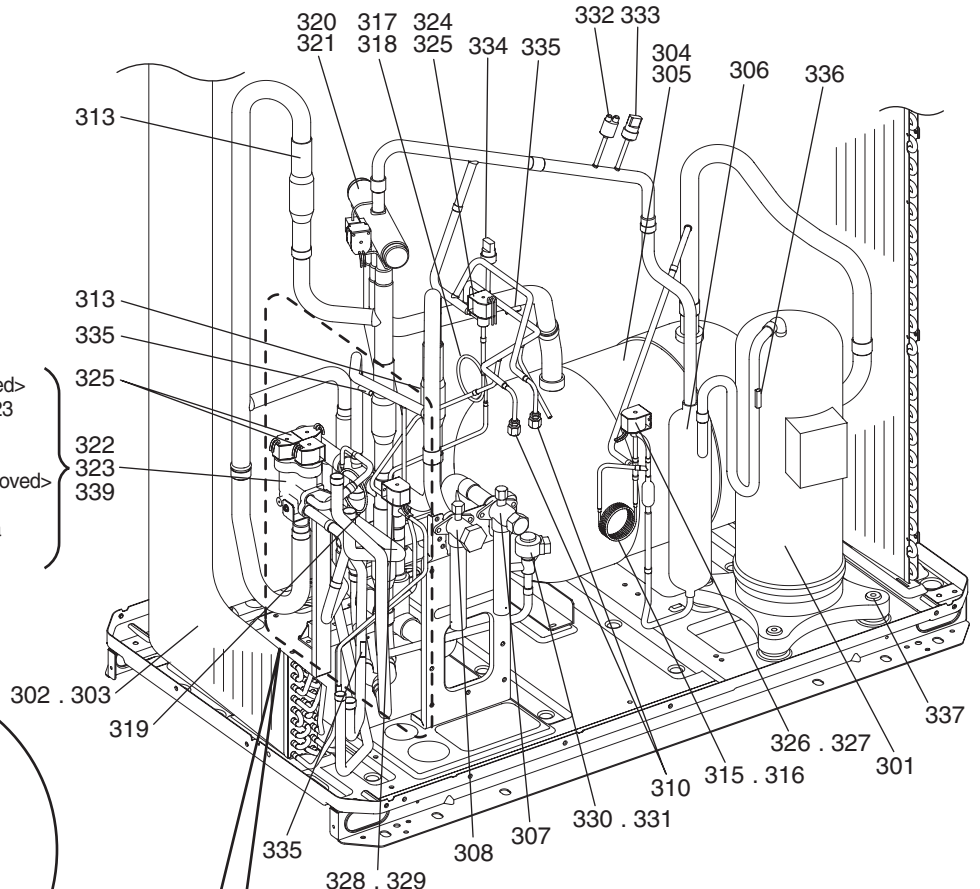
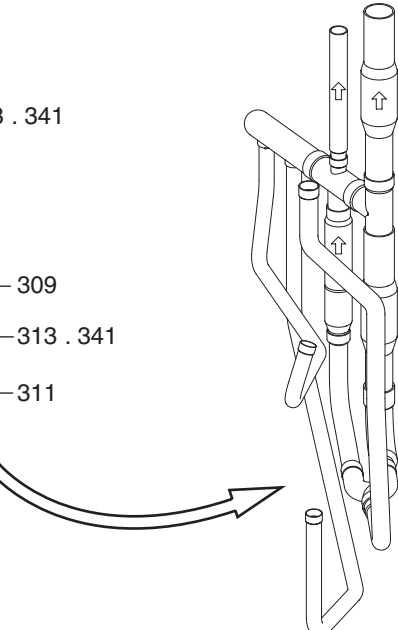
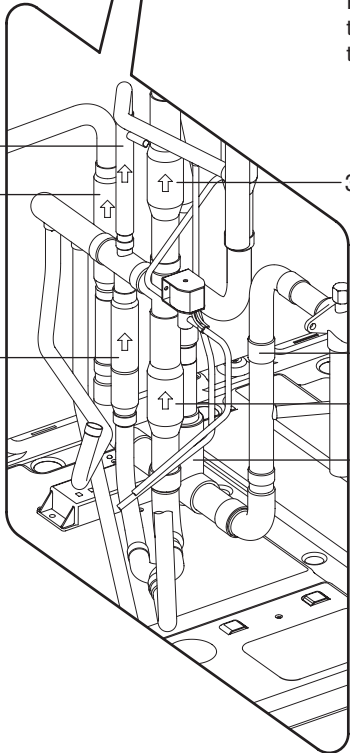


Figure 1



<To replace parts without the HEX removed> (\*7 , \*9 )  
 Remove the solenoid valve block assembly (Figure 1),  
 take the check valve assembly (see figure below) out of  
 the unit, and replace parts 341 , 342 , 343.

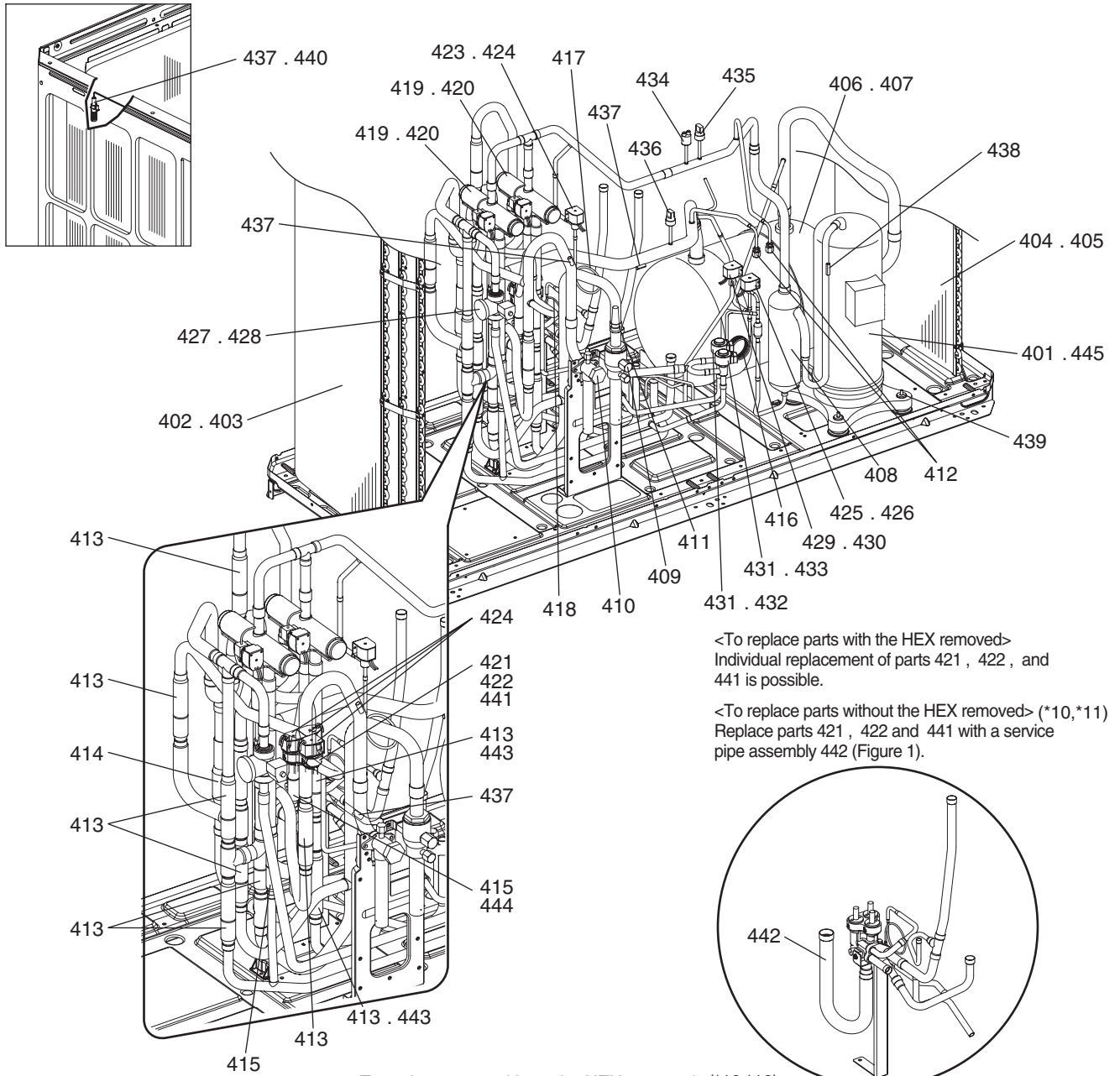
<To replace parts with the HEX removed>  
 Individual replacement of parts  
 312 , 313 and 314 is possible.



\*7 Refer to the replacement instructions provided  
 with parts 340 , 341 , 342 and 343 for details.

\*8 A solenoid valve block assy and a sheet of replacement instructions are included with Solenoid valve block service parts kit (No. 340).  
 \*9 A check valve and a sheet of replacement instructions are included with Service parts with instructions (No. 341 , 342 , 343).

No.	Part No.	G : RoHS Apply Only W : RoHS Apply by Running Change	Part Name	Spec.	PURY-EP200YKM-A	PURY-EP200YKM-A+BS	PURY-EP250YKM-A	PURY-EP250YKM-A+BS	Dwg. No.	Notes for the models	Revision info.
302	R61 640 480	G	Heat exchanger	3L	1		1		KD01R776G01		
303	R61 641 480	G	Heat exchanger	3L BS		1		1	KD01R776G02		
304	R61 118 484	G	Accumulator assy		1		1		KB54B479G33		
305	R61 119 484	G	Accumulator assy	BS		1		1	KB54B479G34		
306	R61 034 487	G	Oil separator assy		1	1	1	1	KD00R699G01		
307	R61 002 540	G	Valve	VSAMH8SSCM-A	1	1	1	1	P636343X01	<(LP)BV1>	
308	R63 007 538	G	Valve	VSAMH8SSCM-LA1 D25.4	1	1	1	1	P636353X01	<(HP)BV2>	
309	R61 008 454	G	Strainer	25.4D	1	1	1	1	KB48K250G01	<ST1>	
310	R61 004 413	G	Check joint L	R410A	2	2	2	2	P666013X01	<(HP)CJ1,(LP)CJ2>	
311	R61 013 418	G	Check valve	ZYBV R410A	1	1	1	1	P633132X01	<CV2a>	
312	R61 003 418	G	Check valve	LCVP157M CV8.5	2	2	2	2	P639180X01	<CV3a,CV9a>	
313	R61 002 418	G	Check valve	YBV22 R410A 4.15MPa CV13	4	4	4	4	P639183X01	<CV4a,CV5a,CV7a,CV8a>	
314	R61 005 418	G	Check valve	YAV R410A CV3.5	1	1	1	1	P633133X01	<CV6a>	
315	R63 002 425	G	Capillary tube assy		1	1			KB49F229G01	<CP1>	
316	R63 R55 425	G	Capillary tube assy				1	1	W905191G02	<CP1>	
317	R61 006 425	G	Capillary tube assy		1	1			KB49H698G01	<CP2>	
318	R61 008 425	G	Capillary tube assy				1	1	KB49H700G01	<CP2>	
319	R61 022 425	G	Capillary tube assy		1	1	1	1	KD49F641G01	<CP3>	
320	R63 Y05 154	G	Four way valve	STF-07	1	1	1	1	P633119X01	<21S4a>	
321	R63 Y16 243	G	Four way valve coil	STF-01 220-240V	1	1	1	1	P472024X01	<21S4a>	
322	R61 038 232	G	Valve block assy	3SV	1	1	1	1	KB00T028G02		
323	R63 6A7 235	G	Solenoid valve	ACS METAL D32 ACS-BPMD-8	3	3	3	3	P631310X01	<SV4a,SV4b,SV4d>	
324	R63 Y07 232	G	Solenoid valve	ATS-A R410A	1	1	1	1	P631291X01	<SV9>	
325	R63 Y18 243	G	Solenoid valve coil	220-240V L2000	4	4	4	4	P472012X01	<SV4a,SV4b,SV4d,SV9>	
326	R63 046 232	G	Solenoid valve	FD2A77 SV CV0.07	1	1	1	1	P631312X01	<SV1a>	
327	R63 032 243	G	Solenoid valve coil	FQG625 240V L1500	1	1	1	1	P472070X01	<SV1a>	
328	R63 027 232	G	Solenoid valve	VPV-L202D	1	1	1	1	P631296X01	<SV5b>	
329	R61 015 243	G	Solenoid valve coil	VPV Y2 AC220V-240V 50Hz	1	1	1	1	P472048X01	<SV5b>	
330	R61 036 401	G	Linear expansion valve	PAM BBO20TON CV	1	1	1	1	P632504X01	<LEV5a>	
331	R61 030 243	G	Solenoid valve coil	PAM WHITE L2000	1	1	1	1	P472081X01	<LEV5a>	
332	R63 Y11 208	G	Pressure switch	ACB1UB28W	1	1	1	1	P426320X01	<63H1>	
333	R63 049 288	G	Pressure sensor	HP	1	1	1	1	KB00H904G20	<63HS1>	
334	R63 050 288	G	Pressure sensor	LP	1	1	1	1	KB00H904G21	<63LS>	
335	R61 060 200	G	Thermistor	CHIP TH. 15k	4	4	4	4	P418065X01	<TH3,TH5,TH6,TH7>	
336	R63 911 202	G	Thermistor		1	1	1	1	P425416X02	<TH4>	
337	R63 852 860	G	Rubber mount		4	4	4	4	W897574H01	For compressor	
338	R61 001 310	G	Sensor holder		1	1	1	1	KB25B471H03		
339	R63 6A7 245	G	SV tightening element		1	1	1	1	W909209G01		
340	R63 048 232	G	SV block service parts kit		1	1	1	1	KB00S879G13	*8	
341	R63 008 418	G	Check valve 1	(with instructions)	2	2	2	2	KB00S879G14	<CV4a,CV8a> *9	
342	R63 011 418	G	Check valve 2	(with instructions)	1	1	1	1	KB00S879G15	<CV6a> *9	
343	R63 009 418	G	Check valve 3	(with instructions)	1	1	1	1	KB00S879G16	<CV9a> *9	



<To replace parts with the HEX removed>  
 Individual replacement of parts 421 , 422 , and 441 is possible.

<To replace parts without the HEX removed> (\*10,\*11)  
 Replace parts 421 , 422 and 441 with a service pipe assembly 442 (Figure 1).

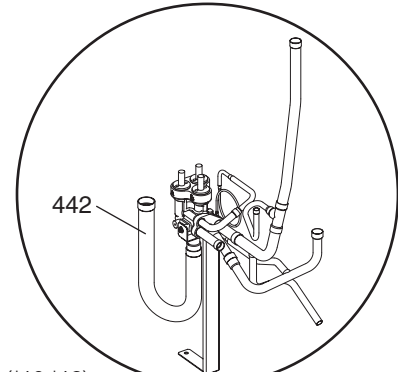
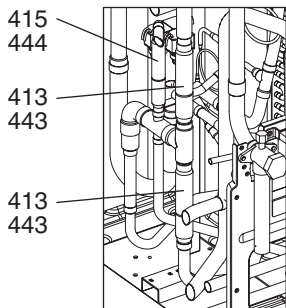
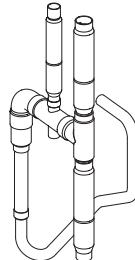


Figure 1

<To replace parts with the HEX removed>  
 Individual replacement of parts 413 , 415 is possible.



<To replace parts without the HEX removed> (\*10,\*12)  
 Remove the solenoid valve block assembly (Figure 1), take the check valve assembly (see figure below) out of the unit, and replace parts 443 , 444.



\*10 Refer to the replacement instructions provided with parts 442 , 443 and 444 for details.

\*11 A solenoid valve block assy and a sheet of replacement instructions are included with Solenoid valve block service parts kit (No. 442).  
 \*12 A check valve and a sheet of replacement instructions are included with Service parts with instructions (No. 443 , 444 ).

No.	Part No.	G : RoHS Apply Only W : RoHS Apply by Running Change	Part Name	Spec.	PURY-EP300YKM-A	PURY-EP350YKM-A-BS	PURY-EP350YKM-A	PURY-EP350YKM-A-BS	PURY-EP400YKM-A	PURY-EP400YKM-A-BS	Dwg. No.	Notes for the models	Revision info.
401	R69 104 478	G	Scroll compressor	HNB83FB-YE(S)	1	1	1	1			EP10136B03		
402	R61 642 480	G	Heat exchanger L	3L	1		1		1		KD01R771G01		
403	R61 643 480	G	Heat exchanger L	3L BS		1		1		1	KD01R771G02		
404	R63 644 480	G	Heat exchanger R	3L	1		1		1		KD01R885G01		
405	R63 645 480	G	Heat exchanger R	3L BS		1		1		1	KD01R885G02		
406	R61 120 484	G	Accumulator assy		1		1		1		KB54B479G35		
407	R61 121 484	G	Accumulator assy	BS		1		1		1	KB54B479G36		
408	R61 033 487	G	Oil separator assy		1	1	1	1	1	1	KD00R636G01		
409	R61 009 410	G	Ball valve	JA10YGME 4.15MPa D25	1	1	1	1	1	1	P636358X01	<(LP)BV1>	
410	R63 007 538	G	Valve	VSAMH8SSCM-LA1 D25.4	1	1	1	1	1	1	P636353X01	<(HP)BV2>	
411	R61 008 454	G	Strainer	25.4D	1	1	1	1	1	1	KB48K250G01	<ST1>	
412	R61 004 413	G	Check joint L	R410A	2	2	2	2	2	2	P666013X01	<(HP)CJ1,(LP)CJ2>	
413	R61 003 418	G	Check valve	LCVP157M CV8.5	9	9	9	9	9	9	P639180X01	<CV2a, CV2b, CV4a, CV4b, CV5a, CV5b, CV7a, CV7b, CV8a, CV8b>	
414	R61 002 418	G	Check valve	YBV22 R410A 4.15MPa CV13	1	1	1	1	1	1	P639183X01	<CV3a>	
415	R61 005 418	G	Check valve	YAV R410A CV3.5	2	2	2	2	2	2	P633133X01	<CV6a, CV6b>	
416	R63 R55 425	G	Capillary tube assy		1	1	1	1	1	1	W905191G02	<CP1>	
417	R61 008 425	G	Capillary tube assy		1	1	1	1	1	1	KB49H700G01	<CP2>	
418	R61 022 425	G	Capillary tube assy		1	1	1	1	1	1	KD49F641G01	<CP3>	
419	R63 Y05 154	G	Four way valve	STF-07	2	2	2	2	2	2	P633119X01	<21S4a, 21S4b>	
420	R63 Y16 243	G	Four way valve coil	STF-01 220-240V	2	2	2	2	2	2	P472024X01	<21S4a, 21S4b>	
421	R61 038 232	G	Valve block assy	3SV	1	1	1	1	1	1	KB00T028G02		
422	R63 6A7 235	G	Solenoid valve	ACS METAL D32 ACS-BPMD-8	3	3	3	3	3	3	P631310X01	<SV4a, SV4b, SV4d>	
423	R63 Y07 232	G	Solenoid valve	ATS-A R410A	1	1	1	1	1	1	P631291X01	<SV9>	
424	R63 Y18 243	G	Solenoid valve coil	220-240V L2000	4	4	4	4	4	4	P472012X01	<SV4a, SV4b, SV4d, SV9>	
425	R63 046 232	G	Solenoid valve	FD2A77 SV CV0.07	1	1	1	1	1	1	P631312X01	<SV1a>	
426	R63 032 243	G	Solenoid valve coil	FQG625 240V L1500	1	1	1	1	1	1	P472070X01	<SV1a>	
427	R63 P89 232	G	Solenoid valve	SR6PF-06WR	1	1	1	1	1	1	P631278X01	<SV4c>	
428	R61 007 243	G	Solenoid valve coil	SR10D AC230V	1	1	1	1	1	1	P472030X02	<SV4c>	
429	R63 027 232	G	Solenoid valve	VPV-L202D	1	1	1	1	1	1	P631296X01	<SV5b>	
430	R61 015 243	G	Solenoid valve coil	VPV Y2 AC220V-240V 50Hz	1	1	1	1	1	1	P472048X01	<SV5b>	
431	R61 036 401	G	Linear expansion valve	PAM BBO20TON CV	2	2	2	2	2	2	P632504X01	<LEV5a, LEV5b>	
432	R61 030 243	G	Solenoid valve coil	PAM WHITE L2000	1	1	1	1	1	1	P472081X01	<LEV5a>	
433	R61 022 243	G	Solenoid valve coil	PAM DC12V 6POLE	1	1	1	1	1	1	P472061X02	<LEV5b>	
434	R63 Y11 208	G	Pressure switch	ACB1UB28W	1	1	1	1	1	1	P426320X01	<63H1>	
435	R63 052 288	G	Pressure sensor	0-4.15MPa NSK-BD042D	1	1	1	1	1	1	KB00H904G22	<63HS1>	
436	R63 053 288	G	Pressure sensor	0-1.7MPa NSK-BD017D	1	1	1	1	1	1	KB00H904G23	<63LS>	
437	R61 060 200	G	Thermistor	CHIP TH. 15k	4	4	4	4	4	4	P418065X01	<TH3, TH5, TH6, TH7>	
438	R63 911 202	G	Thermistor		1	1	1	1	1	1	P425416X02	<TH4>	
439	R63 852 860	G	Rubber mount		4	4	4	4	4	4	W897574H01	For compressor	
440	R61 001 310	G	Sensor holder		1	1	1	1	1	1	KB25B471H03		
441	R63 6A7 245	G	SV tightening element		1	1	1	1	1	1	W909209G01		
442	R61 047 232	G	SV block service parts kit		1	1	1	1	1	1	KB00S879G17	*11	
443	R63 006 418	G	Check valve 1	(with instructions)	2	2	2	2	2	2	KB00S879G18	<CV4a, CV8a> *12	
444	R63 010 418	G	Check valve 2	(with instructions)	1	1	1	1	1	1	KB00S879G19	<CV6a> *12	
445	R69 107 478	G	Scroll compressor	HNB84FC1-Y(S)					1	1	EP10126B02		Add

No.	Part No.	G : RoHS Apply Only W : RoHS Apply by Running Change	Part Name	Spec.	PURY-EP450YKM-A	PURY-EP400YKM-A-BS					Dwg. No.	Notes for the models	Revision info.
401	R69 104 478	G	Scroll compressor	HNB83FB-YE(S)							EP10136B03		
402	R61 642 480	G	Heat exchanger L	3L	1						KD01R771G01		
403	R61 643 480	G	Heat exchanger L	3L BS		1					KD01R771G02		
404	R63 644 480	G	Heat exchanger R	3L	1						KD01R885G01		
405	R63 645 480	G	Heat exchanger R	3L BS		1					KD01R885G02		
406	R61 120 484	G	Accumulator assy		1						KB54B479G35		
407	R61 121 484	G	Accumulator assy	BS		1					KB54B479G36		
408	R61 033 487	G	Oil separator assy		1	1					KD00R636G01		
409	R61 009 410	G	Ball valve	JA10YGME 4.15MPa D25	1	1					P636358X01	<(LP)BV1>	
410	R63 007 538	G	Valve	VSAMH8SSCM-LA1 D25.4	1	1					P636353X01	<(HP)BV2>	
411	R61 008 454	G	Strainer	25.4D	1	1					KB48K250G01	<ST1>	
412	R61 004 413	G	Check joint L	R410A	2	2					P666013X01	<(HP)CJ1,(LP)CJ2>	
413	R61 003 418	G	Check valve	LCVP157M CV8.5	9	9					P639180X01	<CV2a, CV2b, CV4a, CV4b, CV5a, CV5b, CV7a, CV7b, CV8a, CV8b>	
414	R61 002 418	G	Check valve	YBV22 R410A 4.15MPa CV13	1	1					P639183X01	<CV3a>	
415	R61 005 418	G	Check valve	YAV R410A CV3.5	2	2					P633133X01	<CV6a, CV6b>	
416	R63 R55 425	G	Capillary tube assy		1	1					W905191G02	<CP1>	
417	R61 008 425	G	Capillary tube assy		1	1					KB49H700G01	<CP2>	
418	R61 022 425	G	Capillary tube assy		1	1					KD49F641G01	<CP3>	
419	R63 Y05 154	G	Four way valve	STF-07	2	2					P633119X01	<21S4a, 21S4b>	
420	R63 Y16 243	G	Four way valve coil	STF-01 220-240V	2	2					P472024X01	<21S4a, 21S4b>	
421	R61 038 232	G	Valve block assy	3SV	1	1					KB00T028G02		
422	R63 6A7 235	G	Solenoid valve	ACS METAL D32 ACS-BPMD-8	3	3					P631310X01	<SV4a, SV4b, SV4d>	
423	R63 Y07 232	G	Solenoid valve	ATS-A R410A	1	1					P631291X01	<SV9>	
424	R63 Y18 243	G	Solenoid valve coil	220-240V L2000	4	4					P472012X01	<SV4a, SV4b, SV4d, SV9>	
425	R63 046 232	G	Solenoid valve	FD2A77 SV CV0.07	1	1					P631312X01	<SV1a>	
426	R63 032 243	G	Solenoid valve coil	FQG625 240V L1500	1	1					P472070X01	<SV1a>	
427	R63 P89 232	G	Solenoid valve	SR6PF-06WR	1	1					P631278X01	<SV4c>	
428	R61 007 243	G	Solenoid valve coil	SR10D AC230V	1	1					P472030X02	<SV4c>	
429	R63 027 232	G	Solenoid valve	VPV-L202D	1	1					P631296X01	<SV5b>	
430	R61 015 243	G	Solenoid valve coil	VPV Y2 AC220V-240V 50Hz	1	1					P472048X01	<SV5b>	
431	R61 036 401	G	Linear expansion valve	PAM BBO20TON CV	2	2					P632504X01	<LEV5a, LEV5b>	
432	R61 030 243	G	Solenoid valve coil	PAM WHITE L2000	1	1					P472081X01	<LEV5a>	
433	R61 022 243	G	Solenoid valve coil	PAM DC12V 6POLE	1	1					P472061X02	<LEV5b>	
434	R63 Y11 208	G	Pressure switch	ACB1UB28W	1	1					P426320X01	<63H1>	
435	R63 052 288	G	Pressure sensor	0-4.15MPa NSK-BD042D	1	1					KB00H904G22	<63HS1>	
436	R63 053 288	G	Pressure sensor	0-1.7MPa NSK-BD017D	1	1					KB00H904G23	<63LS>	
437	R61 060 200	G	Thermistor	CHIP TH. 15k	4	4					P418065X01	<TH3, TH5, TH6, TH7>	
438	R63 911 202	G	Thermistor		1	1					P425416X02	<TH4>	
439	R63 852 860	G	Rubber mount		4	4					W897574H01	For compressor	
440	R61 001 310	G	Sensor holder		1	1					KB25B471H03		
441	R63 6A7 245	G	SV tightening element		1	1					W909209G01		
442	R61 047 232	G	SV block service parts kit		1	1					KB00S879G17	*11	
443	R63 006 418	G	Check valve 1	(with instructions)	2	2					KB00S879G18	<CV4a, CV8a> *12	
444	R63 010 418	G	Check valve 2	(with instructions)	1	1					KB00S879G19	<CV6a> *12	
445	R69 107 478	G	Scroll compressor	HNB84FC1-Y(S)	1	1					EP10126B02		Add

PURY-EP200,EP250YKM-A(-BS)  
PURY-EP300,EP350YKM-A(-BS)  
PURY-EP400,EP450YKM-A(-BS)

### CONTROL BOX PARTS

