

**January 2013**
**No. OCB480  
REVISED EDITION-A**


# PARTS CATALOG

[Model name]  
<Outdoor unit>

[Service Ref.]

MXZ-8B140VA

**MXZ-8B140VA**

MXZ-8B160VA

**MXZ-8B160VA**

MXZ-8B140YA

**MXZ-8B140YA**

MXZ-8B160YA

**MXZ-8B160YA**

**Revision:**

- Errors of Service Ref. (page 4 and 5) have been corrected in REVISED EDITION-A.
- Some descriptions have been modified.

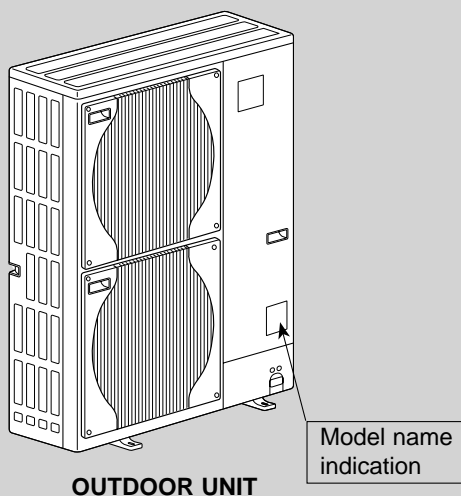
- Please void OCB480.

**Note:**

- RoHS compliant products have <G> mark on the spec name plate.

## CONTENTS

1. RoHS PARTS LIST.....2
2. OPTIONAL PARTS.....7

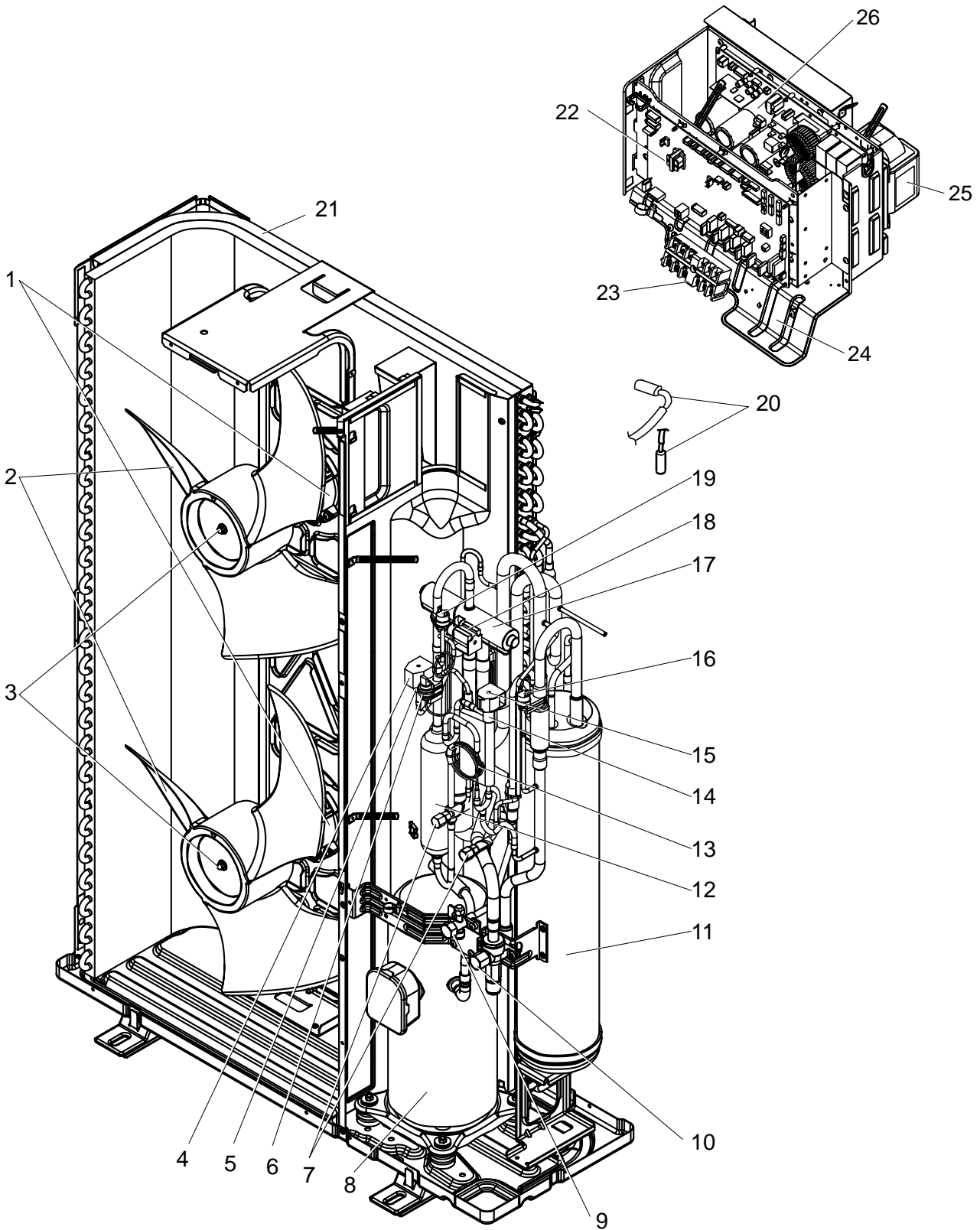


**SERVICE MANUAL (OCH480)**

FUNCTIONAL AND ELECTRICAL PARTS

MXZ-8B140VA

MXZ-8B160VA



# RoHS PARTS LIST

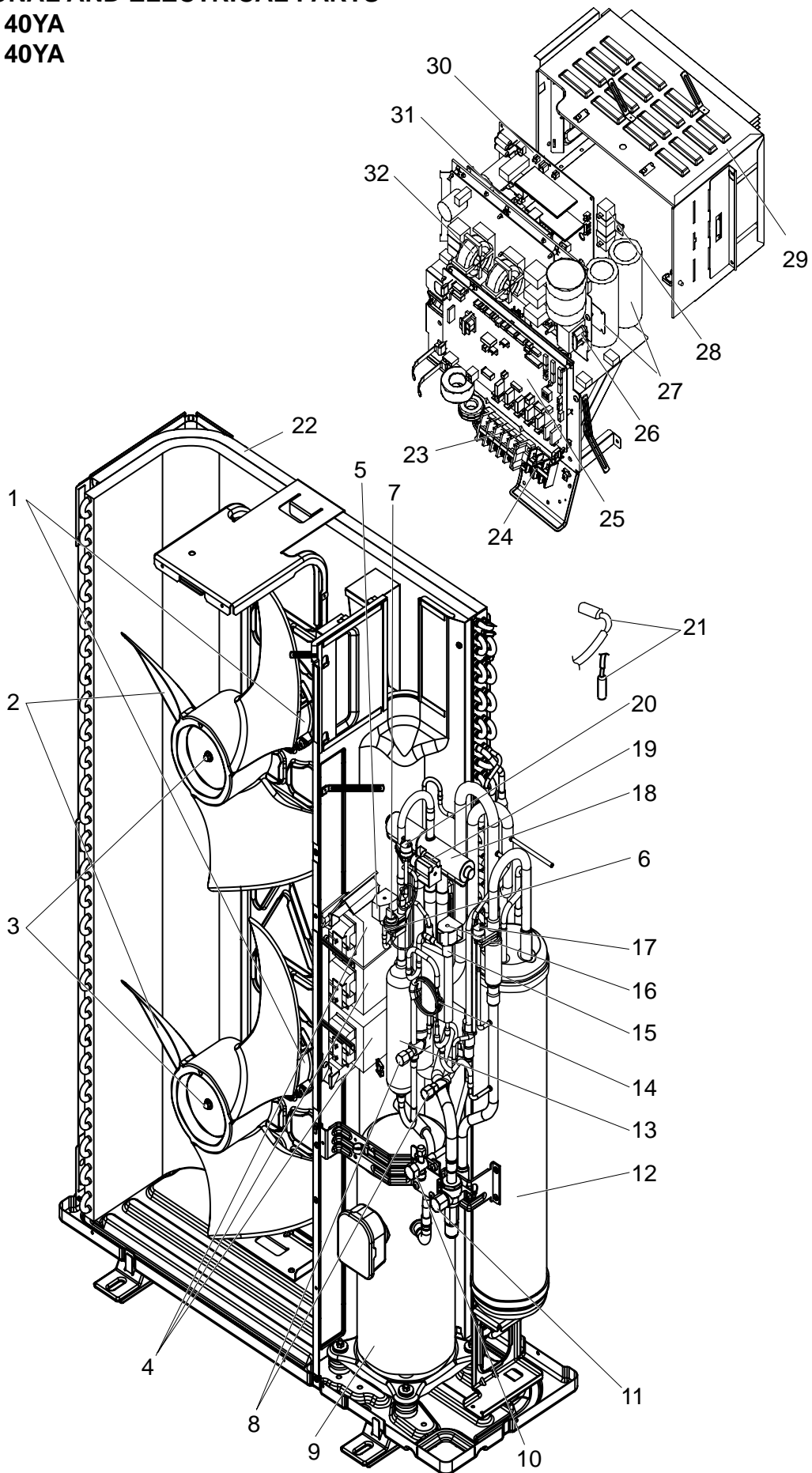
No.	RoHS	Part No.	Part Name	Specification	Q'ty/set	Remarks	Wiring Diagram Symbol	Recommended Q'ty
					MXZ-8B140VA MXZ-8B160VA			
1	G	T7W E27 763	FAN MOTOR		2		MF1, MF2	
2	G	R01 E12 115	PROPELLER FAN		2			
3	G	R01 E09 097	NUT		2			
4	G	T7W E38 242	SOLENOID VALVE COIL		1		SV1	
5	G	R01 E15 428	SOLENOID VALVE (SV1)		1			
6	G	R01 E07 208	HIGH PRESSURE SENSOR		1		63HS	
7	G	T7W E11 413	CHARGE PLUG		2			
8	G	T97 415 779	COMPRESSOR	ANB33FDSMT	1		MC	
9	G	R01 E13 410	STOP VALVE	3/8	1			
10	G	R01 E11 411	BALL VALVE	5/8	1			
11	G	R01 E36 440	ACCUMULATOR		1			
12	G	T7W E03 490	OIL SEPARATOR		1			
13	G	R01 E26 425	CAPILLARY TUBE	2.5 × 0.8 × 1000	1			
14	G	R01 E13 428	SOLENOID VALVE (SV2)		1			
15	G	T7W E31 242	SOLENOID VALVE COIL		1		SV2	
16	G	R01 E00 209	LOW PRESSURE SWITCH		1		63L	
17	G	R01 E27 403	FOUR-WAY VALVE		1			
18	G	T7W E29 242	SOLENOID VALVE COIL (FOUR-WAY VALVE)		1		21S4	
19	G	R01 E06 208	HIGH PRESSURE SWITCH		1		63H	
20	G	R01 E94 202	THERMISTOR(OUTDOOR 2PHASE PIPE, OUTDOOR)		1		TH6, TH7	
21	G	R01 E91 408	HEAT EXCHANGER		1			
22	G	T7W F05 315	CONTROLLER CIRCUIT BOARD		1		C.B.	
23	G	T7W E29 716	TERMINAL BLOCK	6P(L, N, Ⓣ, S1, S2, S3)	1		TB1	
24	G	—	ELECTRICAL PARTS BOX		1	(BK00B055G68)		
25	G	T7W E24 259	REACTOR		1		DCL	
26	G	T7W E65 313	POWER CIRCUIT BOARD		1		P.B.	
27	G	R01 E14 239	FUSE	250V 6.3A	4		F1~4	
28	G	R01 E20 254	MAIN SMOOTHING CAPACITOR		1		CB	
29	G	R01 E30 201	THERMISTOR (DISCHARGE)		1		TH4	
30	G	R01 H00 202	THERMISTOR (OUTDOOR PIPE)		1		TH3	
31	G	R01 E27 425	CAPILLARY TUBE (SV2)	4 × 2.4 × 250	1			

# RoHS PARTS LIST

## FUNCTIONAL AND ELECTRICAL PARTS

MXZ-8B140YA

MXZ-8B140YA



# RoHS PARTS LIST

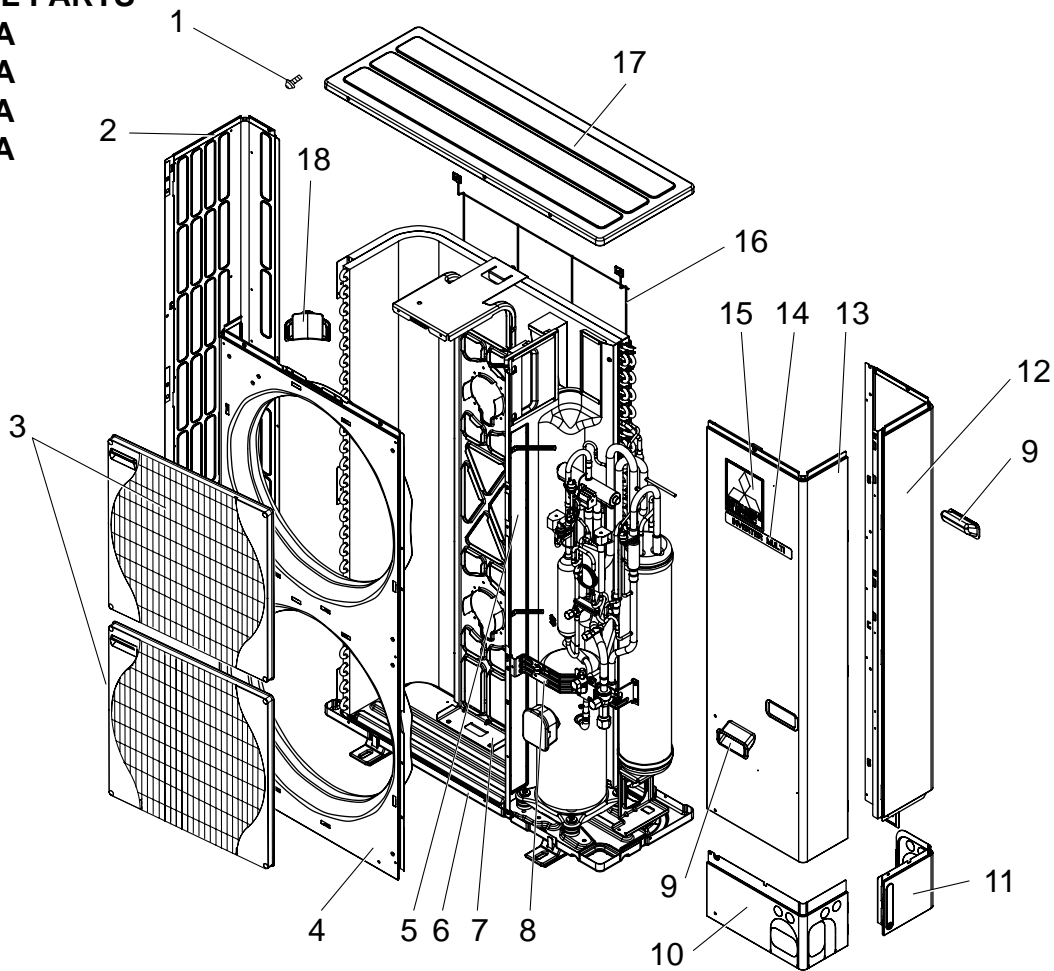
Part numbers that are circled are not shown in the figure.

No.	RoHS	Part No.	Part Name	Specification	Q'ty/set		Remarks	Wiring Diagram Symbol	Recommended Q'ty
					MXZ-8B140YA	MXZ-8B160YA			
1	G	T7W E27 763	FAN MOTOR			2		MF1, MF2	
2	G	R01 E12 115	PROPELLER FAN			2			
3	G	R01 E09 097	NUT			2			
4	G	T7W E12 259	REACTOR			3		ACL1,2,3	
5	G	T7W E38 242	SOLENOID VALVE COIL			1		SV1	
6	G	R01 E15 428	SOLENOID VALVE (SV1)			1			
7	G	R01 E07 208	HIGH PRESSURE SENSOR			1		63HS	
8	G	T7W E11 413	CHARGE PLUG			2			
9	G	T97 415 788	COMPRESSOR	ANB33FNBMT		1		MC	
10	G	R01 E13 410	STOP VALVE	3/8		1			
11	G	R01 E11 411	BALL VALVE	5/8		1			
12	G	R01 E36 440	ACCUMULATOR			1			
13	G	T7W E03 490	OIL SEPARATOR			1			
14	G	R01 E26 425	CAPILLARY TUBE	2.5 × 0.8 × 1000		1			
15	G	R01 E13 428	SOLENOID VALVE (SV2)			1			
16	G	T7W E19 242	SOLENOID VALVE COIL			1		SV2	
17	G	R01 E00 209	LOW PRESSURE SWITCH			1		63L	
18	G	R01 E27 403	FOUR-WAY VALVE			1			
19	G	T7W E29 242	SOLENOID VALVE COIL (FOUR-WAY VALVE)			1		21S4	
20	G	R01 E06 208	HIGH PRESSURE SWITCH			1		63H	
21	G	R01 H01 202	THERMISTOR(OUTDOOR 2PHASE PIPE, OUTDOOR)			1		TH6, TH7	
22	G	R01 E91 408	HEAT EXCHANGER			1			
23	G	T7W E30 716	TERMINAL BLOCK	5P(L1, L2, L3, N, ⊕)		1		TB1	
24	G	R01 E19 246	TERMINAL BLOCK	3P (S1, S2, S3)		1		TB2	
25	G	T7W F05 315	CONTROLLER CIRCUIT BOARD			1		C.B.	
26	G	R01 E31 259	REACTOR			1		ACL4	
27	G	R01 E02 254	MAIN SMOOTHING CAPACITOR			2		CB1,CB2	
28	G	R01 E10 233	RESISTOR			1		RS	
29	G	—	ELECTRICAL PARTS BOX			1	(BK00C410G08)		
30	G	T7W E60 313	POWER CIRCUIT BOARD			1		P.B.	
31	G	T7W F00 310	CONVERTER BOARD			1		CONV.B.	
32	G	T7W E23 346	NOISE FILTER CIRCUIT BOARD			1		N.F.	
33	G	R01 E14 239	FUSE	250V 6.3A		4		F1~4	
34	G	R01 E30 201	SHELL THERMISTOR			1		TH4	
35	G	R01 H00 202	THERMISTOR (OUTDOOR PIPE)			1		TH3	
36	G	R01 E27 425	CAPILLARY TUBE (SV2)	4 × 2.4 × 250		1			
37	G	T7W E10 254	CAPACITOR			1		CK	

# RoHS PARTS LIST

## STRUCTURAL PARTS

MXZ-8B140VA  
 MXZ-8B160VA  
 MXZ-8B140YA  
 MXZ-8B160YA



No.	RoHS	Part No.	Part Name	Specification	Q'ty/set		Remarks (Drawing No.)	Wiring Diagram Symbol	Recom- mended Q'ty
					MXZ-8B140,160				
					VA	YA			
1	G	-	F.ST SCREW	(5x12)	38	38	(DG12F536H12)		
2	G	T7W E03 662	SIDE PANEL (L)		1	1			
3	G	R01 E33 691	FAN GRILLE		2	2			
4	G	T7W E20 667	FRONT PANEL		1	1			
5	G	-	SEPARATOR ASSY		1		(BK00C143GG5)		
	G	-	SEPARATOR ASSY			1	(BK00C409G21)		
6	G	R01 E31 686	BASE ASSY		1	1			
7	G	R01 E27 130	MOTOR SUPPORT		1	1			
8	G	-	VALVE BED ASSY		1	1	(BK00C142G27)		
9	G	R01 E01 655	HANDLE		2	2			
10	G	R01 E13 658	COVER PANEL (FRONT)		1	1			
11	G	R01 E11 658	COVER PANEL (REAR)		1	1			
12	G	R01 E32 661	SIDE PANEL (R)		1	1			
13	G	T7W E08 668	SERVICE PANEL		1				
	G	T7W E09 668	SERVICE PANEL			1			
14	G	-	LABEL (BRAND)		1	1	(JG79C259H01)		
15	G	-	LABEL (MITSUBISHI)		1	1	(DG79R130H03)		
16	G	R01 E07 698	REAR GUARD		1	1			
17	G	R01 E14 641	TOP PANEL		1				
	G	R01 E15 641	TOP PANEL			1			
18	G	R01 E02 655	HANDLE		1	1			

## 2

## OPTIONAL PARTS

## 2-1. FOR OUTDOOR UNIT

## DRAIN SOCKET

Part No.	PAC-SG61DS-E
----------	--------------

## AIR OUTLET GUIDE

Part No.	PAC-SG59SG-E
----------	--------------

\* Need 2 pieces.

## AIR GUIDE

Part No.	PAC-SH63AG-E
----------	--------------

\* Need 2 pieces.

## DRAIN PAN

Part No.	PAC-SG64DP-E
----------	--------------

FILTER DRYER (For liquid line :  $\phi 9.52$ )

Part No.	PAC-SG82DR-E
----------	--------------

\* Only for R410A model (Do not use for R22 model.)

## Y-shape connection pipe

Part No.	PAC-AK52YP-E
----------	--------------

## 2-BRANCH PIPE (Joint) (In case of using 2-branch boxes)

Part No.	Connection method
MSDD-50AR-E	flare
MSDD-50BR-E	brazing

\* According to the connection method, you can choose the favourite one.

# **mitsubishi electric corporation**

HEAD OFFICE : TOKYO BLDG., 2-7-3, MARUNOUCHI, CHIYODA-KU, TOKYO100-8310, JAPAN

---